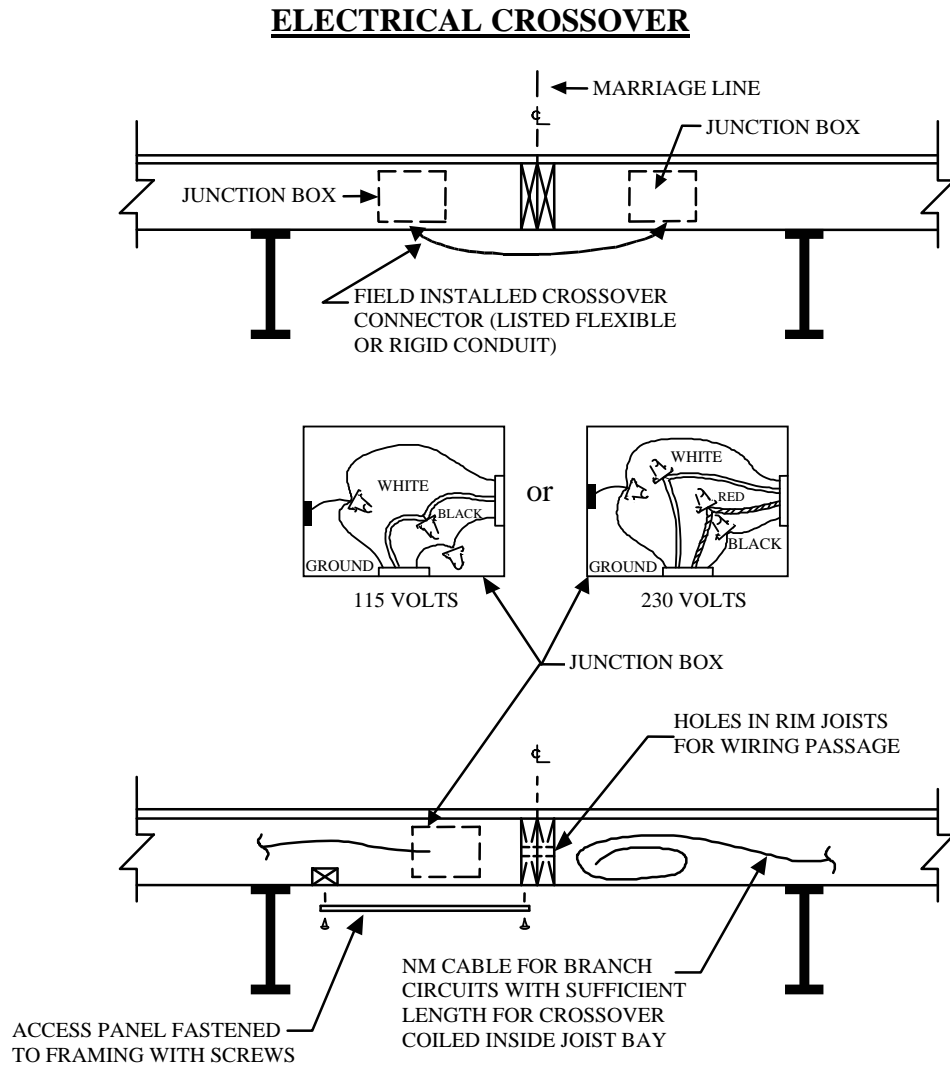


Figure: 10 TAC §80.25(j)(3)



NOTE:
ANY EXPOSED NM CABLE MUST BE PROTECTED BY
CONDUIT AND INSTALLED IN ACCORDANCE WITH
THE N.E.C.