

FEATURES:

Fixed Equipment:

- F1 Open casework – student coats and personal items
- F2 Tall wardrobe w/file drawers
- F3 Base & wall cabinets
- F4 Sink base cabinet
- F5 Chalk/marker board
- F6 Tack board
- F7 Pencil sharpener support
- F8 Windows with integral blinds
- F9 Towel dispenser
- F10 Soap dispenser
- F11 High storage cabinet
- F12 Tall cabinets
(could have tote trays, optional)

LOOSE FURNISHINGS:

- Student desks/tables
- Computer workstation furniture
- Student chairs
- Teacher workstation/computer support and chair
- File cabinet
- Low bookcases (fixed or mobile)
- Sand/water table
- Children's painting easel
- Teacher reading chair or stool
- Wastebasket
- Pencil sharpener

FINISHES:

Flooring:

- Carpet
- Resilient
- 4' width in front of cabinets
- Optional: All resilient

Base:

- Resilient base

Ceiling:

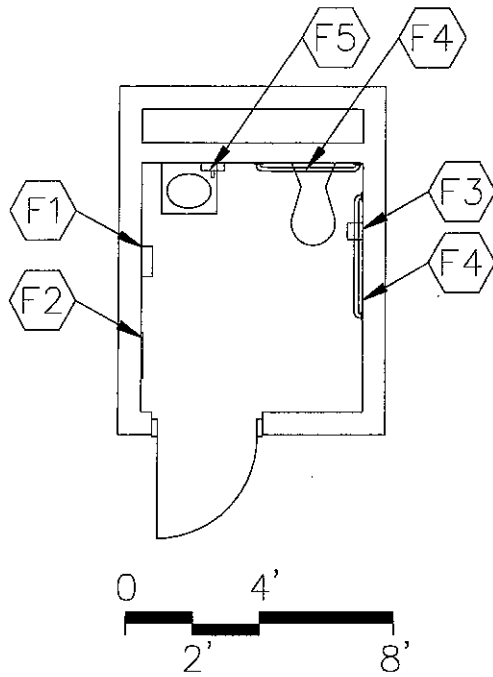
- Suspended, acoustical

Walls:

- Painted concrete masonry units

NOTES:

1. Electrical: duplex receptacles; multi-level switching
2. Technology: video port, data port, voice port & phone; data ports for students; clock; overhead projector
3. Plumbing: Sink with drinking fountain



FEATURES:

Fixed Equipment:

- F1 Towel dispenser
- F2 24" x 60" mirror
- F3 Toilet tissue holder
- F4 36" and 42" grab bar
- F5 Soap dispenser

LOOSE FURNISHINGS:

- Wastebasket

FINISHES:

Flooring:

- Resilient
- Optional: Ceramic mosaic tile, porcelain tile, or terrazzo

Base:

- Resilient base (optional: CMT, PT, or TER)

Ceiling:

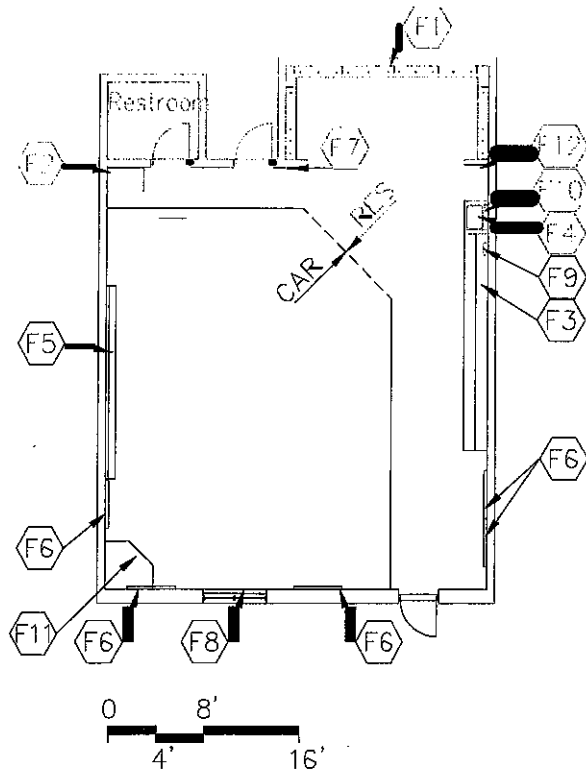
- Suspended, acoustical

Walls:

- Painted concrete masonry units

NOTES:

1. Plumbing: water closet and lavatory
2. Electrical: Single-level switching; receptacles



FEATURES:

Fixed Equipment:

- F1 Open casework – student coats and personal items
- F2 Tall wardrobe w/file drawers
- F3 Base & wall cabinets
- F4 Sink base cabinet
- F5 Chalk/marker board
- F6 Tack board
- F7 Pencil sharpener support
- F8 Windows with integral blinds
- F9 Towel dispenser
- F10 Soap dispenser
- F11 High storage cabinet
- F12 Tall cabinets
(could have tote trays, optional)

LOOSE FURNISHINGS:

- Student desks/tables
- Computer workstation furniture
- Student chairs
- Teacher workstation/computer support and chair
- File cabinet
- Low bookcases (fixed or mobile)
- Sand/water table
- Children's painting easel
- Teacher reading chair or stool
- Wastebasket
- Pencil sharpener

FINISHES:

Flooring:

- Carpet
- Resilient
- 4' width in front of cabinets or
- Optional: All resilient

Base:

- Resilient base

Ceiling:

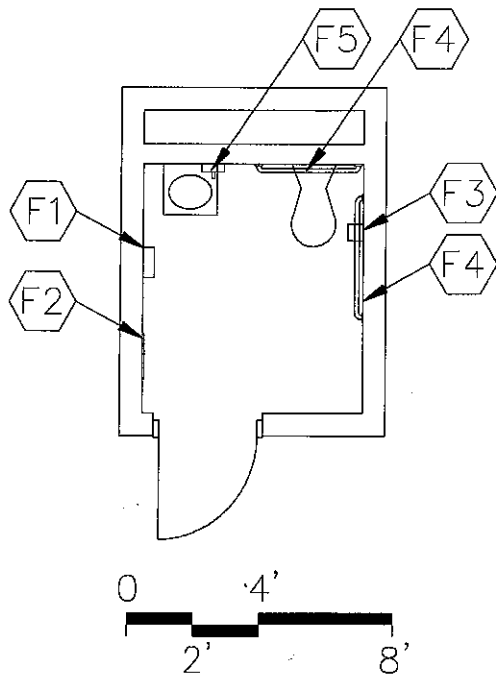
- Suspended, acoustical

Walls:

- Painted concrete masonry units

NOTES:

1. Electrical: duplex receptacles; multi-level switching
2. Technology: video port, data port, voice port & phone; (4) data ports for students; clock; overhead projector
3. Plumbing: Sink with drinking fountain



FEATURES:

Fixed Equipment:

- F1 Towel dispenser
- F2 24" x 60" mirror
- F3 Toilet tissue holder
- F4 36" and 42" grab bar
- F5 Soap dispenser

LOOSE FURNISHINGS:

- Wastebasket

FINISHES:

Flooring:

- Resilient
- Optional: Ceramic mosaic tile, porcelain tile, or terrazzo

Base:

- Resilient base (optional: CMT, PT, or TER)

Ceiling:

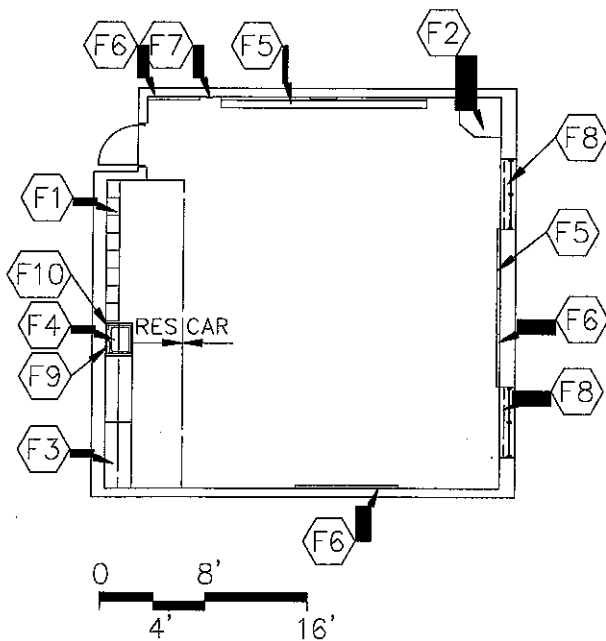
- Suspended, acoustical

Walls:

- Painted concrete masonry units

NOTES:

1. Plumbing: water closet and lavatory
2. Electrical: Single-level switching; no receptacles



FEATURES:

Fixed Equipment:

- F1 Open casework - coats
with wall cabinets above
- F2 Tall wardrobe w/file drawers
- F3 Base & wall cabinets
- F4 Sink base cabinet
- F5 Chalk/marker board
- F6 Tack board
- F7 Pencil sharpener support
- F8 Windows with integral blinds
- F9 Towel dispenser
- F10 Soap dispenser

LOOSE FURNISHINGS:

- Student desks/tables
- Computer workstation furniture
- Student chairs
- Teacher workstation/computer support and chair
- File cabinet
- Low bookcases (fixed or mobile)
- Reading table
- Wastebasket
- Pencil sharpener

FINISHES:

Flooring:

- Carpet
- Resilient
4' width in front of cabinets or
- Optional: All resilient

Base:

- Resilient base

Ceiling:

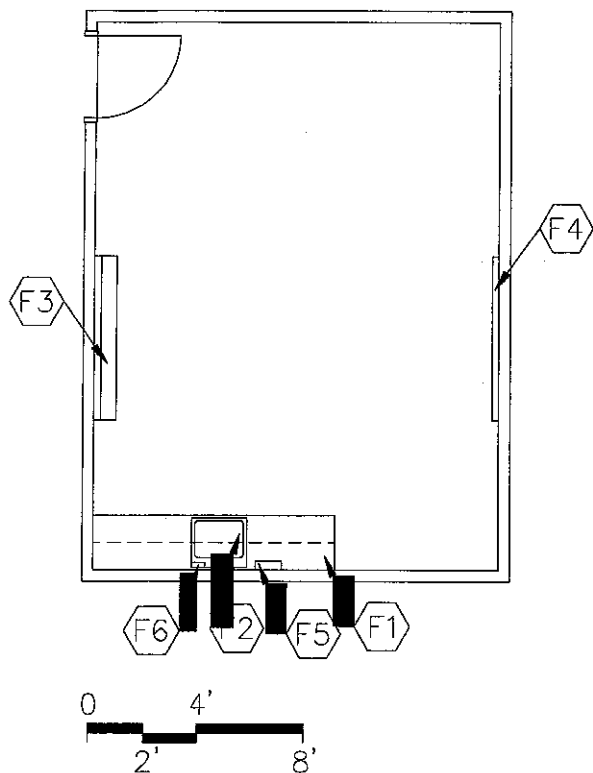
- Suspended, acoustical

Walls:

- Painted concrete masonry units

NOTES:

1. Electrical: duplex receptacles; multi-level switching
2. Technology: video port, data port, voice port & phone; data ports for students; clock; overhead projector
3. Plumbing: Sink with drinking fountain
4. Miscellaneous: Operable partition between classrooms is optional



FEATURES:

Fixed Equipment:

- F1 Base & wall cabinets
- F2 Sink base cabinet
- F3 Chalk/marker board
- F4 Tack board
- F5 Towel dispenser
- F6 Soap dispenser

LOOSE FURNISHINGS:

- Tables and chairs
- Computer workstation furniture
- Wastebasket

FINISHES:

Flooring:
Carpet

Base:

Resilient base

Ceiling:

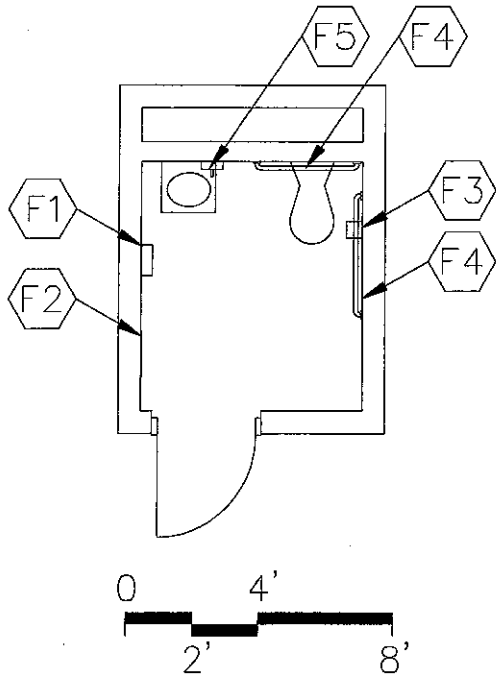
Suspended, acoustical

Walls:

Painted concrete masonry units

NOTES:

1. Electrical: duplex receptacles; single-level switching
2. Technology: video port, voice port & phone; clock; data ports
3. Plumbing: Sink



FEATURES:

Fixed Equipment:

- F1 Towel dispenser
- F2 24" x 60" mirror
- F3 Toilet tissue holder
- F4 36" and 42" grab bar
- F5 Soap dispenser

LOOSE FURNISHINGS:

- Wastebasket

FINISHES:

Flooring:

- Resilient
- Optional: Ceramic mosaic tile, porcelain tile, or terrazzo

Base:

- Resilient base (optional: CMT, PT, or TER)

Ceiling:

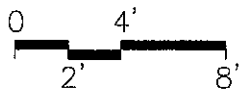
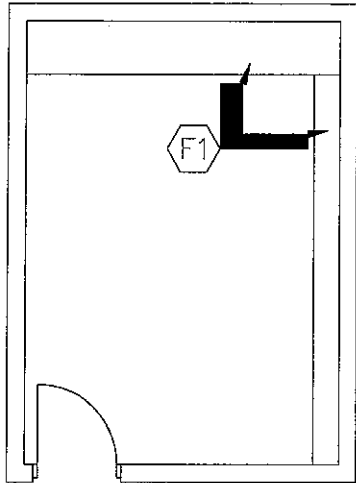
- Suspended, acoustical

Walls:

- Painted concrete masonry units

NOTES:

1. Plumbing: water closet and lavatory
2. Electrical: Single-level switching; no receptacles



FEATURES:

Fixed Equipment:

F1 Open metal shelving

LOOSE FURNISHINGS:

N/A

FINISHES:

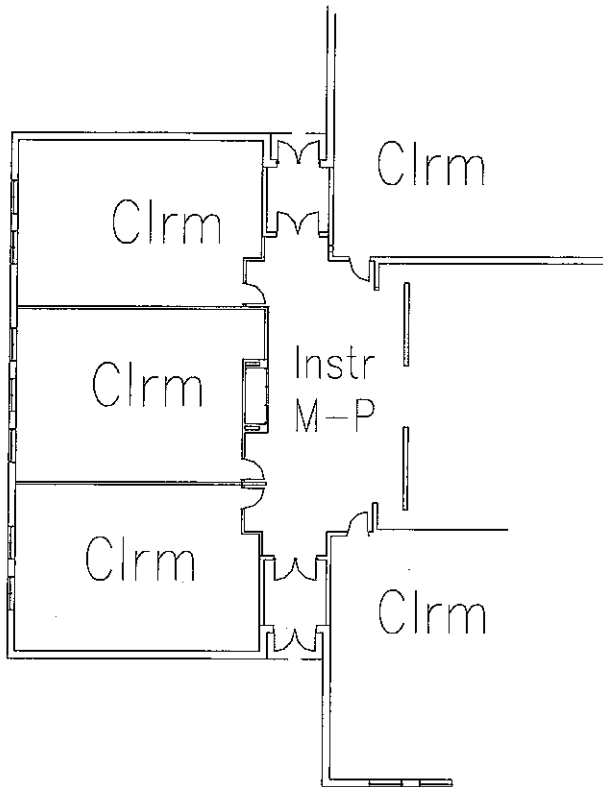
Flooring:
Sealed concrete

Base:
Resilient base
Ceiling:
Suspended, acoustical or painted structure
Walls:
Painted concrete masonry units

NOTES:

1. Electrical: (4) Duplex receptacle; single-level switching

Instructional and activity areas shall be accessible by corridors without passing through another instructional or activity area.



FEATURES:
Fixed Equipment:
NA

LOOSE FURNISHINGS:
NA

FINISHES:

Flooring:
Resilient, porcelain tile, or terrazzo

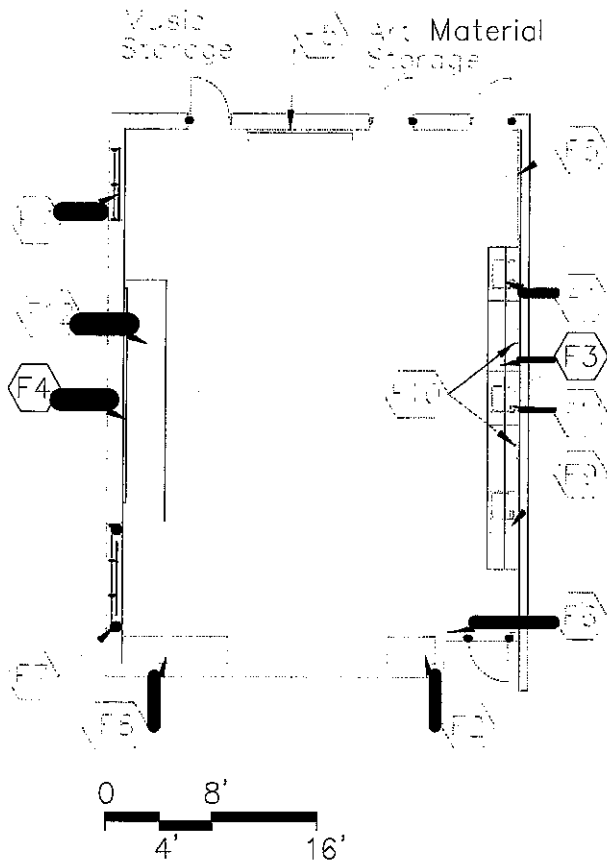
Base:
Resilient, porcelain tile, or terrazzo

Ceiling:
Suspended, acoustical

Walls:
Painted concrete masonry units

NOTES:

1. Electrical: Duplex receptacles; dual-level switching
2. Technology: Wireless access points; video ports; data ports



FEATURES:

Fixed Equipment:

- F1 Sink base cabinet, 30" deep
- F2 Tall wardrobe w/file drawers
- F3 Base cabinets, 30" deep
- F4 Tack board
- F5 Chalk/marker board
- F6 Pencil sharpener support
- F7 Windows with integral blinds
- F8 Tall storage cabinets
- F9 Wall cabinets
- F10 Towel dispensers
- F11 Soap dispensers
- F12 Bookcases, 12" deep

LOOSE FURNISHINGS:

- Student work tables
- Computer workstation furniture
- Student chairs or stools
- Teacher workstation/computer support and chair
- Drying rack
- Desk height file cabinet
- Wastebasket
- Pencil sharpener
- Portable risers
- Music stand and chairs
- Conductor podium
- Folding mobile cart for ORFF instruments

FINISHES:

Flooring:

Resilient or sealed concrete

Base:

Resilient base

Ceiling:

Suspended, acoustical

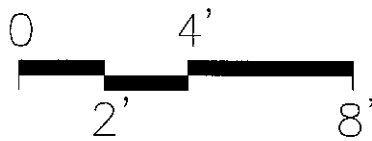
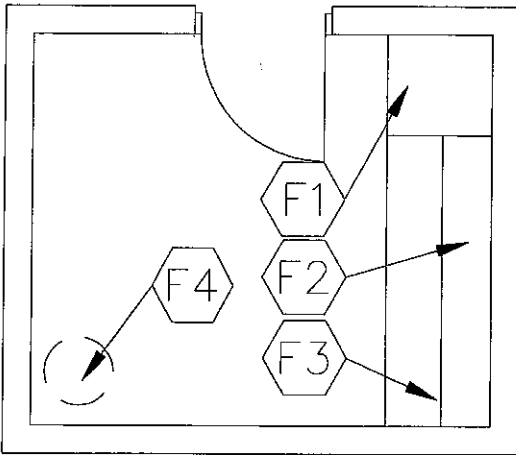
Walls:

Painted concrete masonry units

NOTES:

1. Electrical: duplex receptacles; multi-level switching; track lighting
2. Technology: video port, data port, voice port & phone; clock; overhead projector data ports for students
3. Plumbing: Sinks with solids interceptor and drinking fountain
4. HVAC: Manually operated exhaust system

FINE ARTS
ROOM



FEATURES:

Fixed Equipment:

- F1 Tall storage cabinet
- F2 Base cabinets, 30" deep
- F3 Wall cabinets, 12" deep
- F4 Kiln

LOOSE FURNISHINGS:

- Mobile materials cart
- Tall dry storage units
- Tall damp storage units

FINISHES:

Flooring:

Sealed concrete

Base:

Resilient base

Ceiling:

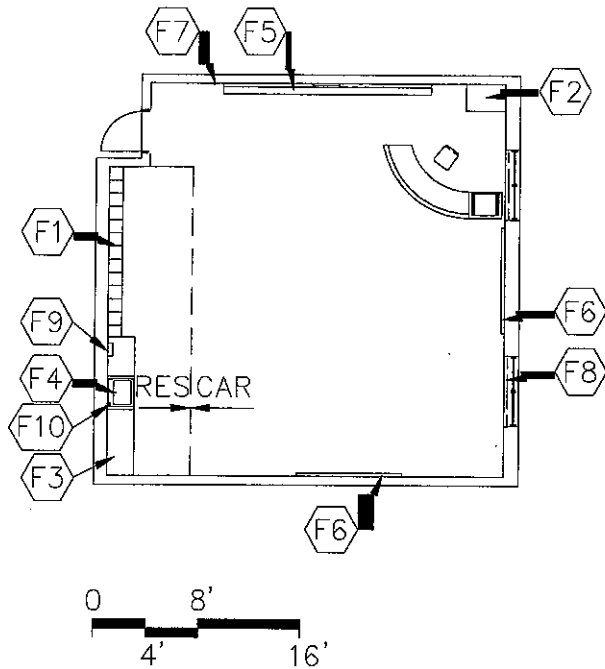
Suspended, acoustical or
Exposed, painted structure

Walls:

Painted concrete masonry units

NOTES:

1. Electrical: duplex receptacle; single-level switching; electrical connection for kiln
2. HVAC: Temperature controlled exhaust; ventilation for kiln

**FEATURES:****Fixed Equipment:**

- F1 Open casework – coats with wall cabinets above
- F2 Tall wardrobe w/file drawers
- F3 Base and wall cabinets
- F4 Sink base cabinet
- F5 Chalk/marker board
- F6 Tack board
- F7 Pencil sharpener support
- F8 Windows with integral blinds
- F9 Towel dispenser
- F10 Soap dispenser

LOOSE FURNISHINGS:

- Student desks/tables
- Student chairs
- Teacher workstation/computer support and chair
- Computer workstation furniture
- File cabinet
- Low bookcases (fixed or mobile)
- Reading table
- Wastebasket
- Pencil sharpener

FINISHES:**Flooring:**

- Carpet
- Resilient
- 4' width in front of cabinets or
- Optional: All resilient

Base:

- Resilient base

Ceiling:

- Suspended, acoustical

Walls:

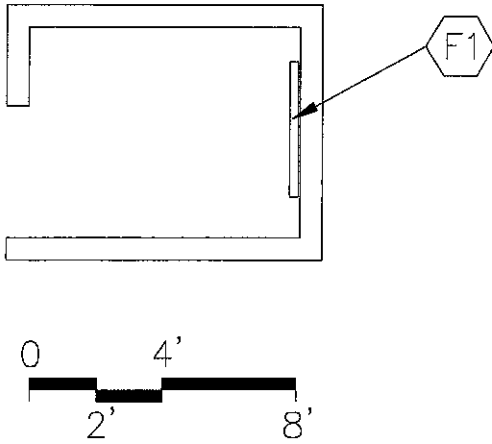
- Painted concrete masonry units

NOTES:

1. Electrical: duplex receptacles; multi-level switching
2. Technology: video port, data port, voice port & phone; data ports for students; clock; overhead projector
3. Plumbing: Sink with drinking fountain

FEATURES:
Fixed Equipment:
F1 Tack board

LOOSE FURNISHINGS:
Student desk and chair
Wastebasket

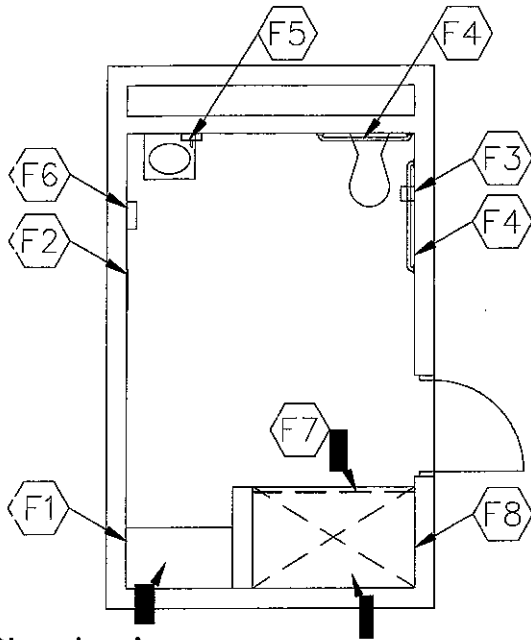


FINISHES:
Flooring:
Carpet

Base:
Resilient base
Ceiling:
Suspended, acoustical
Walls:
Painted concrete masonry units

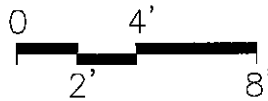
NOTES:

1. Electrical: duplex receptacle; dimmable lighting
2. Technology: Clock



Changing Area.
Storage of supplies
for health needs.

Shower-slope floor;
no raised threshold;
4' x 5' for two people



FEATURES:

Fixed Equipment:

- F1 Base cabinet
- F2 24" x 60" mirror
- F3 Toilet tissue holder
- F4 36" and 42" grab bar
- F5 Soap dispenser
- F6 Towel dispenser
- F7 Shower curtain and rod
- F8 ADA shower accessories

LOOSE FURNISHINGS:

Wastebasket

FINISHES:

Flooring:

Restroom - Resilient
Shower - Ceramic mosaic tile, porcelain tile, or
terrazzo

Base:

Restroom - Resilient base
Shower - Ceramic mosaic tile, porcelain tile, or
terrazzo

Ceiling:

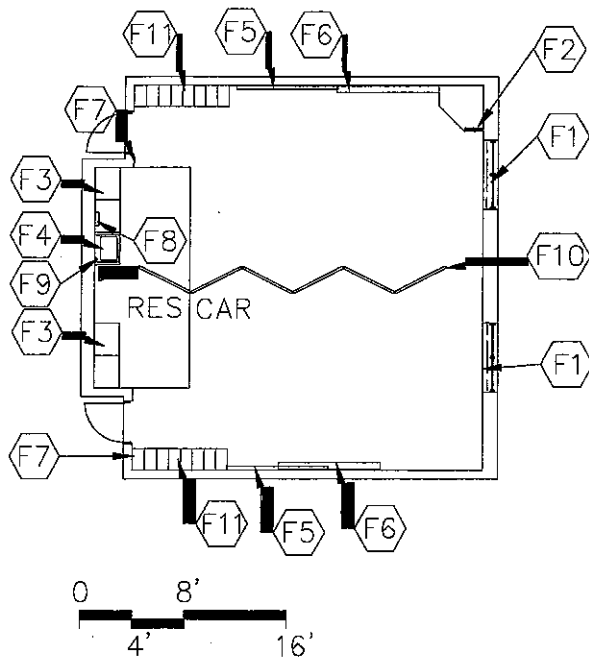
Restroom - Suspended, acoustical
Shower - Painted Portland cement plaster
or interior finish system

Walls:

Epoxy painted concrete masonry units

NOTES:

1. Plumbing: water closet and lavatory; ADA shower controls and head; floor drain
2. Electrical: duplex receptacles; single-level switching



FEATURES:

Fixed Equipment:

- F1 Windows with integral blinds
- F2 Tall wardrobe w/file drawers
- F3 Base cabinets
- F4 Sink base cabinet
- F5 Chalk/marker board
- F6 Tack board
- F7 Pencil sharpener support
- F8 Towel dispenser
- F9 Soap dispenser
- F10 Operable partition
- F11 Open casework-coats with wall cabinets above

LOOSE FURNISHINGS:

- Student desks/tables
- Computer workstation furniture
- Student chairs
- Teacher desk or workstation/computer support and chair
- File cabinet
- Mobile bookcases or storage unit
- Wastebasket
- Pencil sharpener

FINISHES:

Flooring:

- Carpet
- Resilient
- 4' width in front of cabinets

Base:

- Resilient base

Ceiling:

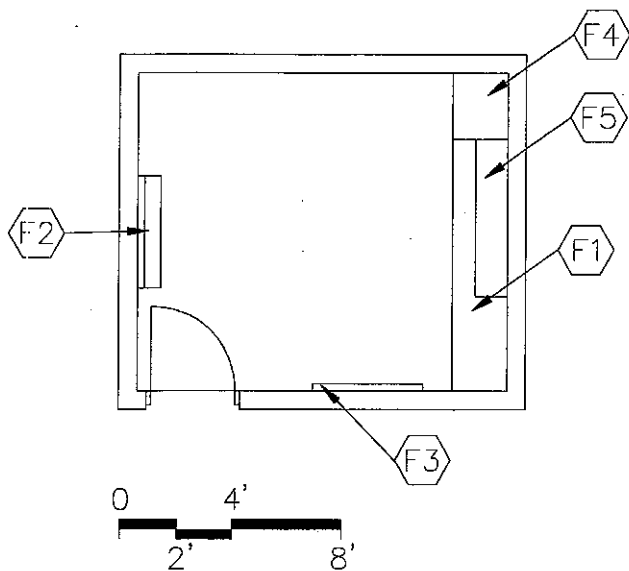
- Suspended, acoustical

Walls:

- Painted concrete masonry units

NOTES:

1. Plumbing: Sink
2. Electrical: duplex receptacles; multi-level switching
3. Technology: video port, data port, voice port & phone; data ports for students; clock; overhead projector



FEATURES:

Fixed Equipment:

- F1 Work surface with file drawers
- F2 Chalk/marker board
- F3 Tack board
- F4 Tall wardrobe
- F5 Wall cabinets

LOOSE FURNISHINGS:

- Desk and chair
- Computer desk return
- Small table with chairs
- Wastebasket

FINISHES:

Flooring:
Carpet

Base:

Resilient base

Ceiling:

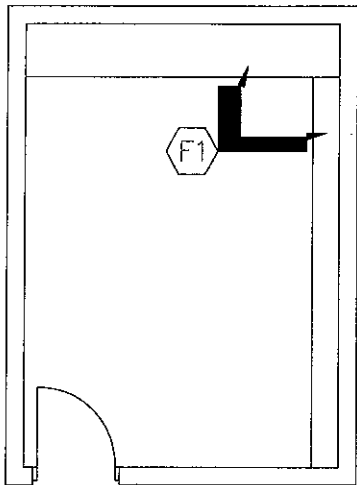
Suspended, acoustical

Walls:

Painted gypsum wallboard
over metal studs

NOTES:

1. Electrical: duplex receptacles; single-level switching
2. Technology: data port, video port, voice port & phone; clock



FEATURES:
Fixed Equipment:
F1 Open metal shelving

LOOSE FURNISHINGS:
N/A

FINISHES:

Flooring:
Resilient

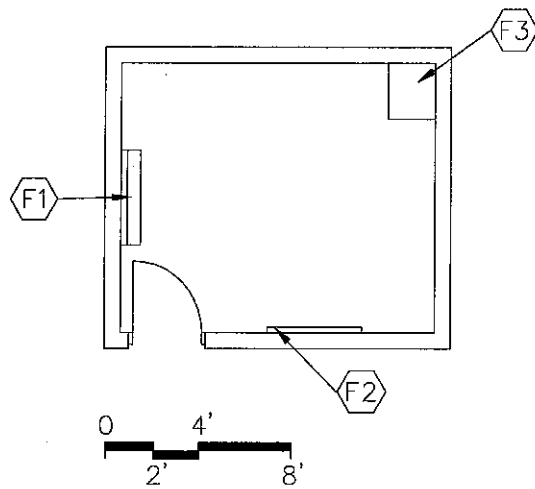
Base:
Resilient base

Ceiling:
Suspended, acoustical or painted structure

Walls:
Painted concrete masonry units

NOTES:

1. Electrical: duplex receptacle; single-level switching



FEATURES:

Fixed Equipment:

- F1 Chalk/marker board
- F2 Tack board
- F3 Wall cabinets

LOOSE FURNISHINGS:

- Chairs
- Wastebasket

FINISHES:

Flooring:
Carpet

Base:

Resilient base

Ceiling:

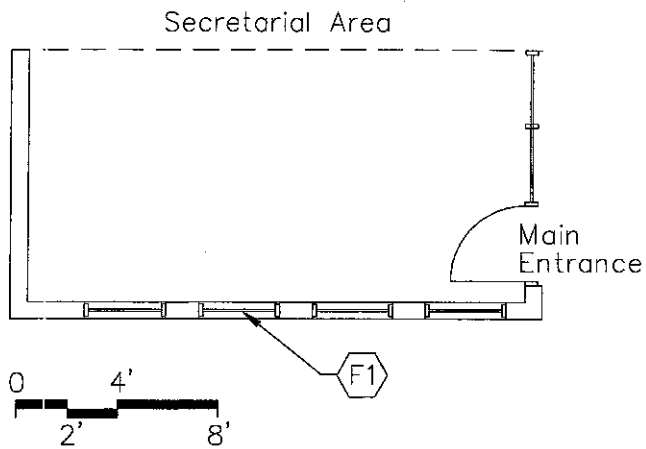
Suspended, acoustical

Walls:

Painted gypsum wallboard
over metal studs

NOTES:

1. Electrical: duplex receptacles; single-level switching
2. Technology: data port, video port, voice port & phone; clock



FEATURES:
Fixed Equipment:
F1 Interior windows

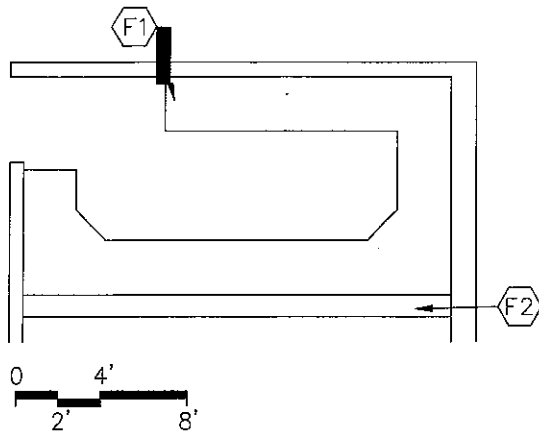
LOOSE FURNISHINGS:
Visitor chairs
End table
Wastebasket

FINISHES:
Flooring:
Carpet

Base:
Resilient base
Ceiling:
Suspended, acoustical
Walls:
Painted gypsum wallboard
over metal studs

NOTES:

1. Electrical: duplex receptacles; single-level switching
2. Technology: video port, voice port & phone; clock



FEATURES:

Fixed Equipment:

- F1 Work surface with file drawers
- F2 High counter top

LOOSE FURNISHINGS:

- Secretarial chair(s)
- Wastebasket(s)

FINISHES:

Flooring:
Carpet

Base:

Resilient base

Ceiling:

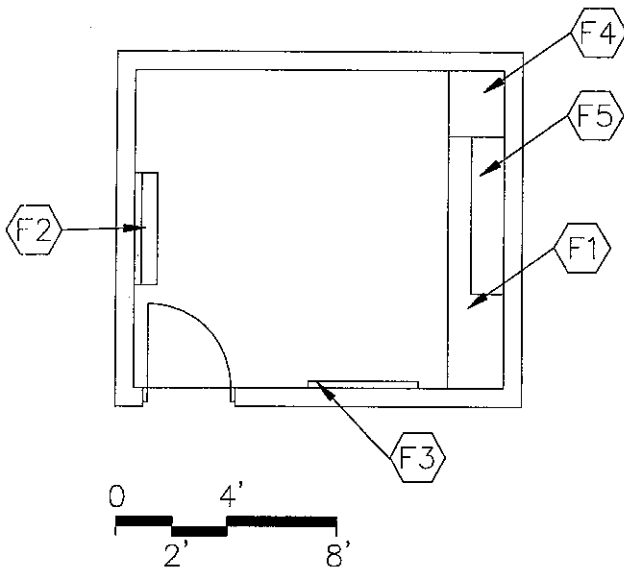
Suspended, acoustical

Walls:

Painted gypsum wallboard
over metal studs

NOTES:

1. Electrical: duplex receptacles; single-level switching
2. Technology: data port, voice port & phone at each secretarial station; fax port, data port for printer; clock
3. Miscellaneous: fax machine; printer; computer/typewriter



FEATURES:

Fixed Equipment:

- F1 Work surface with file drawers
- F2 Chalk/marker board
- F3 Tack board
- F4 Tall wardrobe
- F5 Wall cabinets

LOOSE FURNISHINGS:

- Desk and chair
- Computer desk return
- Visitor chairs
- Wastebasket(s)

FINISHES:

Flooring:

Carpet

Base:

Resilient base

Ceiling:

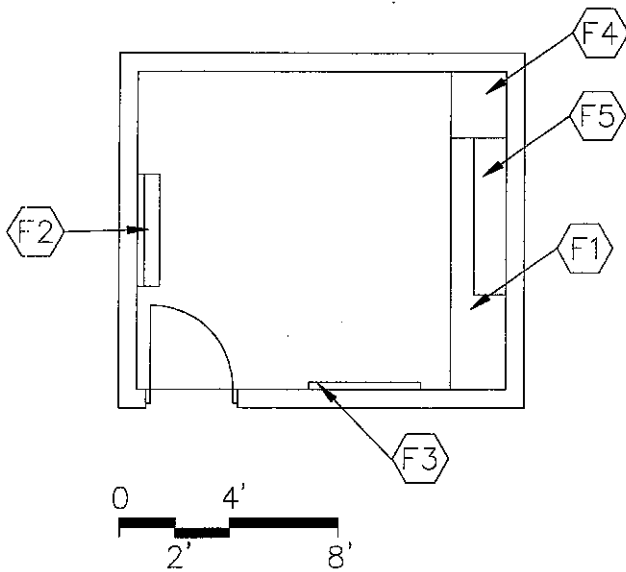
Suspended, acoustical

Walls:

Painted gypsum wallboard
over metal studs

NOTES:

1. Electrical: duplex receptacles; single-level switching
2. Technology: data port, video port, voice port & phone; clock



FEATURES:

Fixed Equipment:

- F1 Work surface with file drawers
- F2 Chalk/marker board
- F3 Tack board
- F4 Tall wardrobe
- F5 Wall cabinets

LOOSE FURNISHINGS:

- Desk and chair
- Computer desk return
- Visitor chairs
- Wastebasket(s)

FINISHES:

Flooring:
Carpet

Base:

Resilient base

Ceiling:

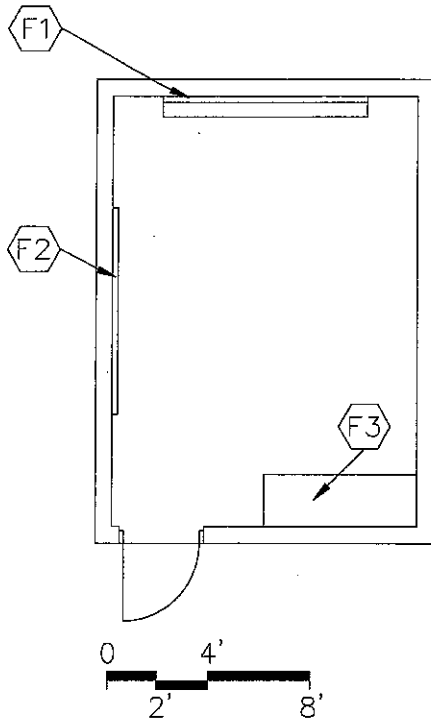
Suspended, acoustical

Walls:

Painted gypsum wallboard
over metal studs

NOTES:

1. Electrical: duplex receptacles; single-level switching
2. Technology: data port, video port, voice port & phone; clock



FEATURES:

Fixed Equipment:

- F1 Chalk/marker board
- F2 Tack board
- F3 Base cabinets

LOOSE FURNISHINGS:

- Conference table
- Chairs
- Wastebasket

FINISHES:

Flooring:
Carpet

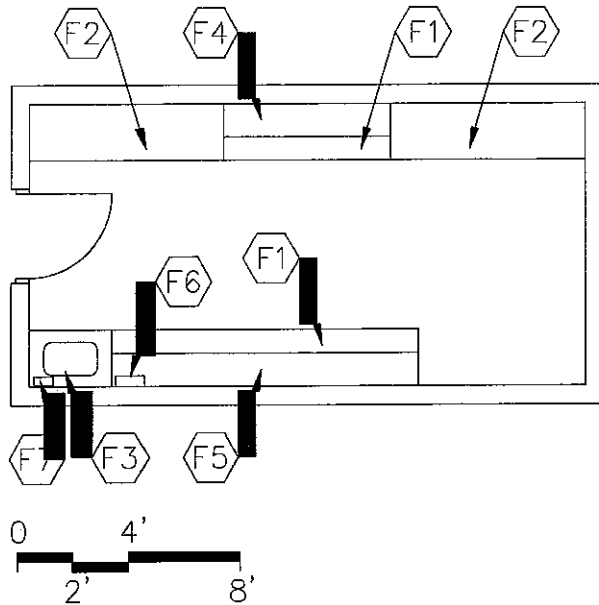
Base:
Resilient base

Ceiling:
Suspended, acoustical

Walls:
Painted gypsum wallboard
over metal studs

NOTES:

1. Electrical: duplex receptacles; multi-level switching
2. Technology: data port, voice port & phone, video port and video display device; clock



- FEATURES: Fixed
Equipment: F1
Base cabinets
F2 Tall storage cabinets
F3 Sink base cabinet
F4 Mail cubicles
F5 Wall cabinets
F6 Towel dispenser
F7 Soap dispenser

- LOOSE FURNISHINGS:
Worktable
Wastebasket

FINISHES:
Flooring:
Resilient

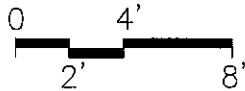
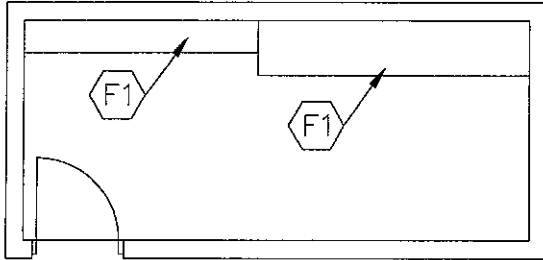
Base:
Resilient base
Ceiling:
Suspended, acoustical
Walls:
Painted gypsum wallboard over
metal studs

NOTES:

1. Electrical: duplex receptacles; single-level switching; receptacle for copier
2. Technology: voice port & phone; clock
3. Plumbing: Sink
4. Miscellaneous: Copier

FEATURES:
Fixed Equipment:
F1 Open metal shelving

LOOSE FURNISHINGS:
File cabinets



FINISHES:

Flooring:
Resilient

structure

Base:
Resilient base

Ceiling:
Suspended, acoustical or painted

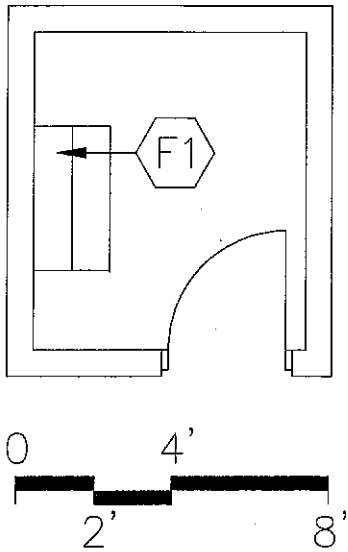
Walls:
Painted concrete masonry units

NOTES:

1. Electrical: duplex receptacle; single-level switching

FEATURES:
Fixed Equipment:
F1 Open metal shelving

LOOSE FURNISHINGS:
File cabinet
Safe

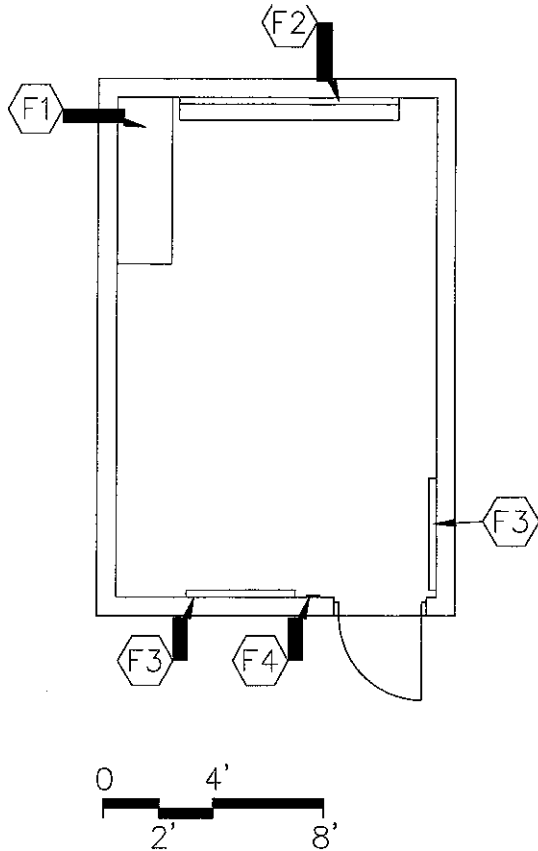


FINISHES:
Flooring:
Sealed concrete

Base:
Resilient base
Ceiling:
Rated 2-hour construction
Walls:
Painted concrete masonry units;
Rated 2-hour construction

NOTES:

1. Electrical: duplex receptacle; single-level switching



FEATURES:

Fixed Equipment:

- F1 Base cabinets
- F2 Chalk/marker board
- F3 Tack board
- F4 Pencil sharpener support

LOOSE FURNISHINGS:

- Student carrels and/or desks
- Student chairs
- Teacher desk and chair
- Computer workstation furniture
- Wastebasket
- Pencil sharpener

FINISHES:

Flooring:

Carpet

Base:

Resilient base

Ceiling:

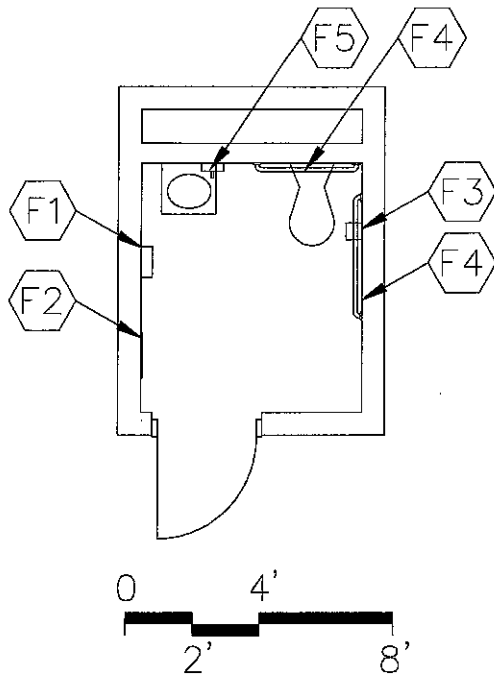
Suspended, acoustical

Walls:

Painted concrete masonry units

NOTES:

1. Electrical: duplex receptacles; single-level switching
2. Technology: video port, data port, voice port & phone; data ports for students; clock



FEATURES:

Fixed Equipment:

- F1 Towel dispenser
- F2 24" x 60" mirror
- F3 Toilet tissue holder
- F4 36" and 42" grab bar
- F5 Soap dispenser

LOOSE FURNISHINGS:

- Wastebasket

FINISHES:

Flooring:

- Resilient
- Optional: ceramic mosaic tile, porcelain tile, or terrazzo

Base:

- Resilient base (optional: CMT, PT, orTER)

Ceiling:

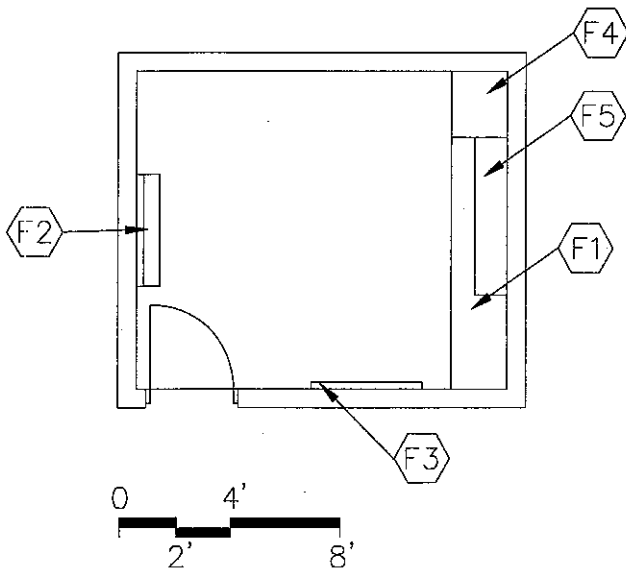
- Suspended, acoustical

Walls:

- Painted concrete masonry units

NOTES:

1. Plumbing: water closet and lavatory
2. Electrical: duplex receptacle; single-level switching



FEATURES:

Fixed Equipment:

- F1 Work surface with file drawers
- F2 Chalk/marker board
- F3 Tack board
- F4 Tall wardrobe
- F5 Wall cabinets

LOOSE FURNISHINGS:

- Desk and chair
- Computer desk return
- Visitor chairs
- Wastebasket

FINISHES:

Flooring:

Carpet

Base:

Resilient base

Ceiling:

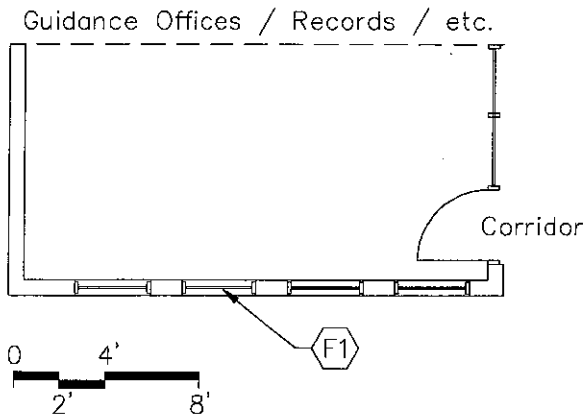
Suspended, acoustical

Walls:

Painted gypsum wallboard
over metal studs

NOTES:

1. Electrical: duplex receptacles; single-level switching
2. Technology: data port, video port, voice port & phone; clock



FEATURES:
Fixed Equipment:
F1 Interior windows

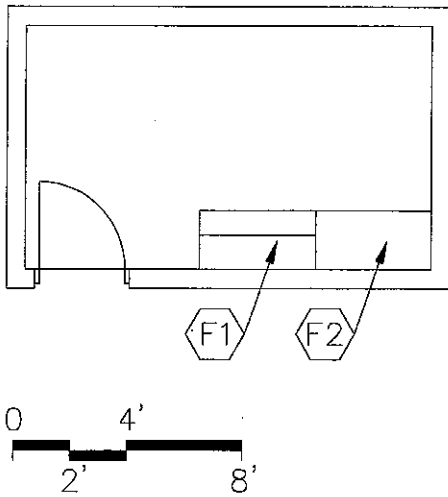
LOOSE FURNISHINGS:
Visitor chairs
End table
Wastebasket

FINISHES:
Flooring:
Carpet

Base:
Resilient base
Ceiling:
Suspended, acoustical
Walls:
Painted gypsum wallboard
over metal studs

NOTES:

1. Electrical: duplex receptacles; single-level switching
2. Technology: video port, voice port & phone; clock



FEATURES:

Fixed Equipment:

- F1 Base and wall cabinets
- F2 Tall storage cabinets

LOOSE FURNISHINGS:

File cabinets

FINISHES:

Flooring:
Resilient

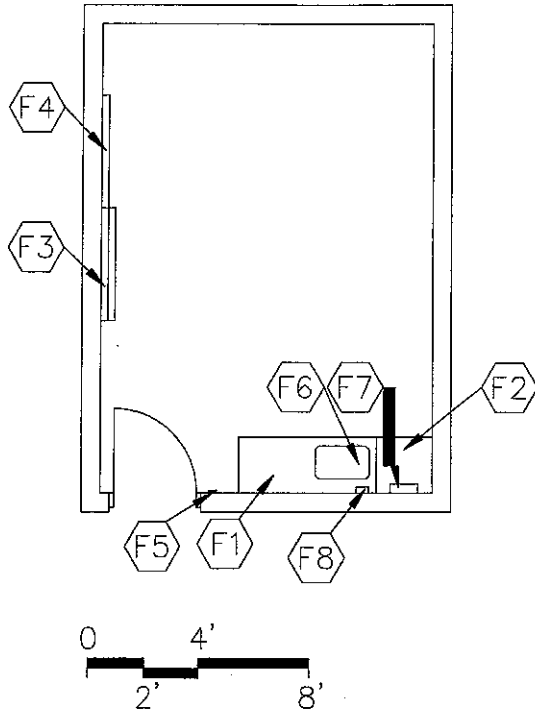
Base:
Resilient base

Ceiling:
Rated 2-hour construction

Walls:
Painted gypsum wallboard over
metal studs; Rated 2 hour construction

NOTES:

1. Electrical: duplex receptacle; single-level switching



FEATURES:

Fixed Equipment:

- F1 Base cabinets
- F2 Tall wardrobe
- F3 Chalk/marker board
- F4 Tack board
- F5 Pencil sharpener support
- F6 Sink base cabinet
- F7 Towel dispenser
- F8 Soap dispenser

LOOSE FURNISHINGS:

- Tables and chairs
- Computer workstation furniture
- Wastebasket
- Pencil sharpener

FINISHES:

Flooring:

Carpet

Base:

Resilient base

Ceiling:

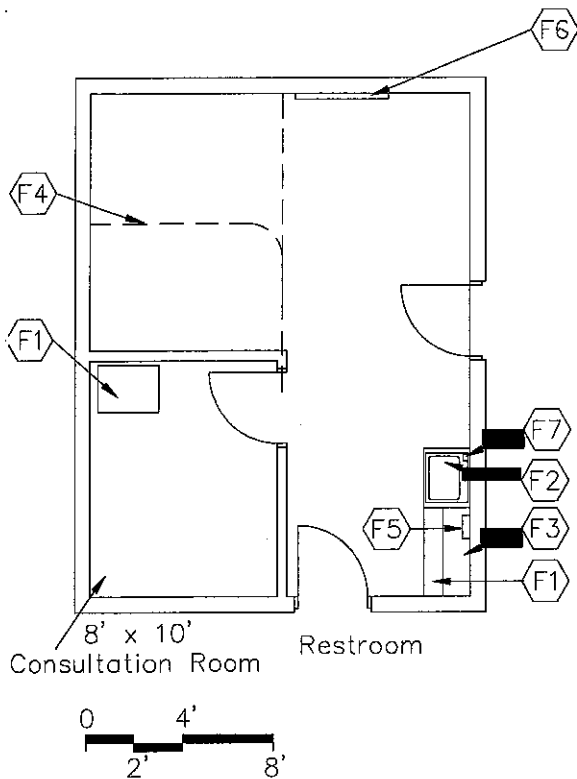
Suspended, acoustical

Walls:

Painted gypsum wallboard over metal studs

NOTES:

1. Electrical: duplex receptacles; single-level switching
2. Technology: video port, video display device, voice port & phone; data port; clock
3. Plumbing: Sink



FEATURES:

Fixed Equipment:

- F1 Base cabinets
- F2 Sink base cabinet
- F3 Wall cabinets; lockable
- F4 Cubicle curtain and track
- F5 Towel dispenser
- F6 Tack board
- F7 Soap dispenser

LOOSE FURNISHINGS:

- Cots
- Refrigerator with ice making capabilities
- Desk and chair
- Chairs Stool
- Wastebasket

FINISHES:

Flooring:

Seamless sheet vinyl

Base:

Resilient base

Ceiling:

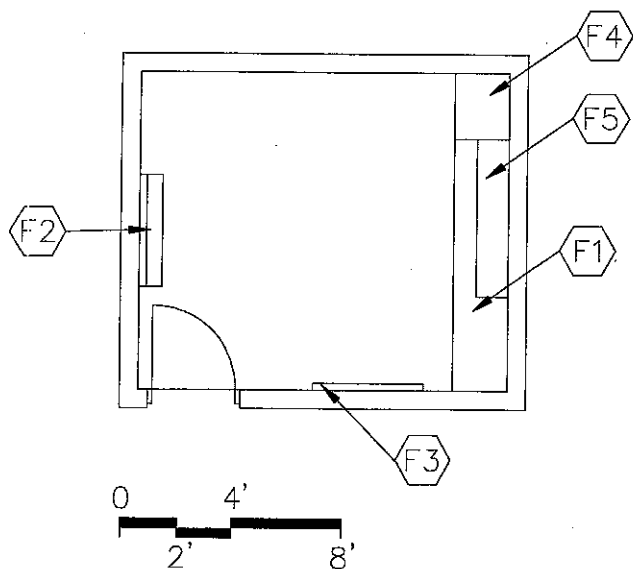
Suspended, acoustical

Walls:

Painted gypsum wallboard over metal studs

NOTES:

1. Electrical: duplex receptacles; single-level switching; receptacle for refrigerator
2. Technology: voice port & phone; data port; clock
3. Plumbing: Sink
4. Restroom must be located adjacent to health clinic



FEATURES:

Fixed Equipment:

- F1 Work surface with file drawers
- F2 Chalk/marker board
- F3 Tack board
- F4 Tall wardrobe
- F5 Wall cabinets

LOOSE FURNISHINGS:

- Desk and chair
- Computer desk return
- Visitor chairs
- Wastebasket(s)

FINISHES:

Flooring:
Carpet

Base:

Resilient base

Ceiling:

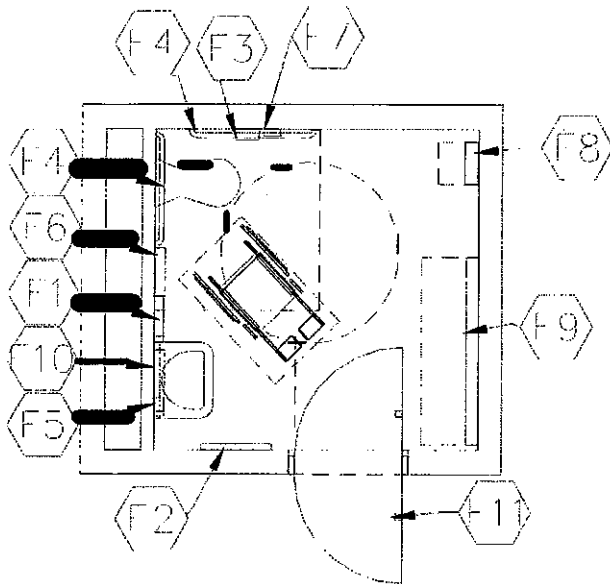
Suspended, acoustical

Walls:

Painted gypsum wallboard
over metal studs

NOTES:

1. Electrical: duplex receptacles; single-level switching
2. Technology: data port, video port, voice port & phone; clock



FEATURES:

Fixed Equipment:

- F1 Towel dispenser
- F2 24" x 60" mirror
- F3 Toilet tissue holder
- F4 36" and 42" grab bar
- F5 Soap dispenser
- F6 Sanitary napkin dispenser/disposal
- F7 Folding utility shelf
- F8 Mounted child seat
- F9 Adult/child changing station
- F10 16" x 24" mirror with shelf
- F11 Coat hooks

LOOSE FURNISHINGS:

- Wastebasket

FINISHES:

Flooring:

Resilient
TER)

Optional: ceramic mosaic tile, porcelain tile, or
terrazzo

Base:

Resilient base (optional: CMT, PT, or

Ceiling:

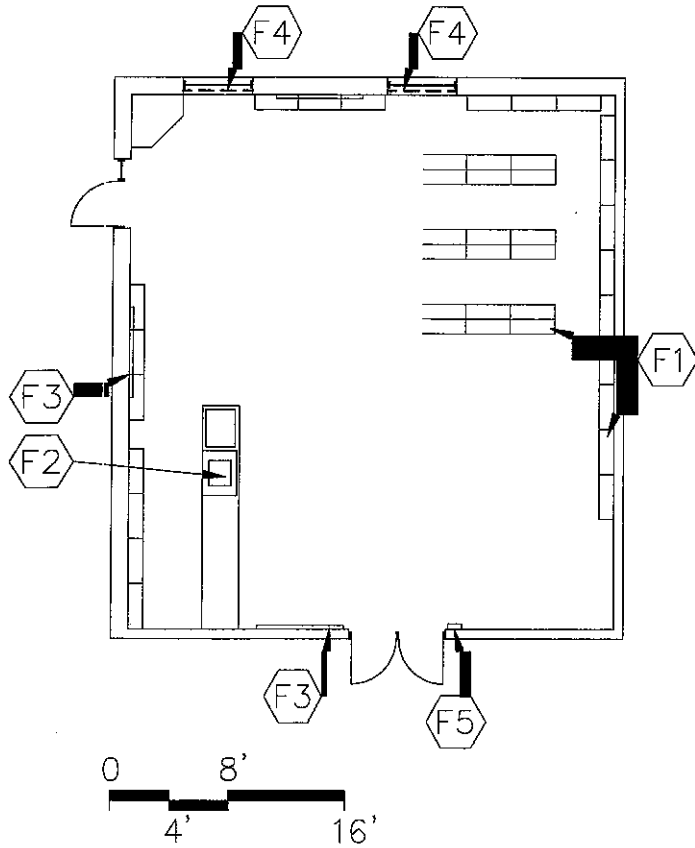
Suspended, acoustical

Walls:

Painted concrete masonry units

NOTES:

1. Plumbing: water closet and lavatory; floor drain
2. Electrical: duplex receptacle; single-level switching



FEATURES:

Fixed Equipment:

- F1 Library book shelving
- F2 Circulation desk casework
- F3 Tack board
- F4 Windows with integral blinds
- F5 Pencil sharpener support

LOOSE FURNISHINGS:

- Student tables and chairs
- Computer workstation furniture
- Circulation desk task chair
- Atlas stand
- Paperback book rack
- Modular picture book display
- Wastebaskets
- Pencil sharpener

FINISHES:

Flooring:
Carpet

Base:

Resilient base

Ceiling:

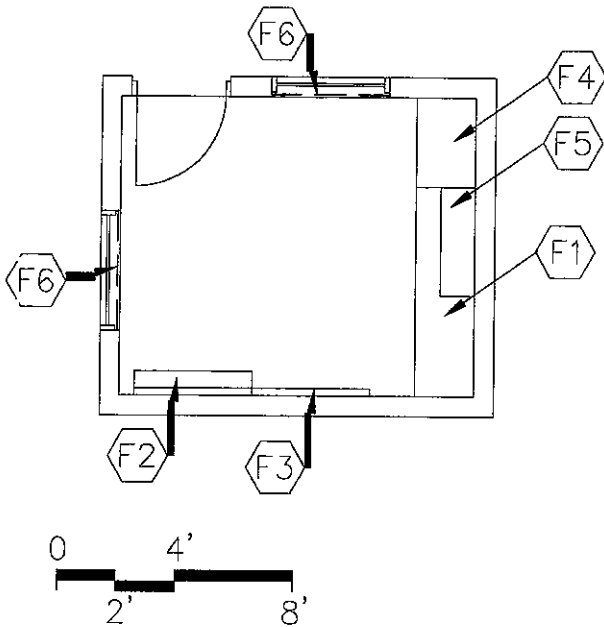
Suspended, acoustical

Walls:

Painted concrete masonry units

NOTES:

1. Electrical: duplex receptacles; single-level switching
2. Technology: video ports and video display devices, voice port & phone; data ports for students; data port for library automation system; clock
3. Miscellaneous: Various sizes of casework for dictionaries, magazines, card catalog, etc.



FEATURES:

Fixed Equipment:

- F1 Work surface with file drawers
- F2 Chalk/marker board
- F3 Tack board
- F4 Tall wardrobe
- F5 Wall cabinets
- F6 Interior window

LOOSE FURNISHINGS:

- Desk and chair
- Computer desk return
- Visitor chairs
- File cabinet
- Wastebasket(s)

FINISHES:

Flooring:
 Carpet

Base:

Resilient base

Ceiling:

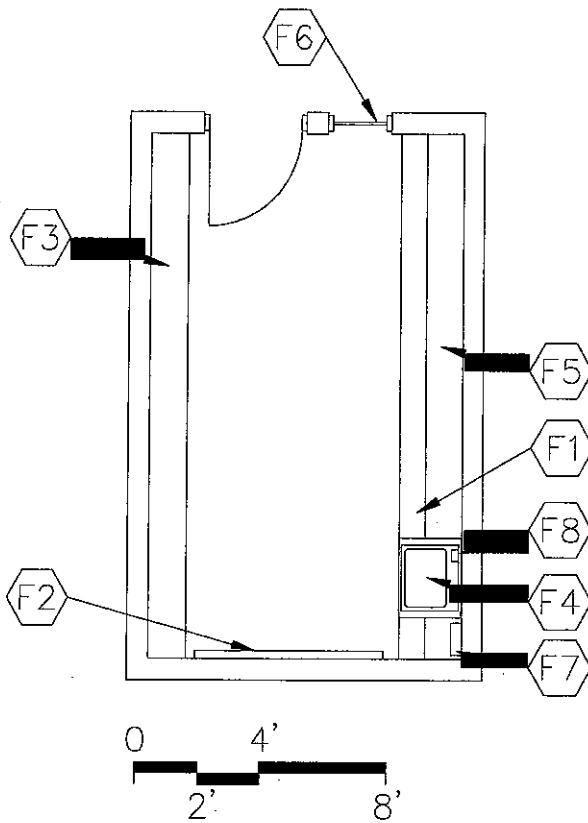
Suspended, acoustical

Walls:

Painted concrete masonry units

NOTES:

1. Electrical: duplex receptacles; single-level switching
2. Technology: data port, video port, voice port & phone; clock



- FEATURES: Fixed Equipment:**
- F1 Base cabinets
 - F2 Tack board
 - F3 Bookcases
 - F4 Sink base cabinet
 - F5 Wall cabinets
 - F6 Interior window
 - F7 Towel dispenser
 - F8 Soap dispenser

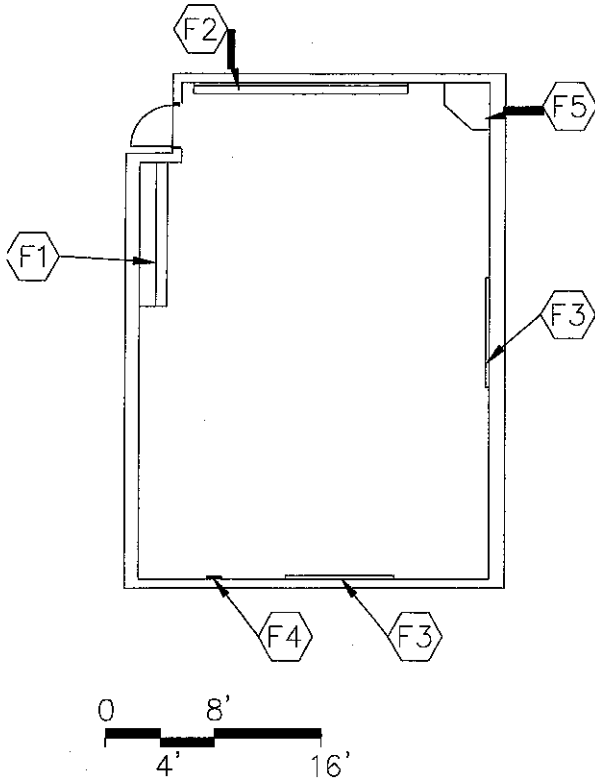
- LOOSE FURNISHINGS:**
- Tables and chairs
 - Book trucks
 - Wastebasket

FINISHES:
Flooring:
Resilient

Base:
Resilient base
Ceiling:
Suspended, acoustical
Walls:
Painted concrete masonry units

NOTES:

1. Electrical: duplex receptacles; single-level switching
2. Technology: data port, voice port & phone; clock
3. Plumbing: Sink



FEATURES:

Fixed Equipment:

- F1 Base & wall cabinets
- F2 Chalk/marker board
- F3 Tack board
- F4 Pencil sharpener support
- F5 Tall wardrobe with file drawers

LOOSE FURNISHINGS:

- Computer workstation furniture
- Student chairs
- Teacher workstation/computer support and chair
- File cabinet
- Wastebasket
- Pencil sharpener

FINISHES:

Flooring:

Carpet

Base:

Resilient base

Ceiling:

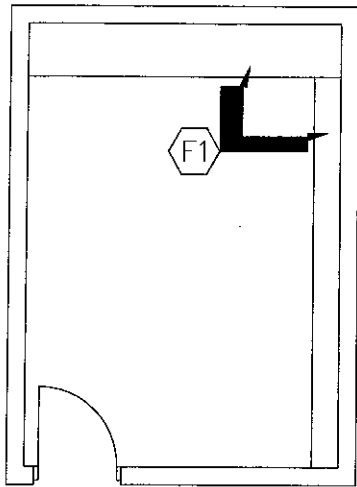
Suspended, acoustical

Walls:

Painted concrete masonry units

NOTES:

1. Electrical: duplex receptacles; multi-level switching
2. Technology: video port, voice port & phone; data port near teacher workstation; clock; overhead projector; classroom area network (26 ports minimum)
3. Miscellaneous: Classroom area network file server; printer



FEATURES:
Fixed Equipment:
F1 Tall shelving

LOOSE FURNISHINGS:
Desk and chair
Wastebasket

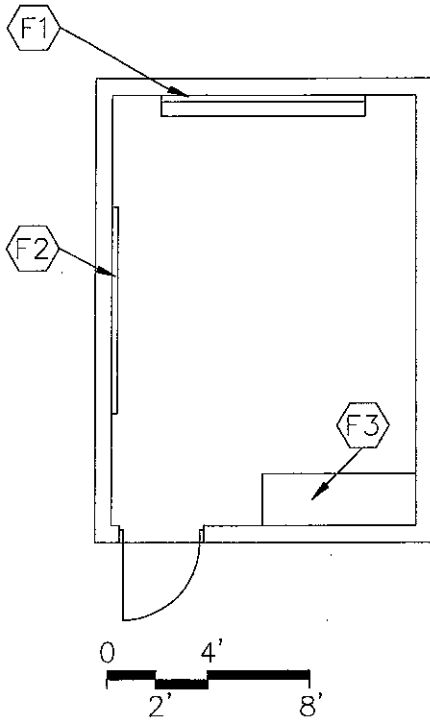
FINISHES:
Flooring:
Resilient

structure

Base:
Resilient base
Ceiling:
Suspended, acoustical or painted
Walls:
Painted concrete masonry units

NOTES:

1. Electrical: duplex receptacles; single-level switching
2. Technology: data port, voice port and phone



FEATURES:

Fixed Equipment:

- F1 Chalk/marker board
- F2 Tack board
- F3 Base cabinets

LOOSE FURNISHINGS:

- Conference table
- Chairs
- Wastebasket

FINISHES:

Flooring:

Carpet

Base:

Resilient base

Ceiling:

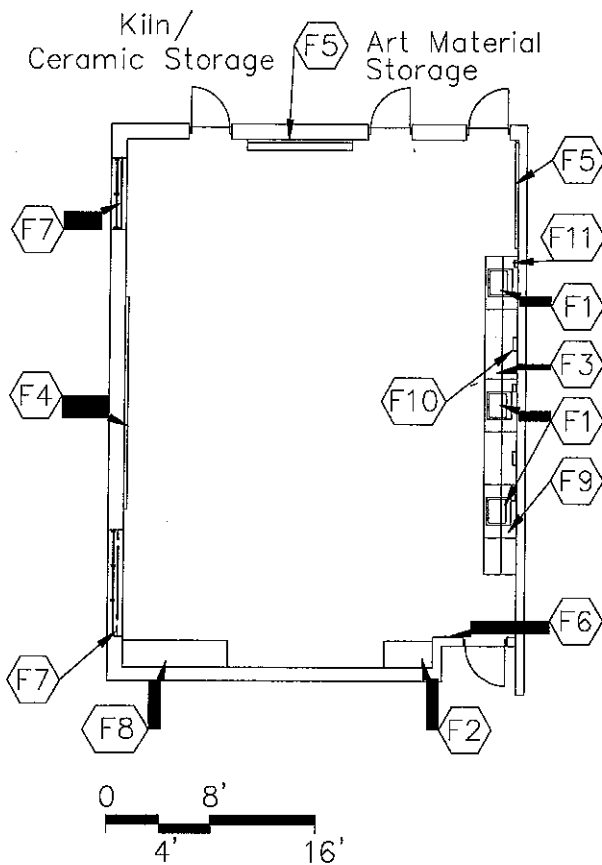
Suspended, acoustical

Walls:

Painted concrete masonry units

NOTES:

1. Electrical: duplex receptacles; multi-level switching
2. Technology: data port, voice port & phone, video port and video display device; clock



FEATURES:

Fixed Equipment:

- F1 Sink base cabinet, 30" deep
- F2 Tall wardrobe w/file drawers
- F3 Base cabinets, 30" deep
- F4 Tack board
- F5 Chalk/marker board
- F6 Pencil sharpener support
- F7 Windows with integral blinds
- F8 Tall storage cabinets
- F9 Wall cabinets
- F10 Towel dispensers
- F11 Soap dispensers

LOOSE FURNISHINGS:

- Student work tables
- Computer workstation furniture
- Student chairs or stools
- Teacher workstation/computer support and chair
- Drying rack
- Desk height file cabinet
- Wastebasket
- Pencil sharpener

FINISHES:

Flooring:

Resilient or sealed concrete

Base:

Resilient base

Ceiling:

Suspended, acoustical

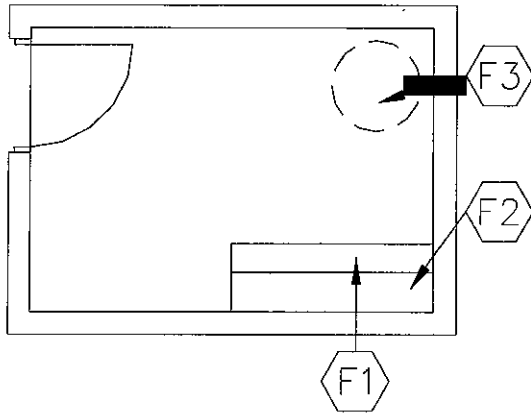
Walls:

Painted concrete masonry units

NOTES:

1. Electrical: duplex receptacles; multi-level switching; track lighting
2. Technology: video port, data port, voice port & phone; clock; overhead projector
{data ports for students
3. Plumbing: Sinks with solids interceptor
4. HVAC: Manually operated exhaust air system

Art Room



FEATURES:

Fixed Equipment:

- F1 Base cabinets
- F2 Wall cabinets
- F3 Kiln

LOOSE FURNISHINGS:

- Tall dry storage units
- Tall damp storage units

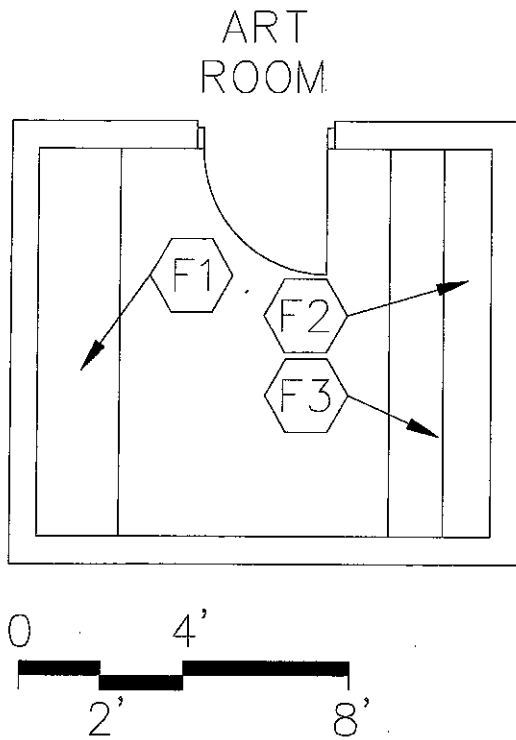
FINISHES:

Flooring:
Sealed concrete

Base:
Resilient base
Ceiling:
Suspended, acoustical
Walls:
Painted concrete masonry units

NOTES:

1. Electrical: duplex receptacle; single-level switching; electrical connection for kiln
2. HVAC: Temperature controlled exhaust; ventilation for kiln



FEATURES:

Fixed Equipment:

- F1 Tall storage cabinets
- F2 Base cabinets, 30" deep
- F3 Wall cabinets, 12" deep

LOOSE FURNISHINGS:

- Mobile materials cart

FINISHES:

Flooring:
Resilient

Base:

Resilient base

Ceiling:

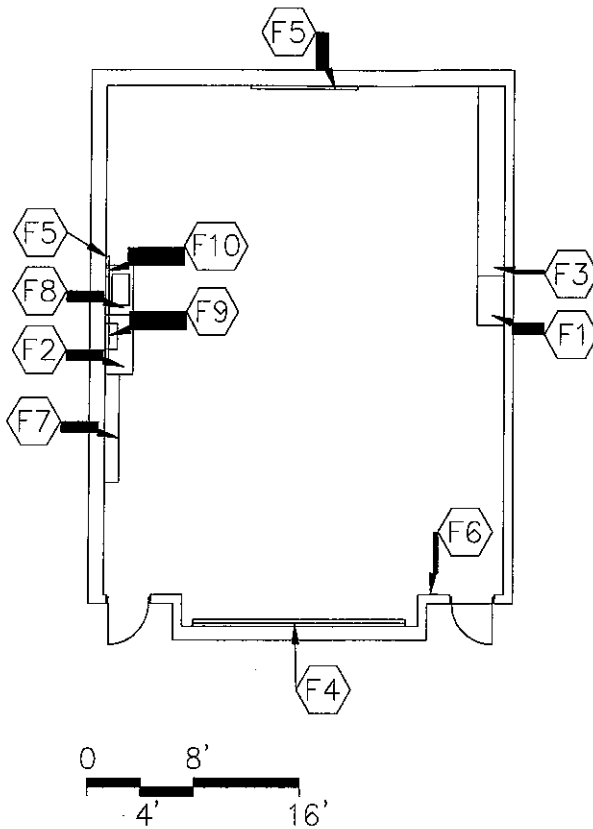
Suspended, acoustical or
Exposed, painted structure

Walls:

Painted concrete masonry units

NOTES:

1. Electrical: duplex receptacle; single-level switching



FEATURES:

Fixed Equipment:

- F1 Tall wardrobe w/file drawers
- F2 Base cabinets
- F3 Tall storage cabinets
- F4 Chalk/marker board
- F5 Tack board
- F6 Pencil sharpener support
- F7 Bookcases, 12" deep
- F8 Sink base cabinet
- F9 Towel dispenser
- F10 Soap dispenser

LOOSE FURNISHINGS:

- Computer workstation furniture
- Risers
- Music stands
- Music chairs
- Conductor podium
- Teacher workstation/computer support and chair
- File cabinet
- Folding mobile cart for ORFF instruments
- Wastebasket
- Pencil sharpener

FINISHES:

Flooring:

- Carpet
- Resilient
- 4' width in front of cabinets or
- Optional: All resilient

Base:

- Resilient base

Ceiling:

- Suspended, acoustical

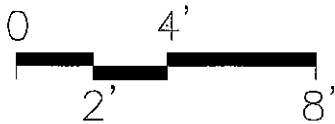
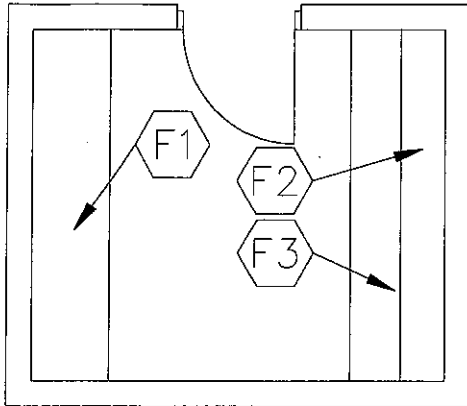
Walls:

- Painted concrete masonry units

NOTES:

1. Electrical: duplex receptacles; multi-level switching
2. Technology: video port, data port, voice port & phone; data ports for students; clock; overhead projector
3. Plumbing: Sink with drinking fountain
4. Miscellaneous: Piano

MUSIC ROOM



FEATURES:

Fixed Equipment:

- F1 Tall storage cabinets
- F2 Base cabinets, 30" deep
- F3 Wall cabinets, 12" deep

LOOSE FURNISHINGS:

- Lateral files

FINISHES:

Flooring:

Resilient

Base:

Resilient base

Ceiling:

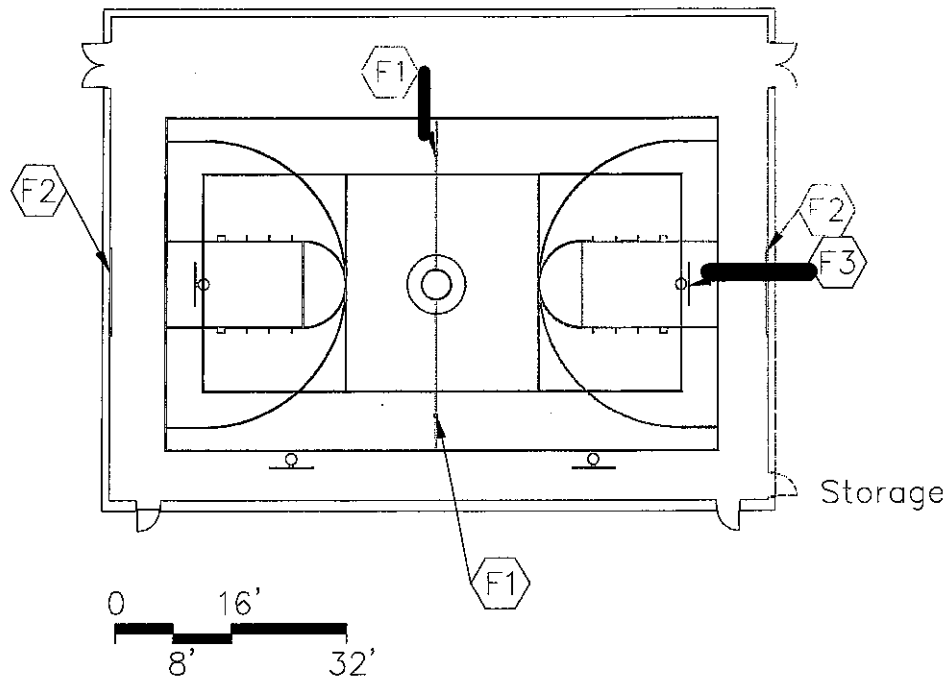
Suspended, acoustical

Walls:

Painted concrete masonry units

NOTES:

1. Electrical: duplex receptacle; single-level switching



FEATURES:

Fixed Equipment:

- F1 Volleyball sleeves and standards with cart
- F2 Safety wall wainscot
- F3 Basketball backstops – fiberglass, adjustable height

LOOSE FURNISHINGS:

- Portable chalkboard

FINISHES:

Flooring:

Resilient or fluid-applied athletic flooring

Base:

Resilient base

Ceiling:

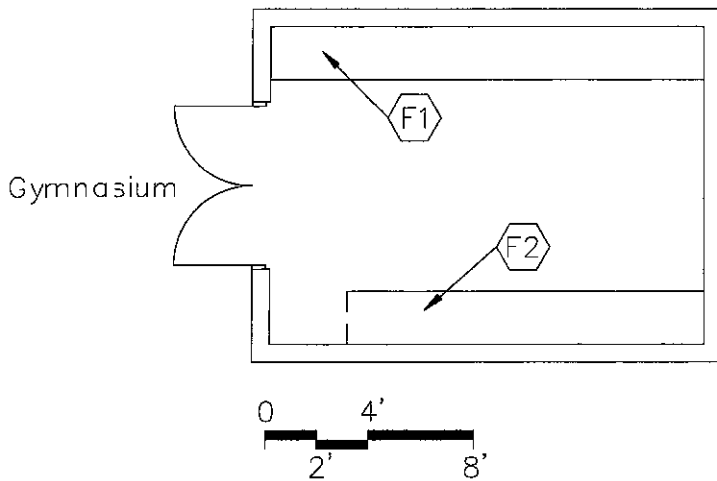
Painted, exposed structure

Walls:

Painted concrete masonry units

NOTES:

1. Electrical: duplex receptacles; telecommunications grounding
2. Technology: video ports, monitor with cart; data ports; clock with wire guards
3. Miscellaneous: Court markings



FEATURES:
Fixed Equipment:
F1 Open metal shelving
F2 Tall storage

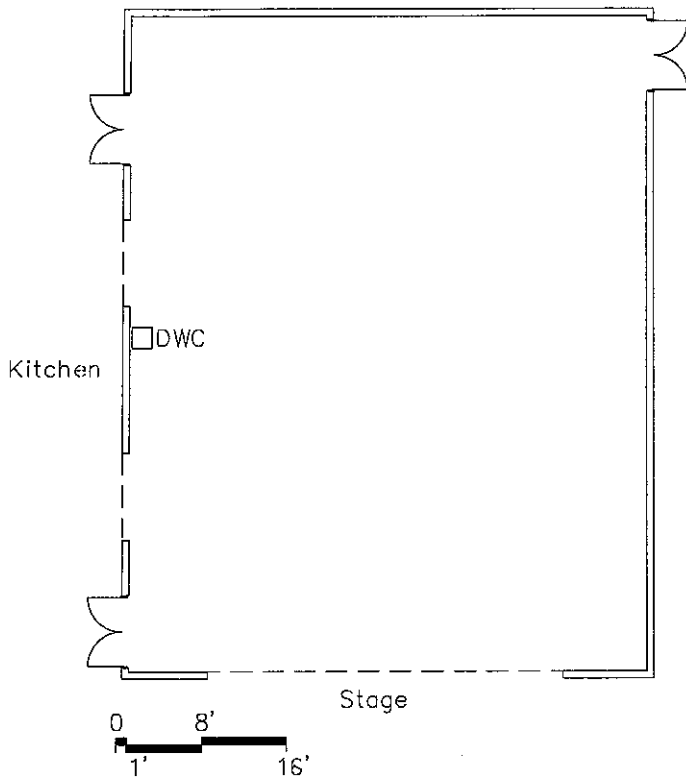
LOOSE FURNISHINGS:
Tumbling mats on carts
Ball carts
Teacher desk and chair
Wastebasket

FINISHES:
Flooring:
Sealed concrete

Base:
Resilient base
Ceiling:
Suspended, acoustical or
Exposed, painted structure
Walls:
Painted concrete masonry units

NOTES:

1. Electrical: duplex receptacle; single-level switching
2. Technology: data port, voice port and phone



FEATURES:
Fixed Equipment:
NA

LOOSE FURNISHINGS:
Tables and chairs or long tables with attached stools
Large waste receptacles
Folding or high density stack chairs for community use
Carts for chairs

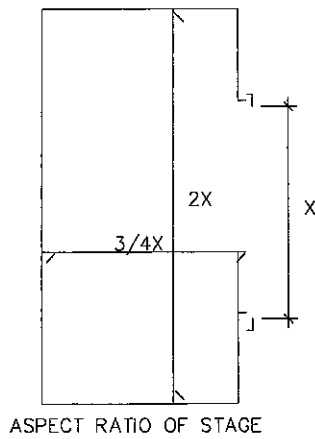
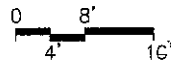
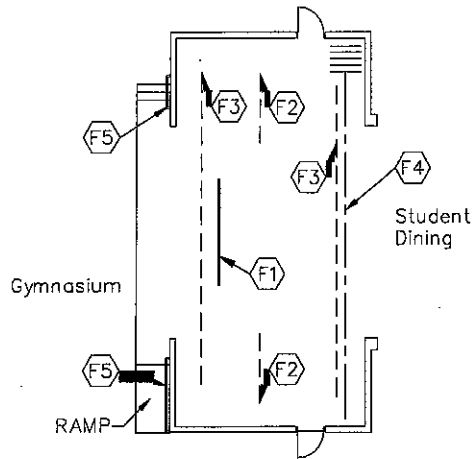
FINISHES:

Flooring:
Resilient, porcelain tile, or terrazzo tile

Base:
Resilient base (optional: PT)
Ceiling:
Suspended, acoustical
Walls:
Painted concrete masonry units

NOTES:

1. Electrical: duplex receptacles; multi-level switching; telecommunications grounding
2. Technology: Clock; overhead projector; video ports; data ports
3. Plumbing: Drinking water cooler



FEATURES:

Fixed Equipment:

- F1 Projection screen
- F2 Curtain
- F3 Curtain and valance
- F4 Operable partition
- F5 Pipe handrail

LOOSE FURNISHINGS:

- Portable risers

FINISHES:

Flooring:
Resilient or wood

Base:

Resilient base

Ceiling:

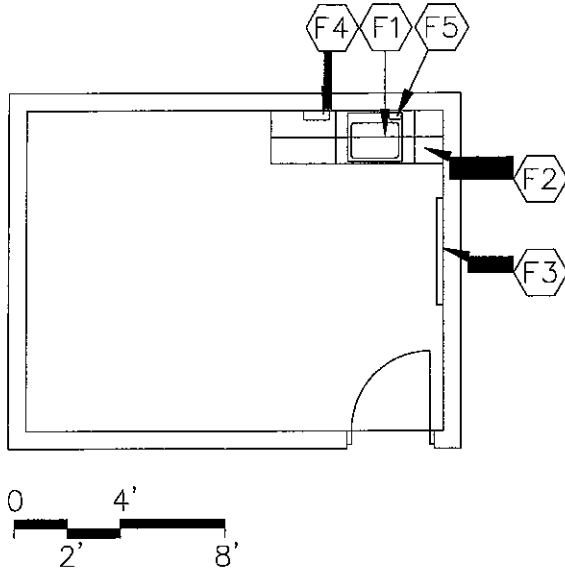
Suspended, acoustical

Walls:

Painted concrete masonry units

NOTES:

1. Electrical: duplex receptacles; single-level switching; telecommunications grounding
2. Technology: video ports and data ports – 1 each on each side of proscenium opening



FEATURES:

Fixed Equipment:

- F1 Sink base cabinet
- F2 Base and wall cabinets
- F3 Tack board
- F4 Towel dispenser
- F5 Soap dispenser

LOOSE FURNISHINGS:

- Tables and chairs
- Refrigerator
- Microwave
- Waste receptacle

FINISHES:

Flooring:

Resilient, porcelain tile, or terrazzo tile

Base:

Resilient base (optional: PT)

Ceiling:

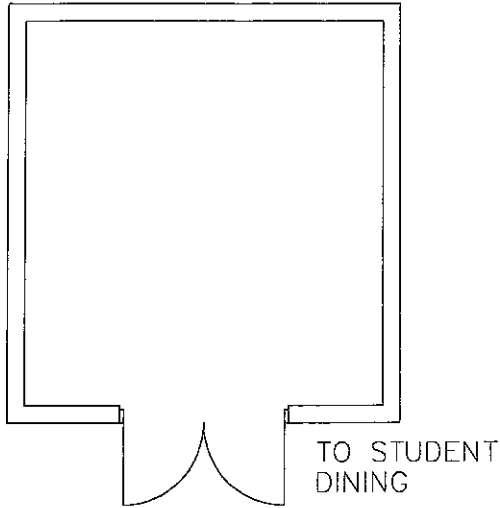
Suspended, acoustical

Walls:

Painted concrete masonry units

NOTES:

1. Electrical: duplex receptacles; single-level switching; receptacles for vending machines, refrigerator, and microwave
2. Technology: video port, voice port and phone; clock
3. Plumbing: Sink
4. Miscellaneous: Vending machines



FEATURES:
Fixed Equipment:
NA

LOOSE FURNISHINGS:
NA

FINISHES:
Flooring:
Sealed concrete

Base:
Resilient base
Ceiling:
Suspended, acoustical or
Exposed, painted structure
Walls:
Painted concrete masonry units

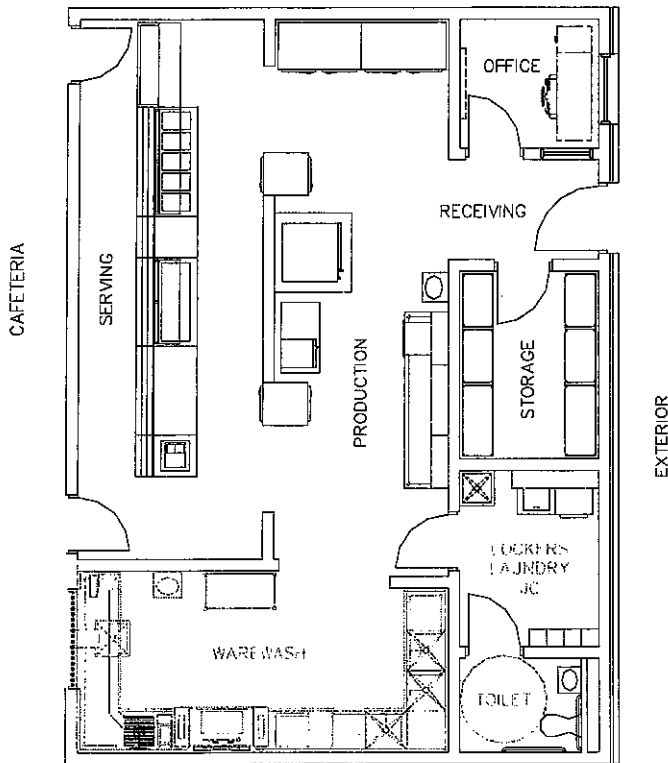
NOTES:

1. Electrical: duplex receptacle; single-level switching

This space consists of various areas:

Production Area	25%
Serving Area	35%
Warewash	25%
Storage	10%
Receiving	5%

Additional areas to be added: office, restroom, locker room, janitorial closet



FEATURES:

Fixed Equipment
Food Service Equipment

LOOSE FURNISHINGS:

NA

NOTE:

Kitchen area must be located adjacent to exterior loading dock area to receive transported food from central kitchen.

FINISHES:

Flooring:
Quarry Tile

Base:
Quarry tile base
Ceiling:
Cleanable, suspended, acoustical
Walls:
Epoxy-painted concrete masonry units

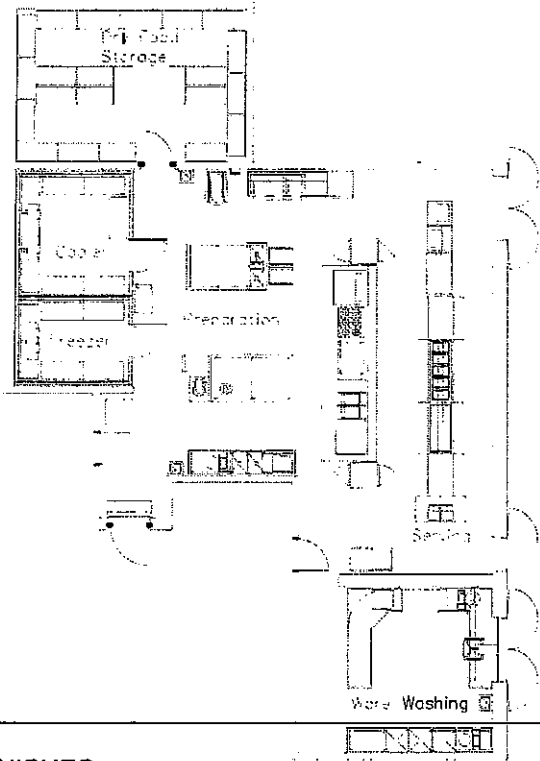
NOTES:

1. Electrical: Dual level switching; duplex receptacles; connections to food service equipment
2. Technology: voice port and phone, data port at cash register; clock
3. Plumbing: Hand washing lavatory; plumbing and gas connections; connections to food service equipment; floor drains
4. HVAC: Kitchen canopy exhaust system

This space consists of various areas:

Production Area	25%
Serving Area	35%
Warewash	25%
Storage	10%
Receiving	5%

A space plate follows for each of these spaces.
Additional areas to be added: office, restroom,
locker room, janitorial closet



FEATURES:

Fixed Equipment
Food Service Equipment

LOOSE FURNISHINGS:

NA

FINISHES:

Flooring:
Quarry Tile

Base:

Quarry tile base

Ceiling:

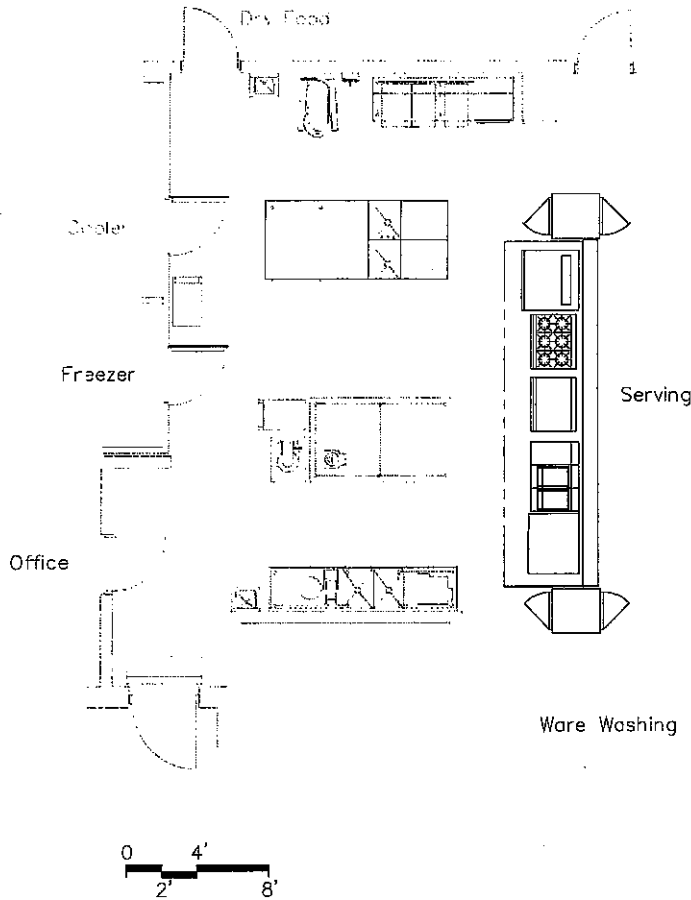
Cleanable, suspended, acoustical

Walls:

Epoxy-painted concrete masonry units

NOTES:

1. Electrical: Dual level switching; duplex receptacles; connections to food service equipment
2. Technology: voice port and phone, data port at cash register; clock
3. Plumbing: Hand washing lavatory; plumbing and gas connections; connections to food service equipment; floor drains
4. HVAC: Kitchen canopy exhaust system



FEATURES:
 Fixed Equipment:
 Food service equipment

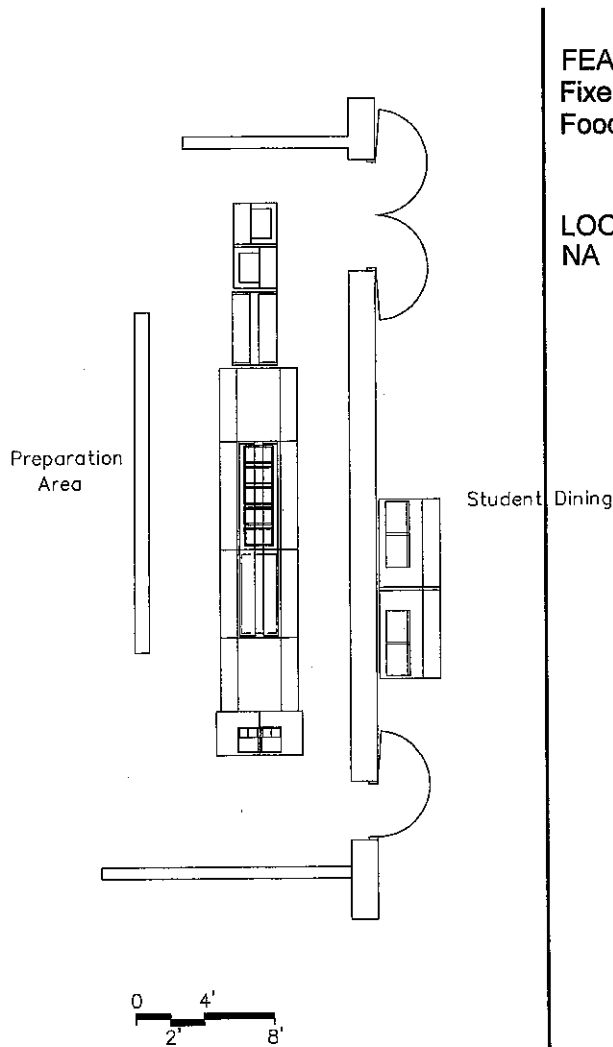
LOOSE FURNISHINGS:
 NA

FINISHES:
 Flooring:
 Quarry Tile

Base:
 Quarry tile base
Ceiling:
 Cleanable, suspendable, acoustical
Walls:
 Epoxy-painted concrete masonry units

NOTES:

1. Electrical: duplex receptacles; dual-level switching; connections to food service equipment
2. Technology: Voice port & phone; clock
3. Plumbing: Plumbing and gas connections; hand washing lavatory; floor drains



FEATURES:
Fixed Equipment:
Food service equipment

LOOSE FURNISHINGS:
NA

FINISHES:

Flooring:

Quarry Tile
Optional: Porcelain Tile

Base:

Quarry tile base (optional: PT)

Ceiling:

Cleanable, suspendable, acoustical

Walls:

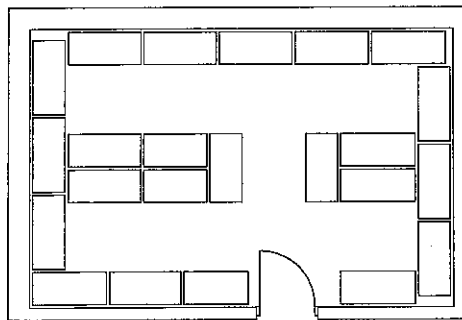
Epoxy-painted concrete masonry units

NOTES:

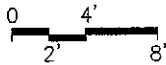
1. Electrical: duplex receptacles; dual-level switching; connections to food service equipment
2. Technology: Voice port & phone; clock; data port at cash register
3. Plumbing: Connections to food service equipment

FEATURES:
Fixed Equipment:
Food service equipment

LOOSE FURNISHINGS:
NA



Preparation Area

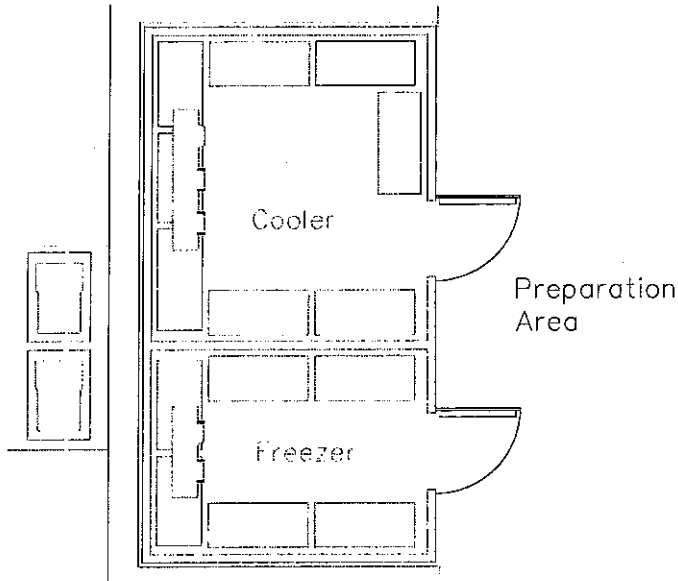


FINISHES:
Flooring:
Sealed concrete

Base:
Resilient base
Ceiling:
Cleanable, suspendable, acoustical
Walls:
Epoxy-painted concrete masonry units

NOTES:

1. Electrical: duplex receptacle; single-level switching



FEATURES:
 Fixed Equipment:
 Food service equipment

LOOSE FURNISHINGS:
 NA

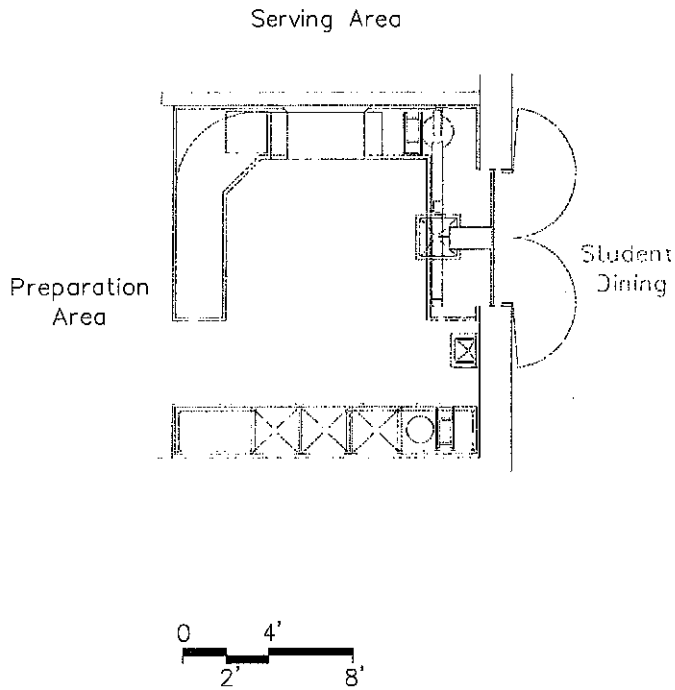
FINISHES:

Flooring:
 Quarry Tile

Base:
 Quarry tile base
Ceiling:
 Manufactured insulated panel
Walls:
 Manufactured insulated panel

NOTES:

1. Electrical: Single-level switching; electrical connections to freezer/cooler refrigeration equipment



FEATURES:
Fixed Equipment:
Food service equipment

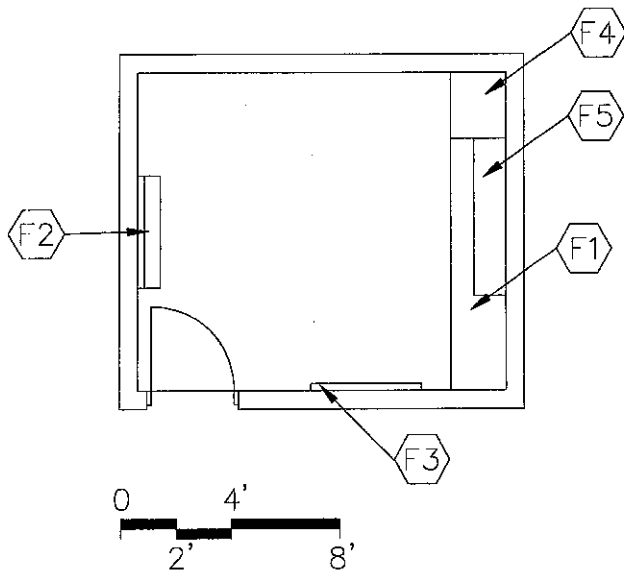
LOOSE FURNISHINGS:
NA

FINISHES:
Flooring:
Quarry Tile

Base:
Quarry tile base
Ceiling:
Cleanable, suspendable, acoustical
Walls:
Epoxy-painted concrete masonry units

NOTES:

1. Electrical: duplex receptacle; dual-level switching; connections to food service equipment
2. HVAC: Exhaust hood system
3. Plumbing: Lavatory



FEATURES:

Fixed Equipment:

- F1 Work surface with file drawers
- F2 Chalk/marker board
- F3 Tack board
- F4 Tall wardrobe
- F5 Wall cabinets

LOOSE FURNISHINGS:

- Desk and chair
- Computer desk return
- Visitor chairs
- Wastebasket

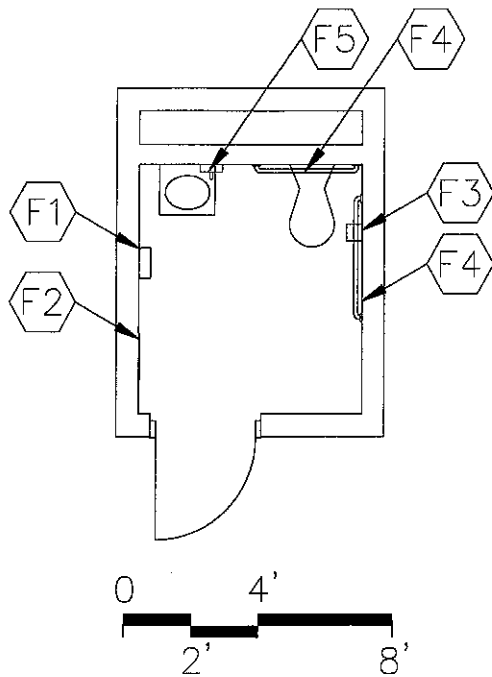
FINISHES:

Flooring:
Resilient

Base:
Resilient base
Ceiling:
Suspended, acoustical
Walls:
Painted concrete masonry units

NOTES:

1. Electrical: duplex receptacles; single-level switching
2. Technology: each data port, video port, voice port & phone; clock



FEATURES:

Fixed Equipment:

- F1 Towel dispenser
- F2 24" x 60" mirror
- F3 Toilet tissue holder
- F4 36" and 42" grab bar
- F5 Soap dispenser

LOOSE FURNISHINGS:

Wastebasket

FINISHES:

Flooring:

- Resilient (TER)
- Optional: ceramic mosaic tile, porcelain tile, or terrazzo

Base:

Resilient base (optional: CMT, PT, or

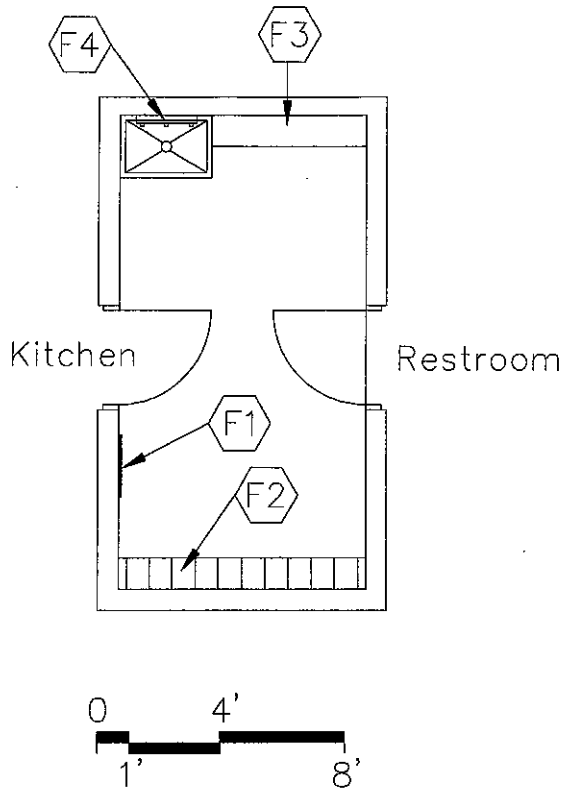
Ceiling:
Suspended, acoustical

Walls:

Painted concrete masonry units

NOTES:

1. Plumbing: water closet and lavatory
2. Electrical: Single-level switching; duplex receptacle



FEATURES:

Fixed Equipment:

- F2 24" x 60" mirror
- F3 Lockers
- F4 Wall cabinets
- F5 Mop holder

LOOSE FURNISHINGS:

- Chairs
- Washer
- Dryer
- Wastebasket

FINISHES:

Flooring:
Resilient

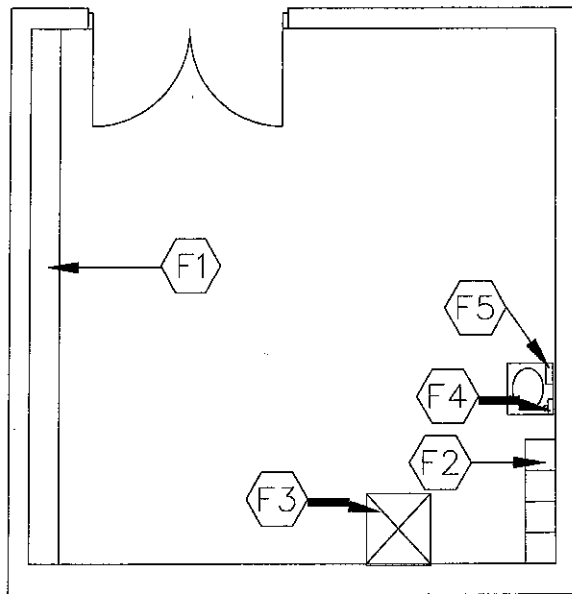
Base:
Resilient base

Ceiling:
Suspended, acoustical, with high-impact, hold-down clips (option: exposed, painted pre-cast units)

Walls:
Painted concrete masonry units

NOTES:

1. Plumbing: Floor service sink; floor drain
2. Electrical: Single-level switching; (4) duplex receptacle
3. HVAC: Dryer vent system; manually operated exhaust air system
4. Technology: Clock



FEATURES:

- Fixed Equipment:**
 F1 Metal shelving
 F2 Lockers
 F3 Mop holder
 F4 Soap dispenser
 F5 Towel dispenser

LOOSE FURNISHINGS:

- Workbench
 Stool
 Recycling bins
 Waste receptacles

FINISHES:

Flooring:
 Sealed concrete

Base:

Resilient base

Ceiling:

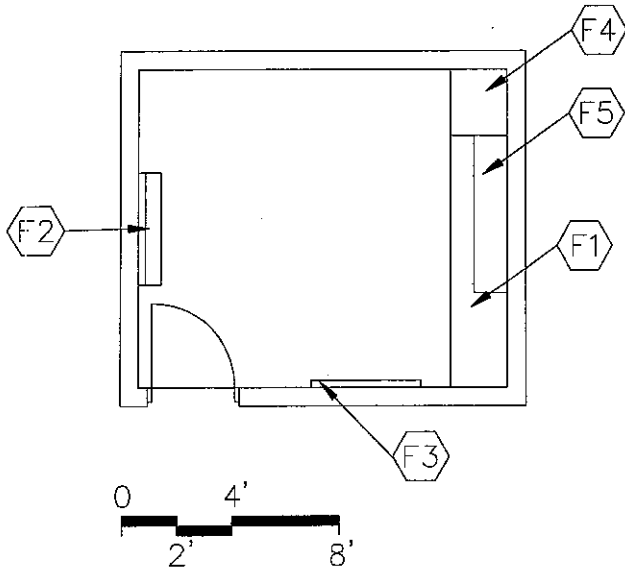
Suspended, acoustical or
 Exposed, painted structure

Walls:

Painted concrete masonry units

NOTES:

1. Electrical: duplex receptacle; single-level switching; electrical receptacles for custodial equipment
2. Plumbing: Floor service sink; handwash sink
3. Technology: Voice port and phone; clock



FEATURES:

Fixed Equipment:

- F1 Work surface with file drawers
- F2 Chalk/marker board
- F3 Tack board
- F4 Tall wardrobe
- F5 Wall cabinets

LOOSE FURNISHINGS:

- Desk and chair
- Computer desk return
- Visitor chairs
- Wastebasket

FINISHES:

Flooring:
Resilient

Base:

Resilient base

Ceiling:

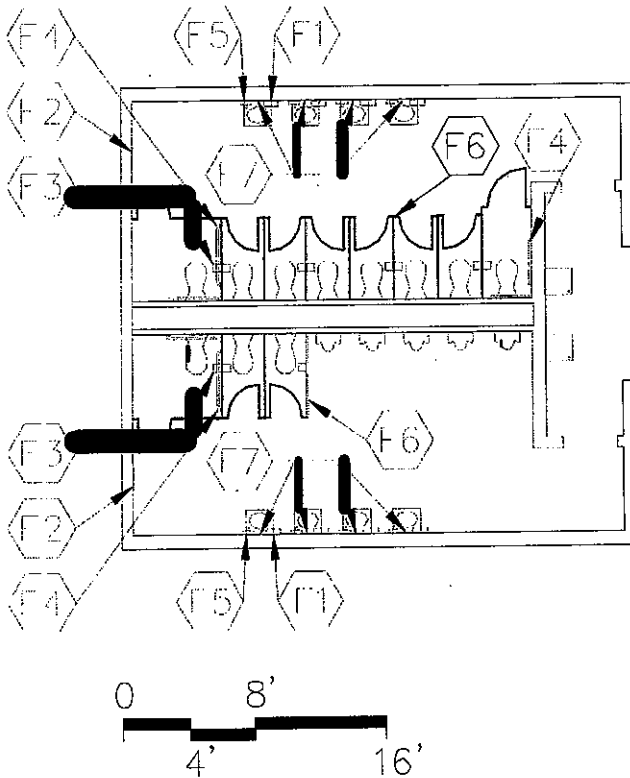
Suspended, acoustical

Walls:

Painted concrete masonry units

NOTES:

1. Electrical: duplex receptacles; single-level switching
2. Technology: data port, voice port & phone; clock; modem port for temperature controls computer



FEATURES:

Fixed Equipment:

- F1 Towel dispenser
- F2 24" x 60" mirror
- F3 Toilet tissue holder
- F4 36" and 42" grab bar
- F5 Soap dispenser
- F6 Toilet partitions
- F7 16" x 24" mirrors

LOOSE FURNISHINGS:

- Waste receptacles

FINISHES:

Flooring:

- Ceramic mosaic tile
- Optional: porcelain tile or terrazzo tile

Base:

- Ceramic mosaic tile base
- Optional: Structural glazed tile base or porcelain tile base

Ceiling:

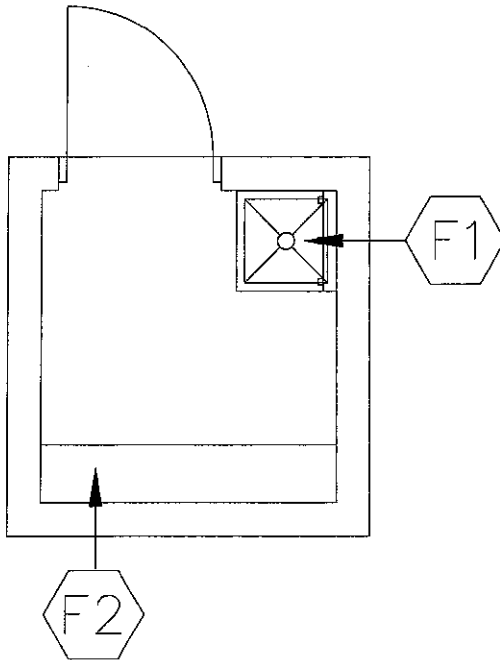
- Suspended, acoustical
- Option: Abuse-resistant gypsum wallboard

Walls:

- Painted concrete masonry units

NOTES:

1. Plumbing: water closets, urinals, lavatories, and hydrants; water coolers; floor drains
2. Electrical: Single-level switching; duplex receptacle



FEATURES:

Fixed Equipment:

- F1 Mop holder
- F2 Wall cabinets

LOOSE FURNISHINGS:

NA

FINISHES:

Flooring:
Sealed concrete

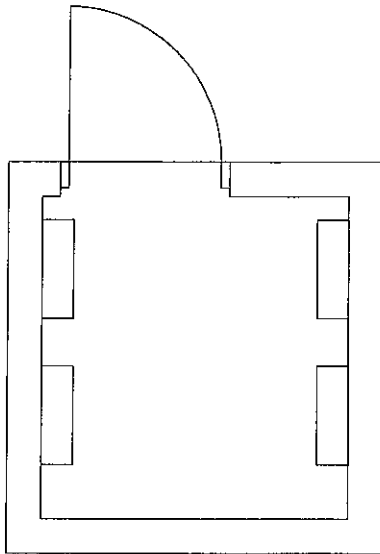
Base:
Resilient base

Ceiling:
Exposed, painted structure

Walls:
Painted concrete masonry units

NOTES:

1. Electrical: duplex receptacle; single-level switching
2. Plumbing: Service sink and floor drain sink



FEATURES:
Fixed Equipment:
NA

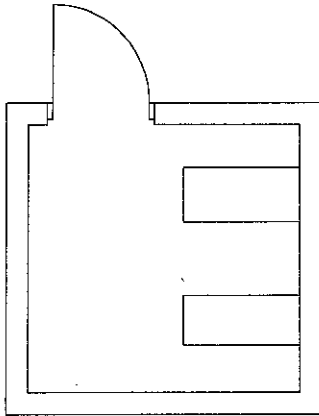
LOOSE FURNISHINGS:
NA

FINISHES:
Flooring:
Sealed concrete

Base:
Resilient base
Ceiling:
Exposed, painted structure
Walls:
Painted concrete masonry units

NOTES:

1. Electrical: duplex receptacle; single-level switching; electrical switchgear



FEATURES:
Fixed Equipment:
NA

LOOSE FURNISHINGS:
NA

FINISHES:

Flooring:
Sealed concrete

Base:
Resilient base
Ceiling:
Exposed, painted structure
Walls:
Painted concrete masonry units

NOTES:

1. Electrical: duplex receptacle; single-level switching; telecommunications grounding
2. Technology: Technology equipment; plywood backboard

Corridors shall be a minimum of 8 feet wide.

Corridors are to meet the egress requirements applicable codes.

Instructional and activity areas shall be accessible by corridors without passing through another instructional or activity area.

Area of vestibules is to be included within area allotted for corridors.

Width of vestibules can be no less than minimum width of adjacent corridor.

Minimum corridor length recommended is 8 feet between doors.

Vestibules are to be provided at major entrances/exits.

FEATURES:**Fixed Equipment:**

Fire extinguishers and cabinets

Recessed vinyl floor mats or surface mats

LOOSE FURNISHINGS:

Recycling bins and waste receptacles

FINISHES:**Flooring:**

Resilient, porcelain tile, or terrazzo

NOTE: At entries adjacent to dining/commons area, match dining/commons flooring.

Base:

Resilient base(option: structural glazed tile)

Ceiling:

Suspended, acoustical

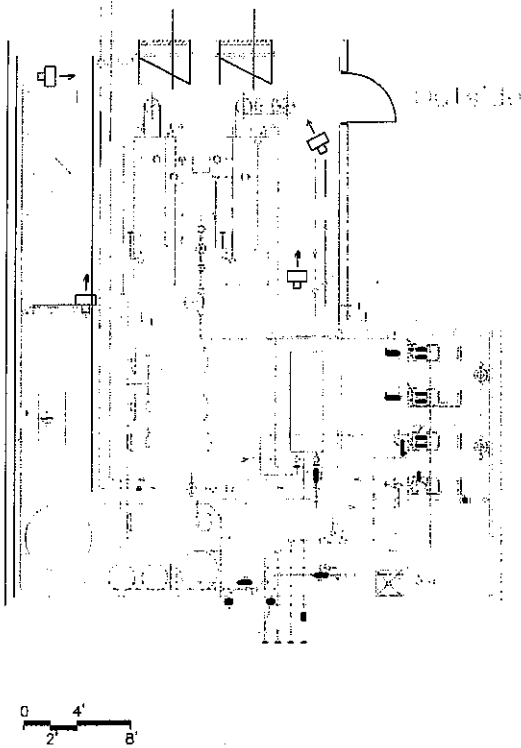
Option in vestibules: abuse-resistant gypsum wallboard

Walls:

Painted concrete masonry units

NOTES:

1. Electrical: Duplex receptacles; dual-level switching
2. Technology: Clocks, wireless access points; video ports
3. Plumbing: Drinking water coolers
4. Miscellaneous: Display cases



FEATURES:
Fixed Equipment:
To be determined by Design Professional

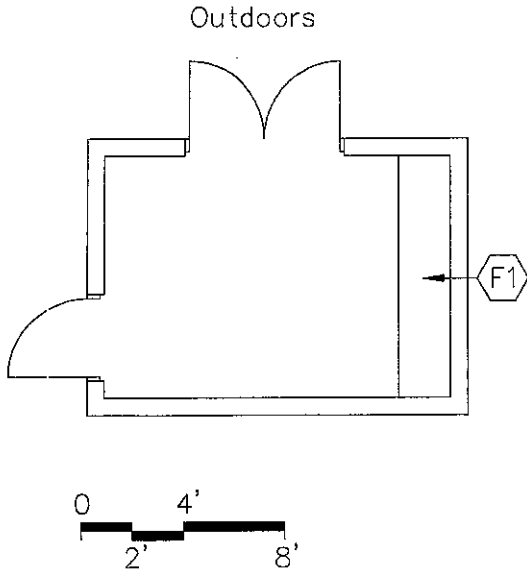
LOOSE FURNISHINGS:
NA

FINISHES:
Flooring:
Sealed concrete

Base:
Resilient base
Ceiling:
Exposed, painted structure
Walls:
Painted concrete masonry units
(option: can use metal panel on CMU or metal panel on metal framing wall system for penthouse)

NOTES:

1. Electrical: Dual-level switching; to be determined by Design Professional
2. Plumbing: To be determined by Design Professional



FEATURES:
Fixed Equipment:
F1 Open metal shelving

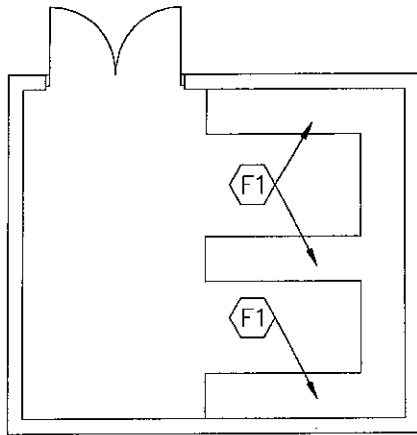
LOOSE FURNISHINGS:
NA

FINISHES:
Flooring:
Sealed concrete

Base:
Resilient base
Ceiling:
Exposed, painted structure
Walls:
Painted concrete masonry units

NOTES:

1. Electrical: Single-level switching; duplex receptacles



FEATURES:
Fixed Equipment:
F1 Open metal shelving

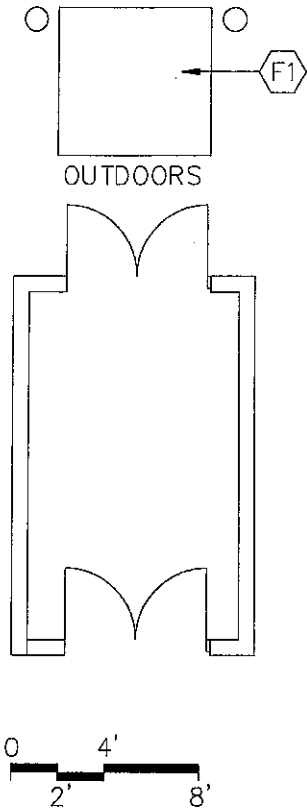
LOOSE FURNISHINGS:
NA

FINISHES:
Flooring:
Sealed concrete

Base:
Resilient base
Ceiling:
Exposed, painted structure
Walls:
Painted concrete masonry units

NOTES:

1. Electrical: Single-level switching; duplex receptacles



FEATURES:

Fixed Equipment:

F1 Loading dock leveler and dock bumpers

LOOSE FURNISHINGS:

NA

FINISHES:

Flooring:

Sealed concrete

Base:

Resilient base

Ceiling:

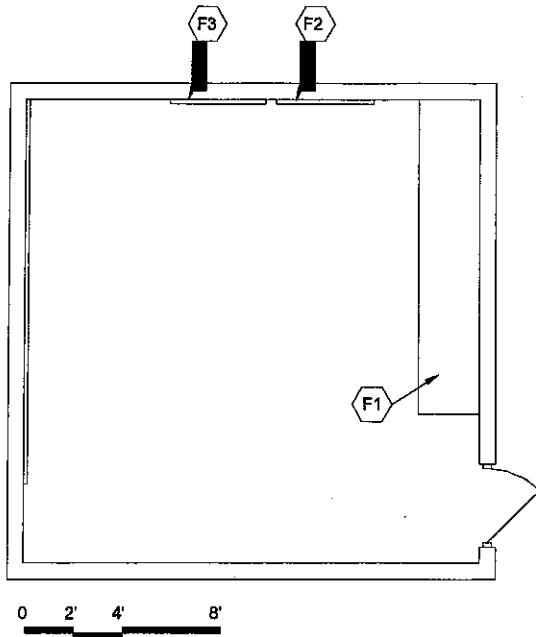
Exposed, painted structure

Walls:

Painted concrete masonry units

NOTES:

1. Electrical: Single-level switching; duplex receptacles



FEATURES:

Fixed Equipment:

- F1 Open metal shelving
- F2 Tack board
- F3 Chalk/marker board

LOOSE FURNISHINGS:

- Desk and chair
- Wastebasket

FINISHES:

Flooring:
Resilient

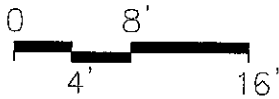
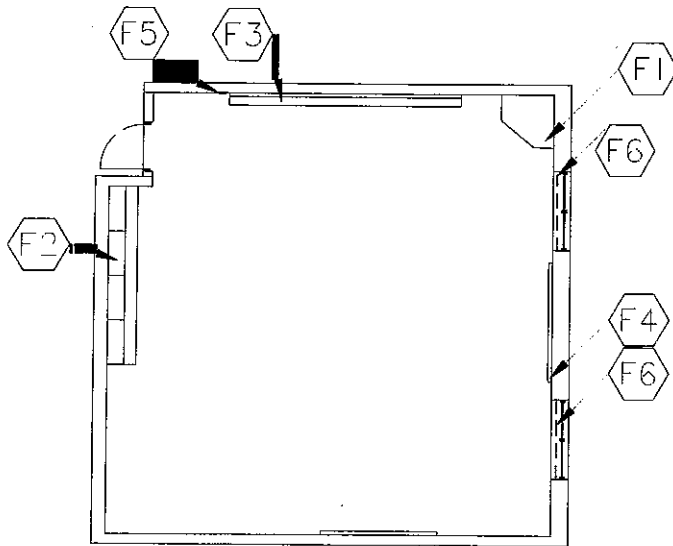
Base:
Resilient base

Ceiling:
Suspended, acoustical

Walls:
Painted concrete masonry units

NOTES:

1. Electrical: duplex receptacles; single-level switching; telecommunications grounding
2. Technology: data port, voice port & phone; technology equipment; plywood backboard
3. Miscellaneous: Provide distribution equipment with an equipment electrical ground.

**FEATURES:****Fixed Equipment:**

- F1 Tall wardrobe w/file drawers
- F2 Base & wall cabinets
- F3 Chalk/marker board
- F4 Tack board
- F5 Pencil sharpener support
- F6 Windows with integral blinds

LOOSE FURNISHINGS:

- Student desks/tables and chairs
- Computer workstation furniture
- Teacher workstation/computer support and chair
- Activity table
- File cabinet
- Low bookcases (fixed or mobile)
- Wastebasket
- Pencil sharpener

FINISHES:**Flooring:**

- Carpet
- Optional: All resilient

Base:

- Resilient base

Ceiling:

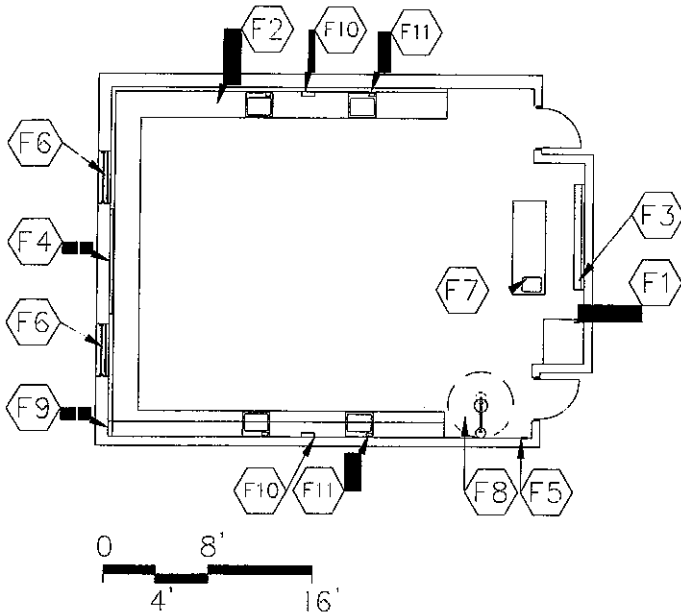
- Suspended, acoustical

Walls:

- Painted concrete masonry units

NOTES:

1. Electrical: duplex receptacles; multi-level switching
2. Technology: video port, data port, voice port & phone; data ports for students; clock; overhead projector
3. Miscellaneous: Operable partitions optional between classrooms



FEATURES:

Fixed Equipment:

- F1 Tall wardrobe w/file drawers
- F2 Perimeter sink base cabinets
- F3 Chalk/marker board
- F4 Tack board
- F5 Pencil sharpener support
- F6 Windows with integral blinds
- F7 Demonstration table
- F8 Emergency shower/eyewash
- F9 Wall cabinets
- F10 Towel dispensers
- F11 Soap dispensers

LOOSE FURNISHINGS:

- Student worktables and stools/chairs
- Teacher stool/chair
- File cabinet
- Wastebaskets
- Pencil sharpener

FINISHES:

Flooring:
Resilient

Base:

Resilient base

Ceiling:

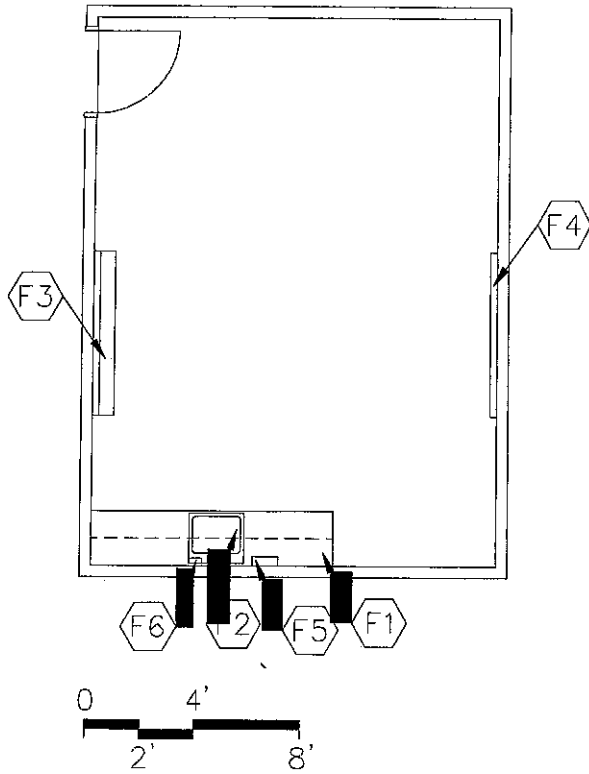
Suspended, acoustical

Walls:

Painted concrete masonry units

NOTES:

1. Electrical: duplex receptacles; multi-level switching
2. Technology: video port, data port, voice port & phone; data ports for students; clock; overhead projector
3. HVAC: Manually operated exhaust air system
4. Plumbing: Sinks; plumbing, gas, and compressed air connections; master shutoff for gas; emergency shower/eyewash connection



FEATURES:

Fixed Equipment:

- F1 Base & wall cabinets
- F2 Sink base cabinet
- F3 Chalk/marker board
- F4 Tack board
- F5 Towel dispenser
- F6 Soap dispenser

LOOSE FURNISHINGS:

- Tables and chairs
- Computer workstation furniture
- Wastebasket

FINISHES:

Flooring:

Carpet

Base:

Resilient base

Ceiling:

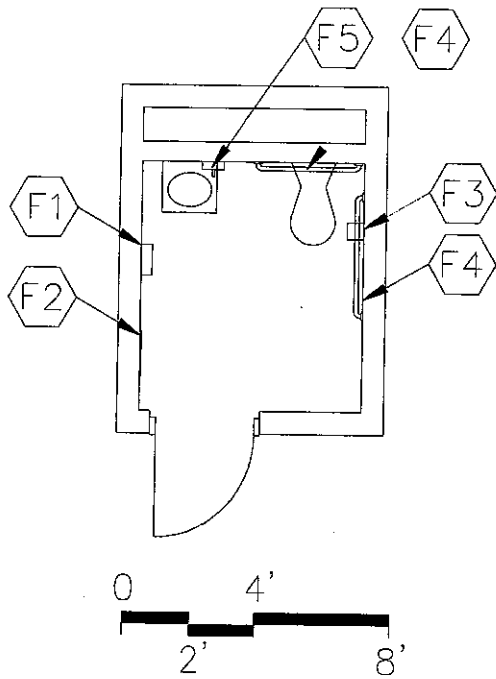
Suspended, acoustical

Walls:

Painted concrete masonry units

NOTES:

1. Electrical: duplex receptacles; single-level switching
2. Technology: video port, voice port & phone; clock; data ports
3. Plumbing: Sink



FEATURES:

Fixed Equipment:

- F1 Towel dispenser
- F2 24" x 60" mirror
- F3 Toilet tissue holder
- F4 36" and 42" grab bar
- F5 Soap dispenser

LOOSE FURNISHINGS:

Wastebasket

FINISHES:

Flooring:

Resilient
Optional: ceramic mosaic tile, porcelain tile, or terrazzo

Base:

Resilient base (optional: CMT, PT, or TER)

Ceiling:

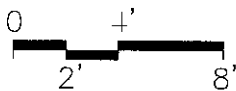
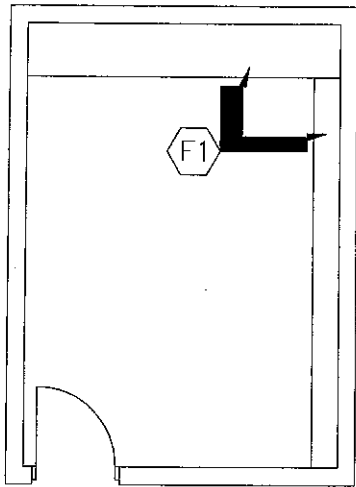
Suspended, acoustical

Walls:

Painted concrete masonry units

NOTES:

1. Plumbing: water closet and lavatory
2. Electrical: Single-level switching



FEATURES:
Fixed Equipment:
F1 Open metal shelving

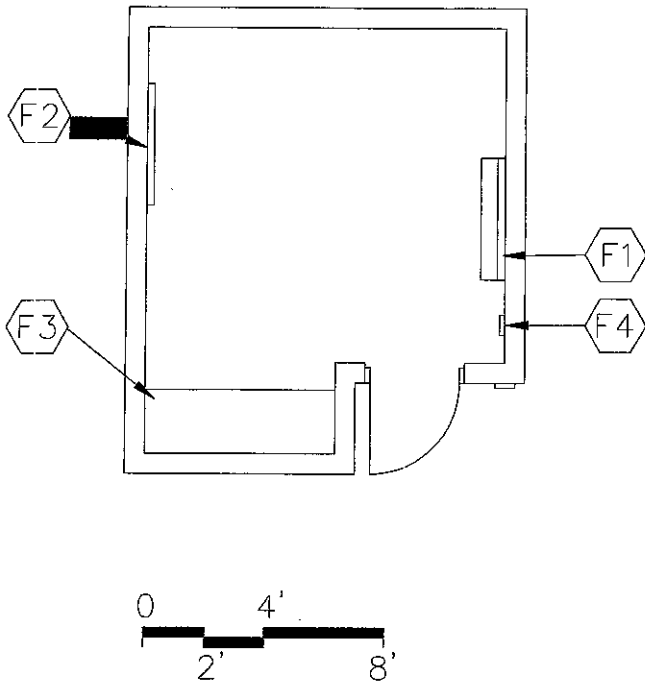
LOOSE FURNISHINGS:
N/A

FINISHES:
Flooring:
Sealed concrete

Base:
Resilient base
Ceiling:
Suspended, acoustical or
Exposed, painted structure
Walls:
Painted concrete masonry units

NOTES:

1. Electrical: Duplex receptacle; single-level switching



FEATURES:

Fixed Equipment:

- F1 Chalk/marker board
- F2 Tack board
- F3 Work surface
- F4 Pencil sharpener support

LOOSE FURNISHINGS:

- Work tables and chairs
- Wastebasket
- Pencil sharpener

FINISHES:

Flooring:

- Carpet
- Optional: carpet

Base:

- Resilient base

Ceiling:

- Suspended, acoustical

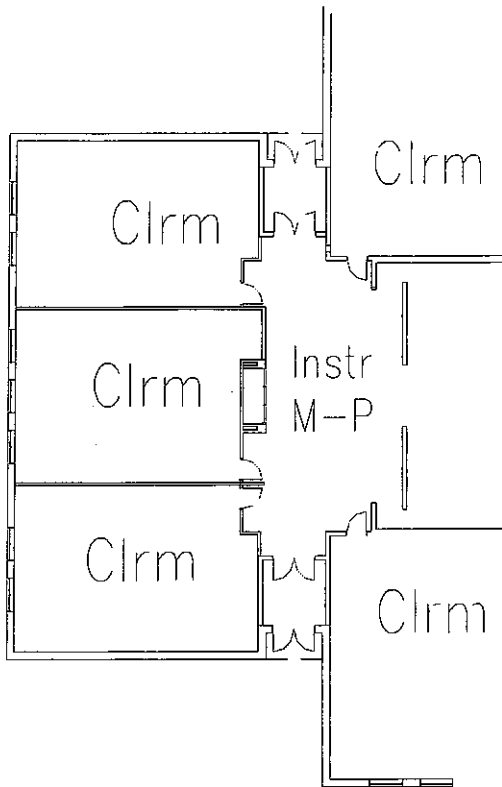
Walls:

- Painted concrete masonry units

NOTES:

1. Electrical: duplex receptacles; multi-level switching
2. Technology: video port, data port, voice port; clock

Instructional and activity areas shall be accessible by corridors without passing through another instructional or activity area.



FEATURES:
Fixed Equipment:
NA

LOOSE FURNISHINGS:
NA

FINISHES:

Flooring:
Resilient, porcelain tile, or terrazzo

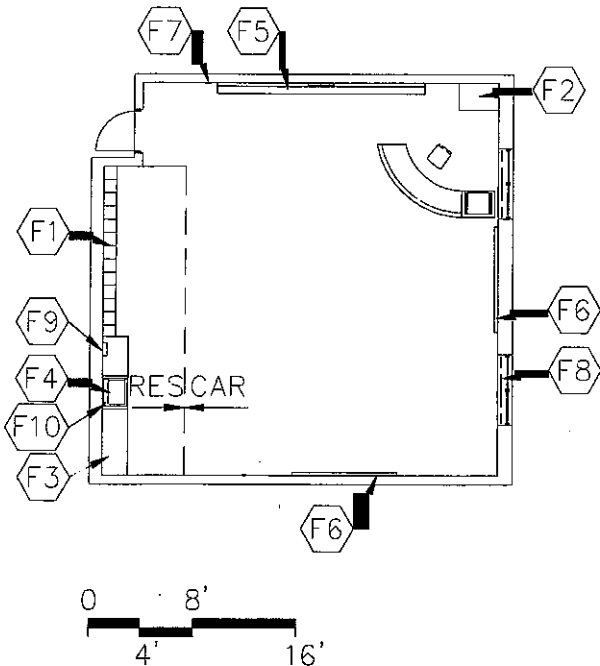
Base:
Resilient base, porcelain tile, or terrazzo

Ceiling:
Suspended, acoustical

Walls:
Painted concrete masonry units

NOTES:

1. Electrical: Duplex receptacles; dual-level switching
2. Technology: Wireless access points; video ports; data ports



FEATURES:

Fixed Equipment:

- F1 Open casework – coats with wall cabinets above
- F2 Tall wardrobe w/file drawers
- F3 Base and wall cabinets
- F4 Sink base cabinet
- F5 Chalk/board
- F6 Tack board
- F7 Pencil sharpener support
- F8 Windows with integral blinds
- F9 Towel dispenser
- F10 Soap dispenser

LOOSE FURNISHINGS:

- Student desks/tables
- Student chairs
- Teacher workstation/computer support and chair
- Computer workstation furniture
- File cabinet
- Low bookcases (fixed or mobile)
- Reading table
- Wastebasket
- Pencil sharpener

FINISHES:

Flooring:

- Carpet
- Resilient
- 4' width in front of cabinets or
- Optional: All resilient

Base:

- Resilient base

Ceiling:

- Suspended, acoustical

Walls:

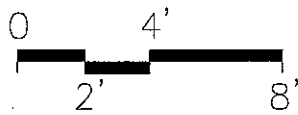
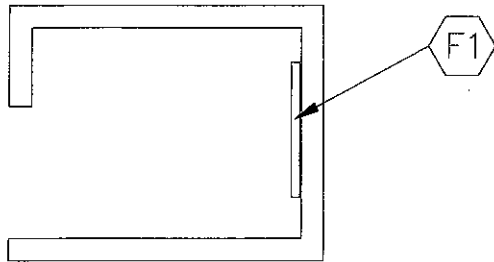
- Painted concrete masonry units

NOTES:

1. Electrical: duplex receptacles; multi-level switching
2. Technology: video port, data port, voice port & phone; data ports for students; clock; overhead projector
3. Plumbing: Sink with drinking fountain

FEATURES:
Fixed Equipment:
F1 Tack board

LOOSE FURNISHINGS:
Student desk and chair
Wastebasket

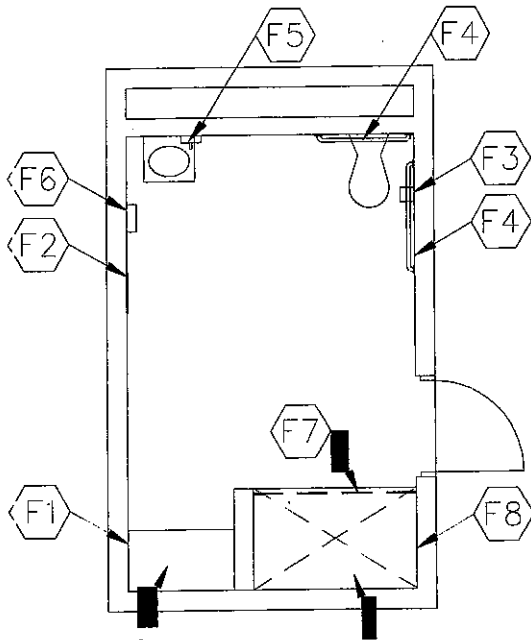


FINISHES:
Flooring:
Carpet

Base:
Resilient base
Ceiling:
Suspended, acoustical
Walls:
Painted concrete masonry units

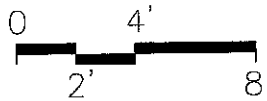
NOTES:

1. Electrical: duplex receptacle; dimmable lighting
2. Technology: Clock



Changing Area.
Storage of supplies
for health needs.

Shower-slope floor;
no raised threshold;
4' x 5' for two people



FEATURES:

Fixed Equipment:

- F1 Base cabinet
- F2 24" x 60" mirror
- F3 Toilet tissue holder
- F4 36" and 42" grab bar
- F5 Soap dispenser
- F6 Towel dispenser
- F7 Shower curtain and rod
- F8 ADA shower accessories

LOOSE FURNISHINGS:

- Wastebasket

FINISHES:

Flooring:

Restroom - Resilient

Shower - Ceramic mosaic tile, porcelain tile, or terrazzo

Base:

Restroom - Resilient base

Shower - Ceramic mosaic tile, porcelain tile, or terrazzo

Ceiling:

Restroom - Suspended, acoustical

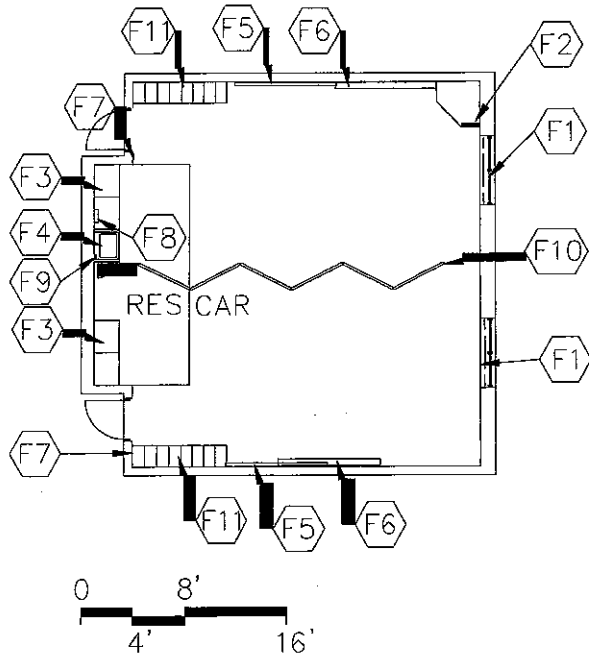
Shower - Painted Portland cement plaster or interior finish system

Walls:

Epoxy painted concrete masonry units

NOTES:

1. Plumbing: water closet and lavatory; ADA shower controls and head; floor drain
2. Electrical: duplex receptacles; single-level switching



FEATURES:

Fixed Equipment:

- F1 Windows with integral blinds
- F2 Tall wardrobe w/file drawers
- F3 Base cabinets
- F4 Sink base cabinet
- F5 Chalk/marker board
- F6 Tack board
- F7 Pencil sharpener support
- F8 Towel dispenser
- F9 Soap dispenser
- F10 Operable partition
- F11 Open casework-coats with wall cabinets above

LOOSE FURNISHINGS:

- Student desks/tables
- Computer workstation furniture
- Student chairs
- Teacher desk or workstation/computer support and chair
- File cabinet
- Mobile bookcases or storage unit
- Wastebasket
- Pencil sharpener

FINISHES:

Flooring:

- Carpet
- Resilient
- 4' width in front of cabinets

Base:

Resilient base

Ceiling:

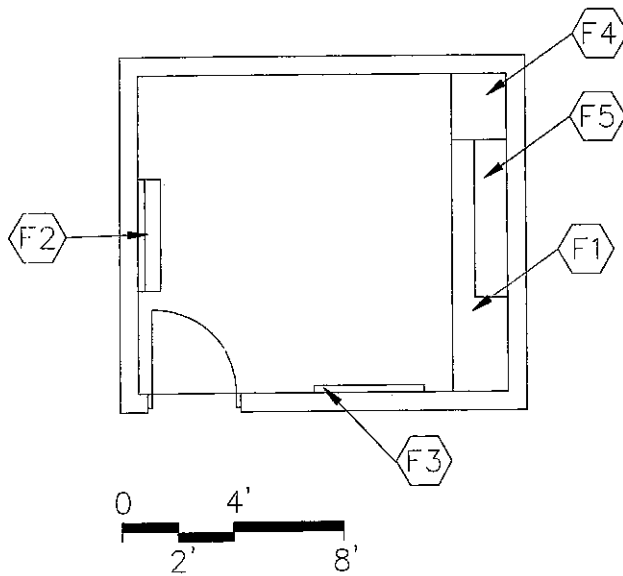
Suspended, acoustical

Walls:

Painted concrete masonry units

NOTES:

1. Plumbing: Sink
2. Electrical: duplex receptacles; multi-level switching
3. Technology: video port, data port, voice port & phone; data ports for students; clock; overhead projector



FEATURES:

Fixed Equipment:

- F1 Work surface with file drawers
- F2 Chalk/marker board
- F3 Tack board
- F4 Tall wardrobe
- F5 Wall cabinets

LOOSE FURNISHINGS:

- Desk and chair
- Computer desk return
- Small table with chairs
- Wastebasket

FINISHES:

Flooring:
Carpet

Base:

Resilient base

Ceiling:

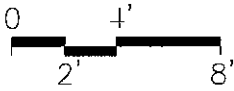
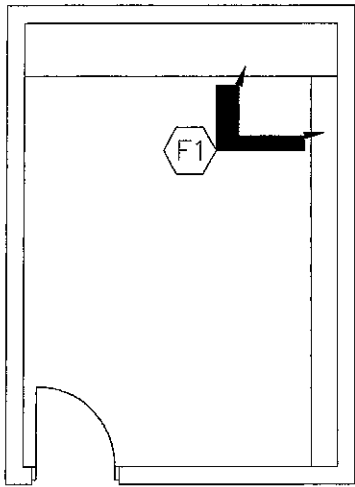
Suspended, acoustical

Walls:

Painted gypsum wallboard
over metal studs

NOTES:

1. Electrical: duplex receptacles; single-level switching
2. Technology: data port, video port, voice port & phone; clock



FEATURES:
Fixed Equipment:
F1 Open metal shelving

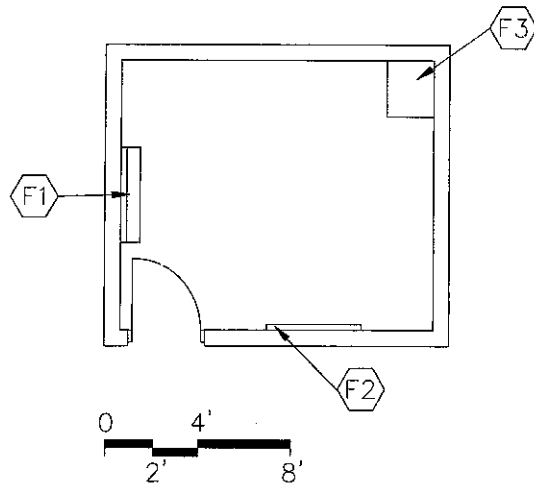
LOOSE FURNISHINGS:
N/A

FINISHES:
Flooring:
Resilient

Base:
Resilient base
Ceiling:
Suspended, acoustical or
Exposed, painted structure
Walls:
Painted concrete masonry units

NOTES:

1. Electrical: Duplex receptacle; single-level switching



FEATURES:

Fixed Equipment:

- F1 Chalk/marker board
- F2 Tack board
- F3 Wall cabinets

LOOSE FURNISHINGS:

- Chairs
- Wastebasket

FINISHES:

Flooring:
Carpet

Base:

Resilient base

Ceiling:

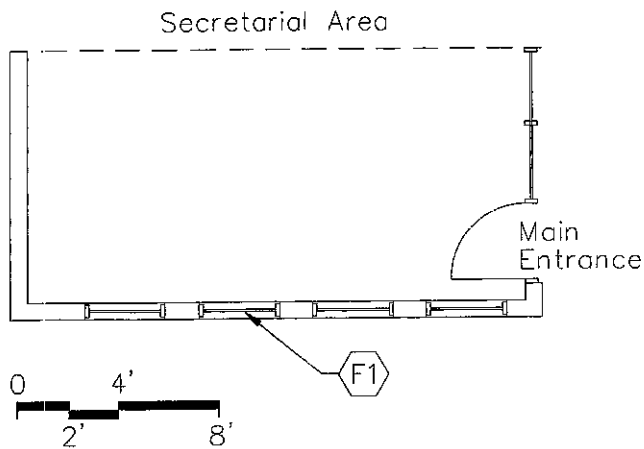
Suspended, acoustical

Walls:

Painted gypsum wallboard
over metal studs

NOTES:

1. Electrical: duplex receptacles; single-level switching
2. Technology: data port, video port, voice port & phone; clock



FEATURES:
Fixed Equipment:
F1 Interior windows

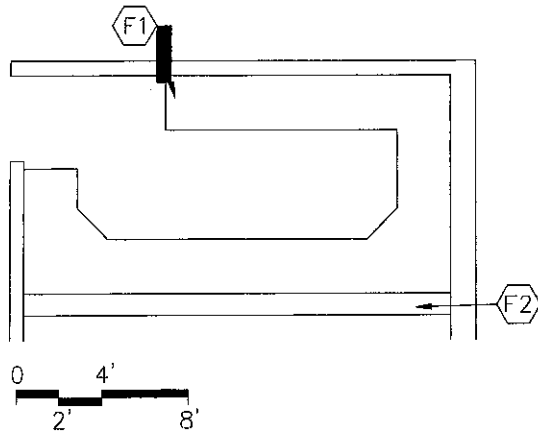
LOOSE FURNISHINGS:
Visitor chairs
End table
Wastebasket

FINISHES:
Flooring:
Carpet

Base:
Resilient base
Ceiling:
Suspended, acoustical
Walls:
Painted gypsum wallboard
over metal studs

NOTES:

1. Electrical: duplex receptacles; single-level switching
2. Technology: video port, voice port & phone; clock



FEATURES:

Fixed Equipment:

- F1 Work surface with file drawers
- F2 High counter top

LOOSE FURNISHINGS:

- Secretarial chair(s)
- Wastebasket(s)

FINISHES:

Flooring:
Carpet

Base:

Resilient base

Ceiling:

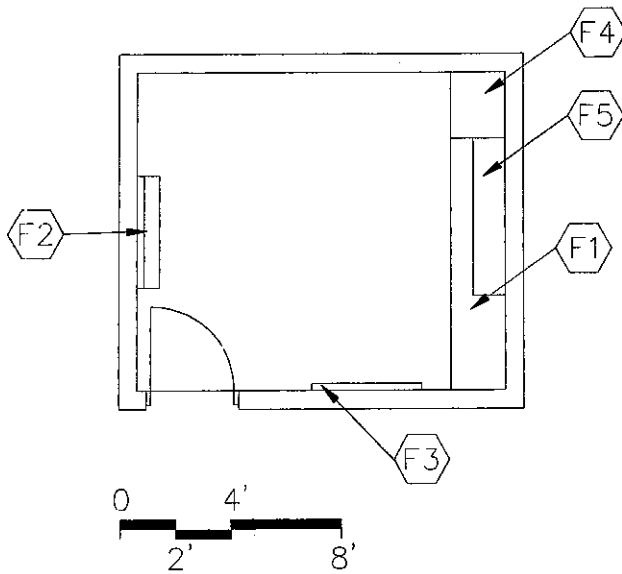
Suspended, acoustical

Walls:

Painted gypsum wallboard
over metal studs

NOTES:

1. Electrical: duplex receptacles; single-level switching
2. Technology: data port, voice port & phone at each secretarial station; fax port, data port for printer; clock
3. Miscellaneous: fax machine; printer; computer/typewriter



FEATURES:

Fixed Equipment:

- F1 Work surface with file drawers
- F2 Chalk/marker board
- F3 Tack board
- F4 Tall wardrobe
- F5 Wall cabinets

LOOSE FURNISHINGS:

- Desk and chair
- Computer desk return
- Visitor chairs
- Wastebasket(s)

FINISHES:

Flooring:
Carpet

Base:

Resilient base

Ceiling:

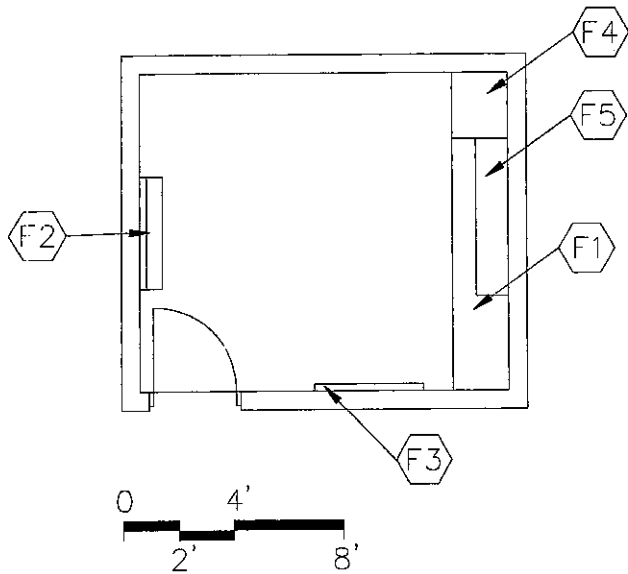
Suspended, acoustical

Walls:

Painted gypsum wallboard
over metal studs

NOTES:

1. Electrical: duplex receptacles; single-level switching
2. Technology: data port, video port, voice port & phone; clock



FEATURES:

Fixed Equipment:

- F1 Work surface with file drawers
- F2 Chalk/marker board
- F3 Tack board
- F4 Tall wardrobe
- F5 Wall cabinets

LOOSE FURNISHINGS:

- Desk and chair
- Computer desk return
- Visitor chairs
- Wastebasket(s)

FINISHES:

Flooring:

Carpet

Base:

Resilient base

Ceiling:

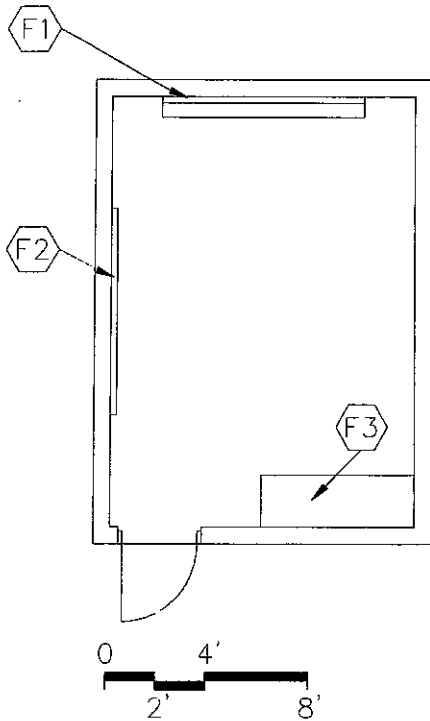
Suspended, acoustical

Walls:

Painted gypsum wallboard
over metal studs

NOTES:

1. Electrical: duplex receptacles; single-level switching
2. Technology: data port, video port, voice port & phone; clock



FEATURES:
Fixed Equipment:
 F1 Chalk/marker board
 F2 Tack board
 F3 Base cabinets

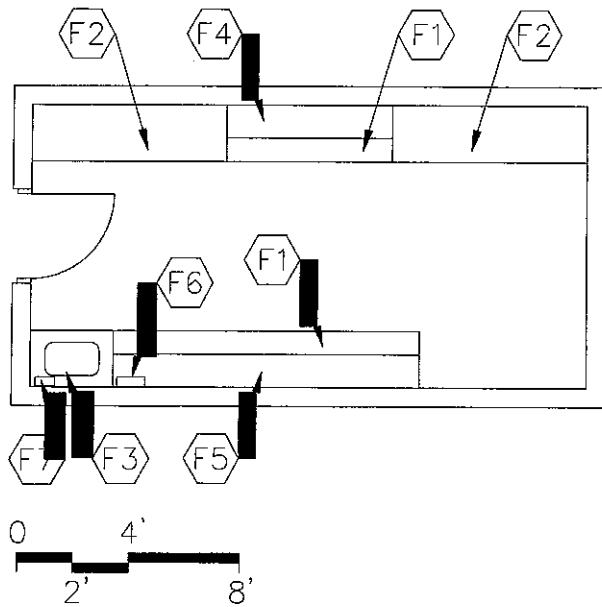
LOOSE FURNISHINGS:
 Conference table
 Chairs
 Wastebasket

FINISHES:
Flooring:
 Carpet

Base:
 Resilient base
Ceiling:
 Suspended, acoustical
Walls:
 Painted gypsum wallboard
 over metal studs

NOTES:

1. Electrical: duplex receptacles; multi-level switching
2. Technology: data port, voice port & phone, video port and video display device; clock



FEATURES: Fixed

Equipment: F1

Base cabinets

F2 Tall storage cabinets

F3 Sink base cabinet

F4 Mail cubicles

F5 Wall cabinets

F6 Towel dispenser

F7 Soap dispenser

LOOSE FURNISHINGS:

Worktable

Wastebasket

FINISHES:

Flooring:

Resilient

Base:

Resilient base

Ceiling:

Suspended, acoustical

Walls:

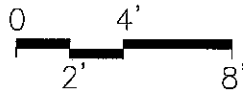
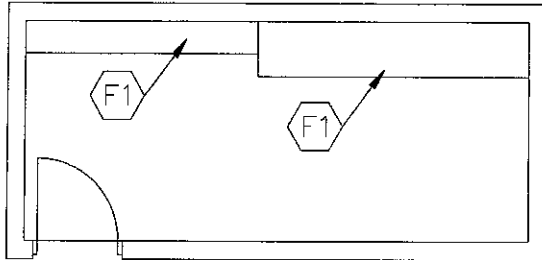
Painted gypsum wallboard over metal studs

NOTES:

1. Electrical: duplex receptacles; single-level switching; receptacle for copier
2. Technology: voice port & phone; clock
3. Plumbing: Sink
4. Miscellaneous: Copier

FEATURES:
Fixed Equipment:
F1 Open metal shelving

LOOSE FURNISHINGS:
File cabinets



FINISHES:
Flooring:
Resilient

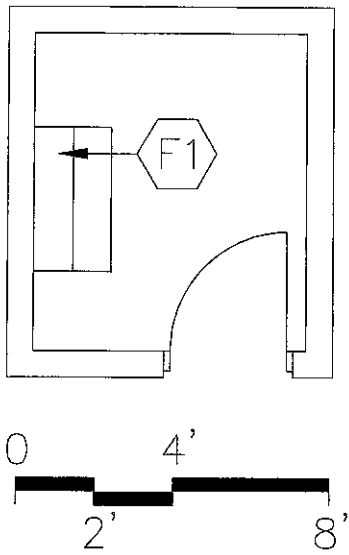
Base:
Resilient base
Ceiling:
Suspended, acoustical or
Exposed, painted structure
Walls:
Painted concrete masonry units

NOTES:

1. Electrical: Duplex receptacle; single-level switching

FEATURES:
Fixed Equipment:
F1 Open metal shelving

LOOSE FURNISHINGS:
File cabinet
Safe

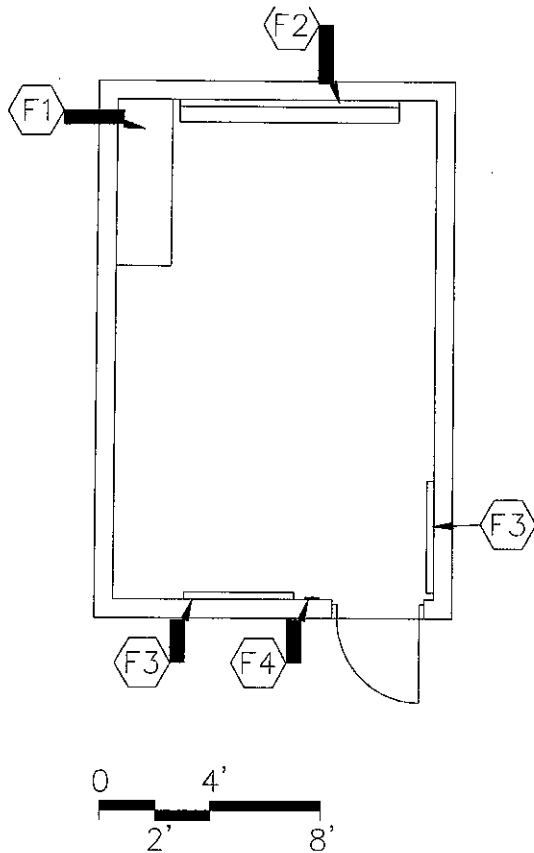


FINISHES:
Flooring:
Sealed concrete

Base:
Resilient base
Ceiling:
Rated 2-hour construction
Walls:
Painted concrete masonry units;
Rated 2-hour construction

NOTES:

1. Electrical: duplex receptacle; single-level switching



FEATURES:

Fixed Equipment:

- F1 Base cabinets
- F2 Chalk/marker board
- F3 Tack board
- F4 Pencil sharpener support

LOOSE FURNISHINGS:

- Student carrels and/or desks
- Student chairs
- Teacher desk and chair
- Computer workstation furniture
- Wastebasket
- Pencil sharpener

FINISHES:

Flooring:
Carpet

Base:

Resilient base

Ceiling:

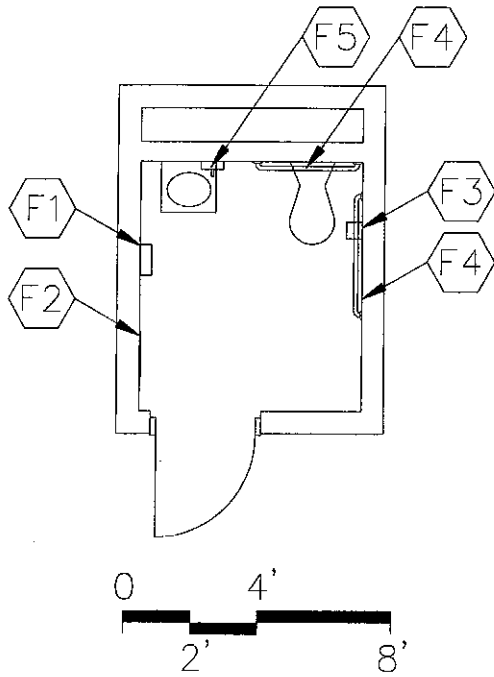
Suspended, acoustical

Walls:

Painted concrete masonry units

NOTES:

1. Electrical: duplex receptacles; single-level switching
2. Technology: video port, data port, voice port & phone; data ports for students; clock



FEATURES:

Fixed Equipment:

- F1 Towel dispenser
- F2 24" x 60" mirror
- F3 Toilet tissue holder
- F4 36" and 42" grab bar
- F5 Soap dispenser

LOOSE FURNISHINGS:

- Wastebasket

FINISHES:

Flooring:

Resilient
(TER)

Optional: Ceramic mosaic tile, porcelain tile, or
terrazzo

Base:

Resilient base (optional: CMT, PT, or

Ceiling:

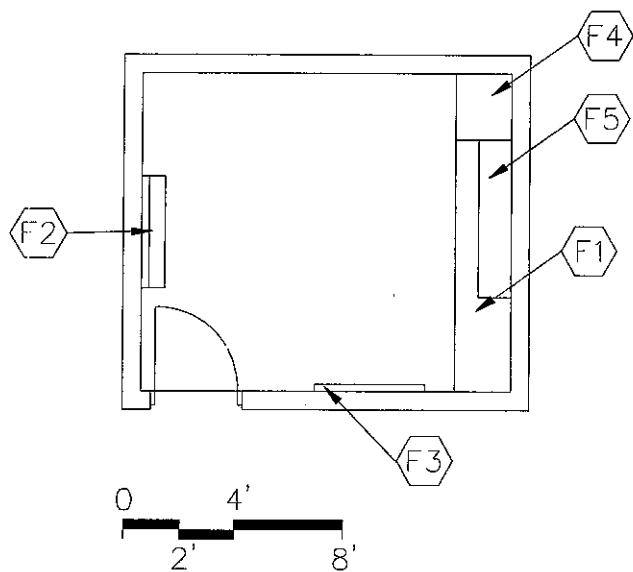
Suspended, acoustical

Walls:

Painted concrete masonry units

NOTES:

1. Plumbing: water closet and lavatory
2. Electrical: duplex receptacle; single-level switching



FEATURES:

Fixed Equipment:

- F1 Work surface with file drawers
- F2 Chalk/marker board
- F3 Tack board
- F4 Tall wardrobe
- F5 Wall cabinets

LOOSE FURNISHINGS:

- Desk and chair
- Computer desk return
- Visitor chairs
- Wastebasket

FINISHES:

Flooring:
Carpet

Base:

Resilient base

Ceiling:

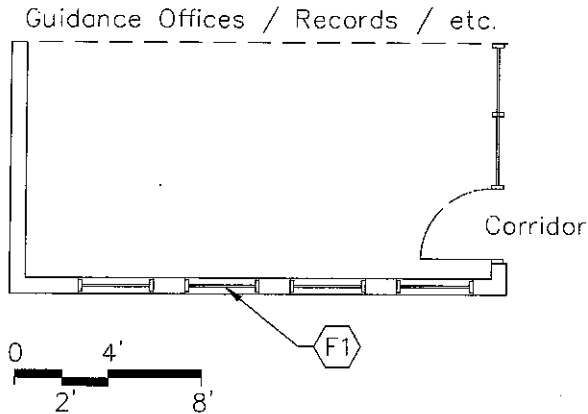
Suspended, acoustical

Walls:

Painted gypsum wallboard
over metal studs

NOTES:

1. Electrical: duplex receptacles; single-level switching
2. Technology: data port, video port, voice port & phone; clock



FEATURES:
Fixed Equipment:
F1 Interior windows

LOOSE FURNISHINGS:
Visitor chairs
End table
Wastebasket

FINISHES:
Flooring:
Carpet

Base:
Resilient base
Ceiling:
Suspended, acoustical
Walls:
Painted gypsum wallboard
over metal studs

NOTES:

1. Electrical: duplex receptacles; single-level switching
2. Technology: video port, voice port & phone; clock

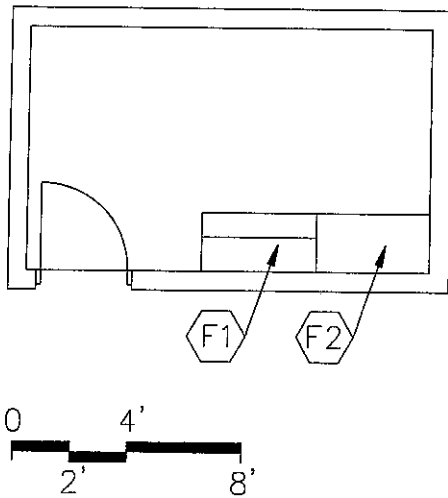
FEATURES:

Fixed Equipment:

- F1 Base and wall cabinets
- F2 Tall storage cabinets

LOOSE FURNISHINGS:

File cabinets



FINISHES:

Flooring:
Resilient

Base:

Resilient base

Ceiling:

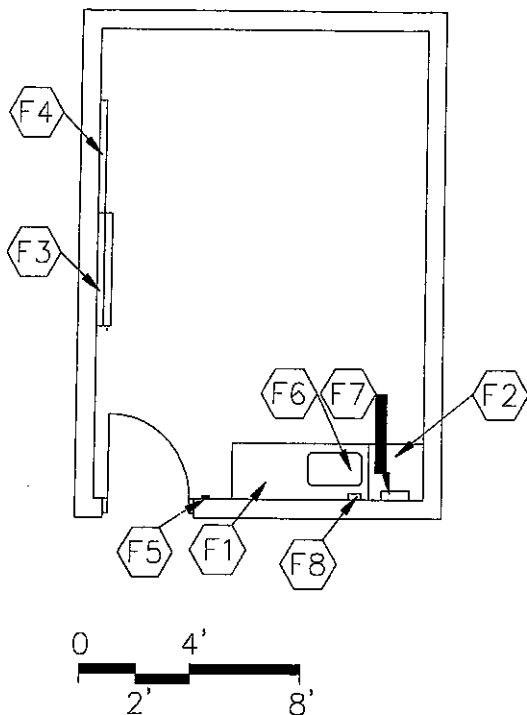
Rated 2-hour construction

Walls:

Painted gypsum wallboard over metal studs; Rated 2 hour construction

NOTES:

1. Electrical: duplex receptacle; single-level switching



FEATURES:

Fixed Equipment:

- F1 Base cabinets
- F2 Tall wardrobe
- F3 Chalk/marker board
- F4 Tack board
- F5 Pencil sharpener support
- F6 Sink base cabinet
- F7 Towel dispenser
- F8 Soap dispenser

LOOSE FURNISHINGS:

- Tables and chairs
- Computer workstation furniture
- Wastebasket
- Pencil sharpener

FINISHES:

Flooring:
Carpet

Base:

Resilient base

Ceiling:

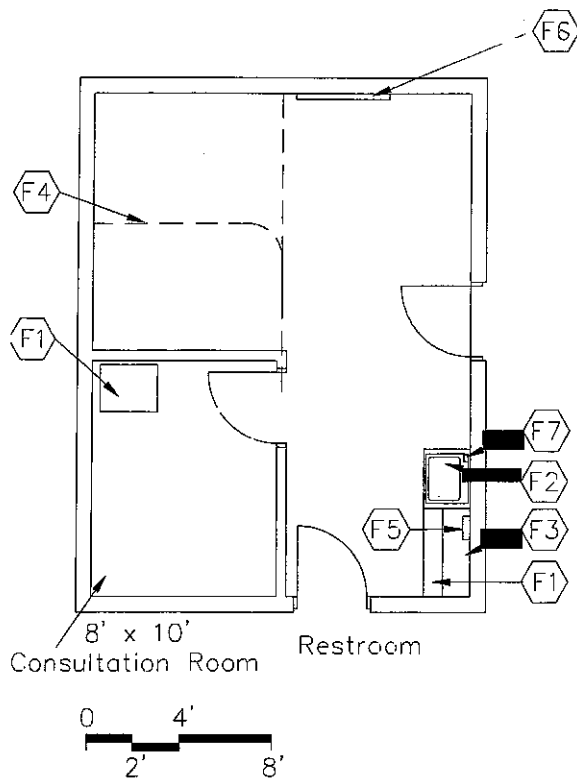
Suspended, acoustical

Walls:

Painted gypsum wallboard over metal studs

NOTES:

1. Electrical: (4) duplex receptacles; single-level switching
2. Technology: (1) each video port, video display device, voice port & phone; data port; clock
3. Plumbing: Sink



FEATURES:

Fixed Equipment:

- F1 Base cabinets
- F2 Sink base cabinet
- F3 Wall cabinets; lockable
- F4 Cubicle curtain and track
- F5 Towel dispenser
- F6 Tack board
- F7 Soap dispenser

LOOSE FURNISHINGS:

- Cots
- Refrigerator with ice making capabilities
- Desk and chair
- Chairs Stool
- Wastebasket

FINISHES:

Flooring:
Seamless sheet vinyl

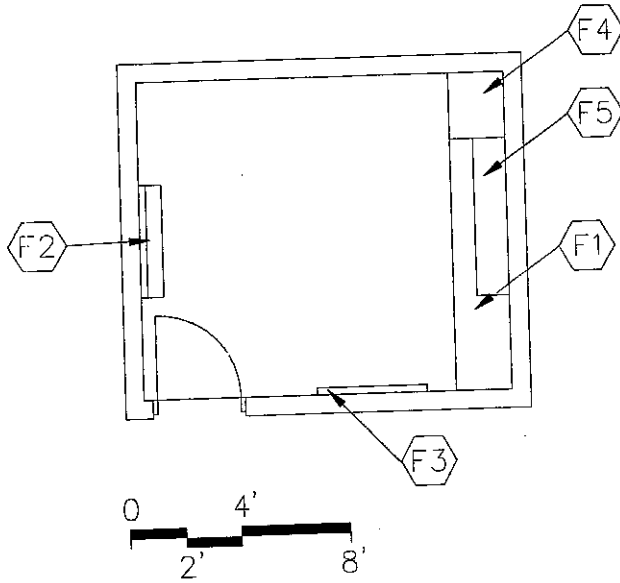
Base:
Resilient base

Ceiling:
Suspended, acoustical

Walls:
Painted gypsum wallboard over metal studs

NOTES:

1. Electrical: duplex receptacles; single-level switching; receptacle for refrigerator
2. Technology: voice port & phone; data port; clock
3. Plumbing: Sink
4. Restroom must be located adjacent to health clinic.



FEATURES:

Fixed Equipment:

- F1 Work surface with file drawers
- F2 Chalk/marker board
- F3 Tack board
- F4 Tall wardrobe
- F5 Wall cabinets

LOOSE FURNISHINGS:

- Desk and chair
- Computer desk return
- Visitor chairs
- Wastebasket(s)

FINISHES:

Flooring:
Carpet

Base:

Resilient base

Ceiling:

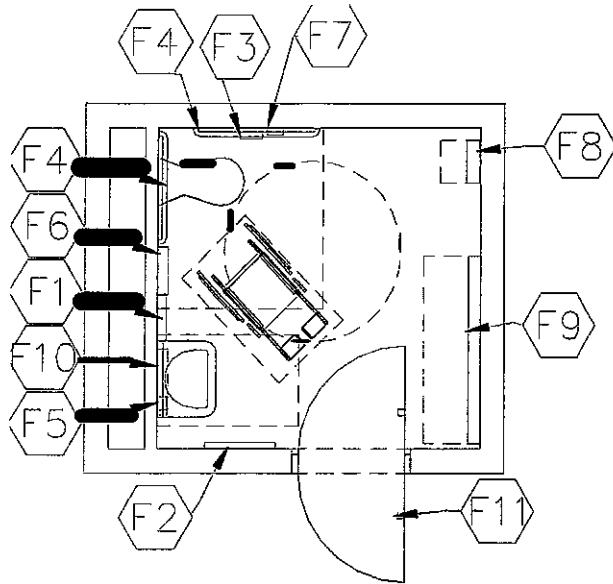
Suspended, acoustical

Walls:

Painted gypsum wallboard
over metal studs

NOTES:

1. Electrical: duplex receptacles; single-level switching
2. Technology: data port, video port, voice port & phone; clock



FEATURES:

Fixed Equipment:

- F1 Towel dispenser
- F2 24" x 60" mirror
- F3 Toilet tissue holder
- F4 36" and 42" grab bar
- F5 Soap dispenser
- F6 Sanitary napkin dispenser/disposal
- F7 Folding utility shelf
- F8 Mounted child seat
- F9 Adult/child changing station
- F10 16" x 24" mirror with shelf
- F11 Coat hooks

LOOSE FURNISHINGS:

- Wastebasket

FINISHES:

Flooring:

Resilient
TER)

Optional: Ceramic mosaic tile, porcelain tile, or
terrazzo

Base:

Resilient base (optional: CMT, PT, or

Ceiling:

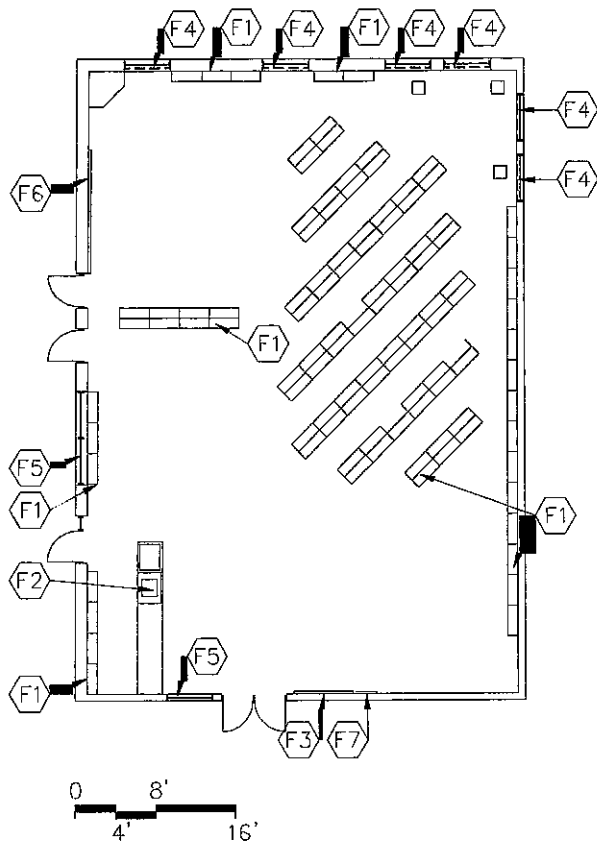
Suspended, acoustical

Walls:

Painted concrete masonry units

NOTES:

1. Plumbing: water closet and lavatory; floor drain
2. Electrical: duplex receptacle; single-level switching



FEATURES:

Fixed Equipment:

- F1 Library book shelving
- F2 Circulation desk casework
- F3 Tack board
- F4 Windows with integral blinds
- F5 Interior windows
- F6 Chalk/marker board
- F7 Pencil sharpener support

LOOSE FURNISHINGS:

- Student tables and chairs
- Computer workstation furniture
- Circulation desk task chair
- Atlas/dictionary stand
- Paperback book rack
- Lateral file
- Mobile book carts
- Magazine display
- Newspaper rack
- Study carrels
- Wastebaskets
- Pencil sharpener

FINISHES:

Flooring:
Carpet

Base:

Resilient base

Ceiling:

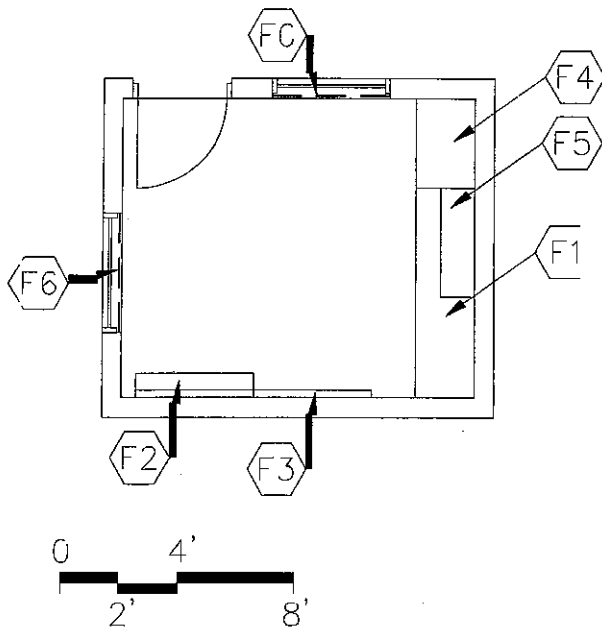
Suspended, acoustical

Walls:

Painted concrete masonry units

NOTES:

1. Electrical: duplex receptacles; single-level switching
2. Technology: video ports and video display devices, voice port & phone; (data ports for students; data port for library automation system; clock



FEATURES:

Fixed Equipment:

- F1 Work surface with file drawers
- F2 Chalk/marker board
- F3 Tack board
- F4 Tall wardrobe
- F5 Wall cabinets
- F6 Interior window

LOOSE FURNISHINGS:

- Desk and chair
- Computer desk return
- Visitor chairs
- File cabinet
- Wastebasket(s)

FINISHES:

Flooring:
Carpet

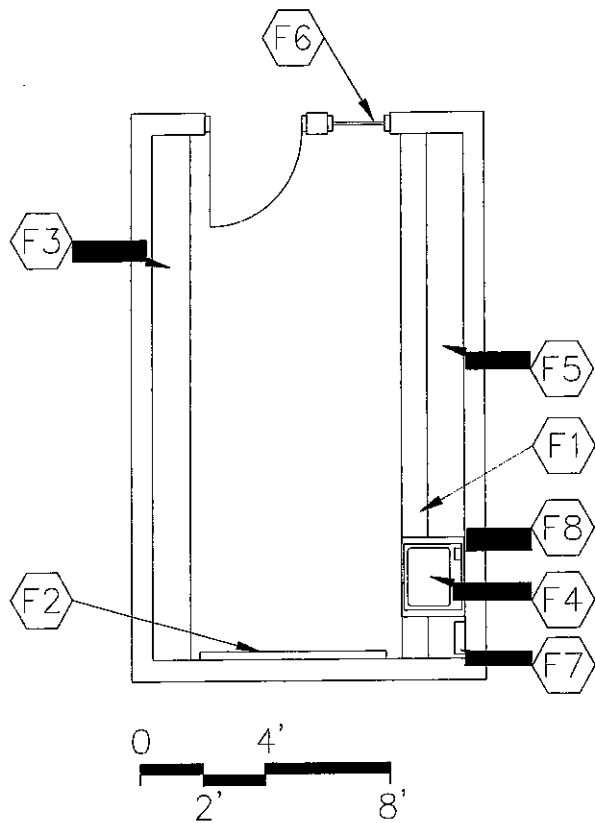
Base:
Resilient base

Ceiling:
Suspended, acoustical

Walls:
Painted concrete masonry units

NOTES:

1. Electrical: duplex receptacles; single-level switching
2. Technology: data port, video port, voice port & phone; clock



- FEATURES: Fixed**
Equipment: F1
 Base cabinets
 F2 Tack board
 F3 Bookcases
 F4 Sink base cabinet
 F5 Wall cabinets F6
 Interior window
 F7 Towel dispenser
 F8 Soap dispenser

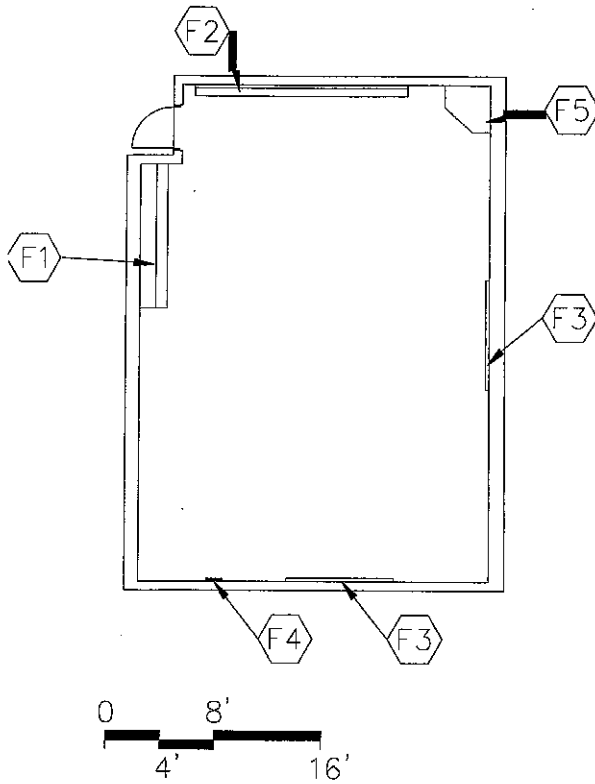
- LOOSE FURNISHINGS:**
 Tables and chairs
 Book trucks
 Wastebasket

FINISHES:
Flooring:
 Resilient

Base:
 Resilient base
Ceiling:
 Suspended, acoustical
Walls:
 Painted concrete masonry units

NOTES:

1. Electrical: duplex receptacles; single-level switching
2. Technology: data port, voice port & phone; clock
3. Plumbing: Sink



FEATURES:

Fixed Equipment:

- F1 Base & wall cabinets
- F2 Chalk/marker board
- F3 Tack board
- F4 Pencil sharpener support
- F5 Tall wardrobe with file drawers

LOOSE FURNISHINGS:

- Computer workstation furniture
- Student chairs
- Teacher workstation/computer support and chair
- File cabinet
- Wastebasket
- Pencil sharpener

FINISHES:

Flooring:
Carpet

Base:

Resilient base

Ceiling:

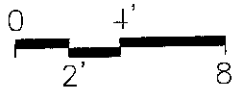
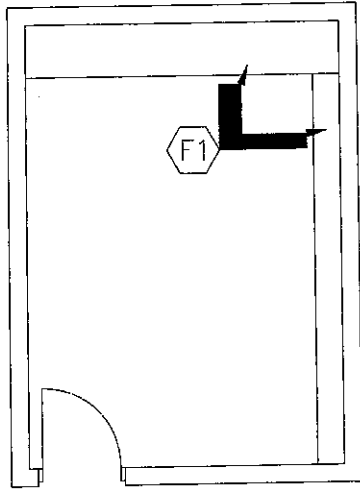
Suspended, acoustical

Walls:

Painted concrete masonry units

NOTES:

1. Electrical: duplex receptacles; multi-level switching
2. Technology: video port, voice port & phone; data port near teacher workstation; clock; overhead projector; classroom area network (26 ports minimum)
3. Miscellaneous: Classroom area network file server; printer



FEATURES:
Fixed Equipment:
F1 Tail shelving

LOOSE FURNISHINGS:
Desk and chair
Wastebasket

FINISHES:
Flooring:
Resilient

structure

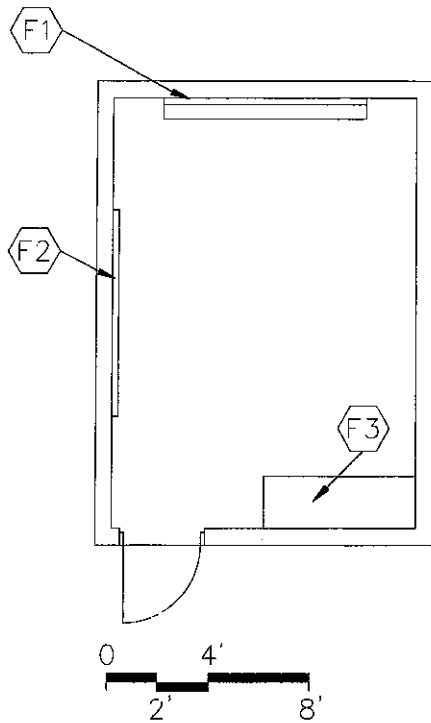
Base:
Resilient base

Ceiling:
Suspended, acoustical or painted

Walls:
Painted concrete masonry units

NOTES:

1. Electrical: duplex receptacles; single-level switching
2. Technology: data port, voice port and phone



FEATURES:

Fixed Equipment:

- F1 Chalk/marker board
- F2 Tack board
- F3 Base cabinets

LOOSE FURNISHINGS:

- Conference table
- Chairs
- Wastebasket

FINISHES:

Flooring:
Carpet

Base:

Resilient base

Ceiling:

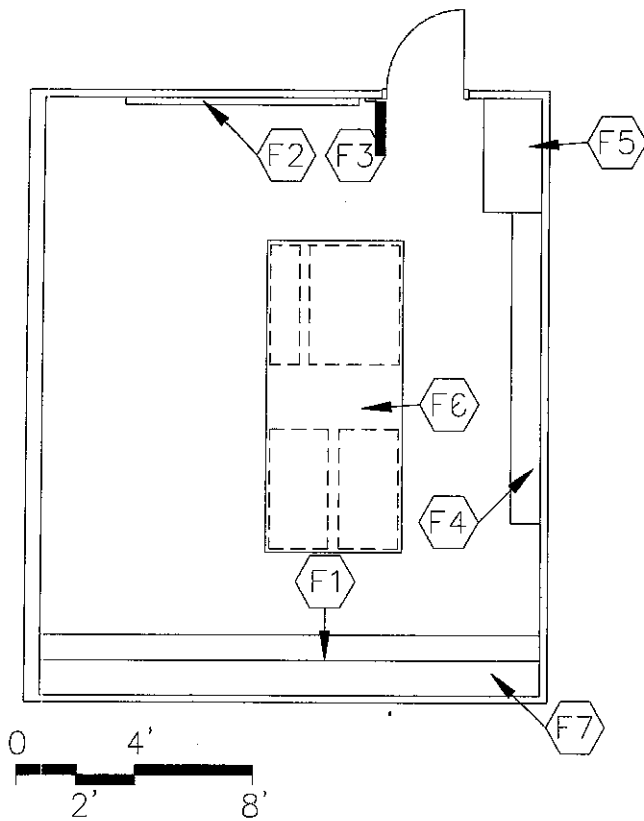
Suspended, acoustical

Walls:

Painted concrete masonry units

NOTES:

1. Electrical: duplex receptacles; multi-level switching
2. Technology: data port, voice port & phone, video port and video display device; clock



FEATURES:

Fixed Equipment:

- F1 Base cabinets with file drawers
- F2 Tack board
- F3 Pencil sharpener support
- F4 Tall bookcases
- F5 Tall cabinets
- F6 Work surface with base cabinets below
- F7 Wall cabinets

LOOSE FURNISHINGS:

- Tables and chairs/stools
- Computer workstation furniture
- Wastebasket
- Pencil sharpener

FINISHES:

Flooring:
Resilient

Base:

Resilient base

Ceiling:

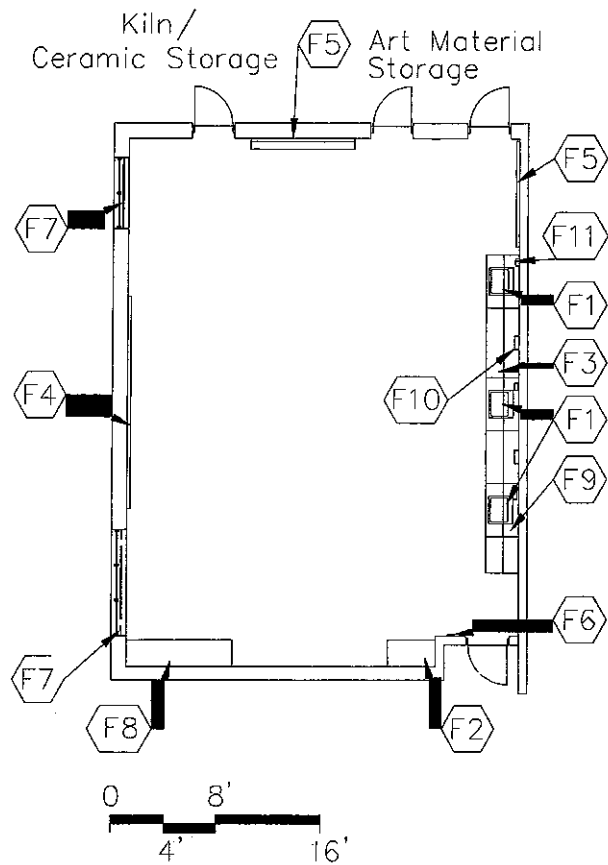
Suspended, acoustical

Walls:

Painted concrete masonry units

NOTES:

1. Electrical: duplex receptacles; multi-level switching
2. Technology: video port and video display device, voice port & phone; data ports for students; clock



FEATURES:

Fixed Equipment:

- F1 Sink base cabinet, 30" deep
- F2 Tall wardrobe w/file drawers
- F3 Base cabinets, 30" deep
- F4 Tack board
- F5 Chalk/marker board
- F6 Pencil sharpener support
- F7 Windows with integral blinds
- F8 Tall storage cabinets
- F9 Wall cabinets
- F10 Towel dispensers
- F11 Soap dispensers

LOOSE FURNISHINGS:

- Student work tables
- Computer workstation furniture
- Student chairs or stools
- Teacher workstation/computer support and chair
- Drying rack
- Desk height file cabinet
- Wastebasket
- Pencil sharpener

FINISHES:

Flooring:

Resilient or sealed concrete

Base:

Resilient base

Ceiling:

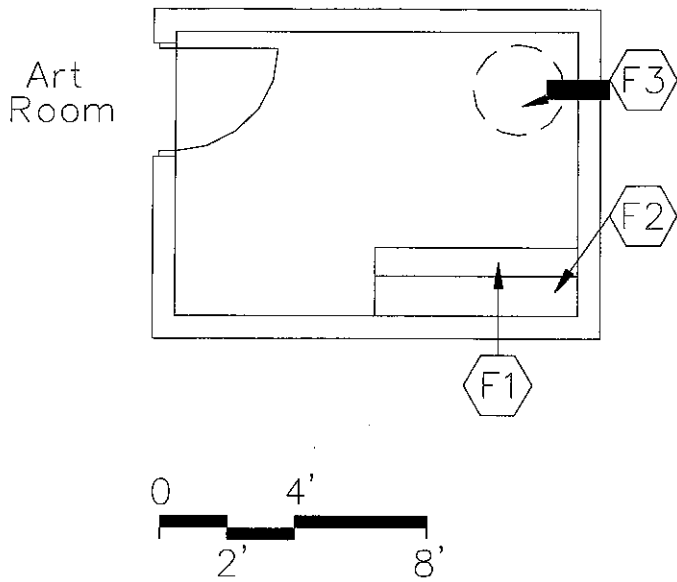
Suspended, acoustical

Walls:

Painted concrete masonry units

NOTES:

1. Electrical: duplex receptacles; multi-level switching; track lighting
2. Technology: video port, data port, voice port & phone; clock; overhead projector data ports for students
3. Plumbing: Sinks with solids interceptor
4. HVAC: Manually operated exhaust system



FEATURES:

- Fixed Equipment:**
 F1 Base cabinets
 F2 Wall cabinets
 F3 Kiln

LOOSE FURNISHINGS:

- Tall dry storage units
 Tall damp storage units

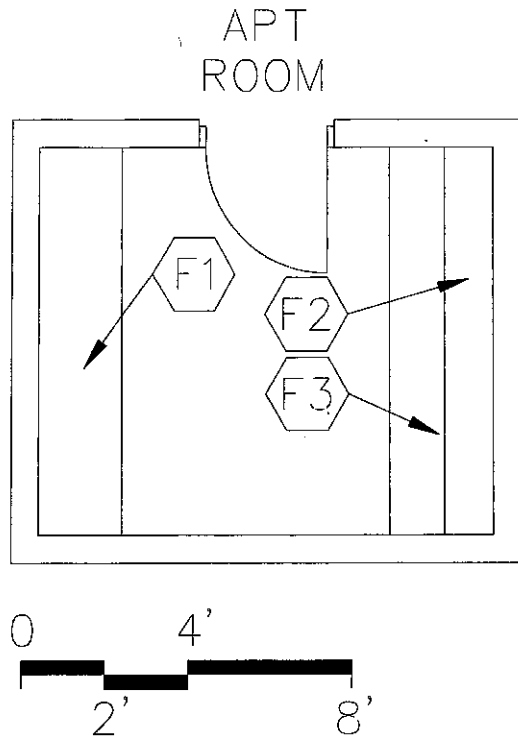
FINISHES:

Flooring:
 Sealed concrete

Base:
 Resilient base
Ceiling:
 Suspended, acoustical
Walls:
 Painted concrete masonry units;

NOTES:

1. Electrical: duplex receptacle; single-level switching; electrical connection for kiln
2. HVAC: Temperature controlled exhaust; ventilation for kiln



FEATURES:

Fixed Equipment:

- F1 Tall storage cabinets
- F2 Base cabinets, 30" deep
- F3 Wall cabinets, 12" deep

LOOSE FURNISHINGS:

Mobile materials cart

FINISHES:

Flooring:
Resilient

Base:

Resilient base

Ceiling:

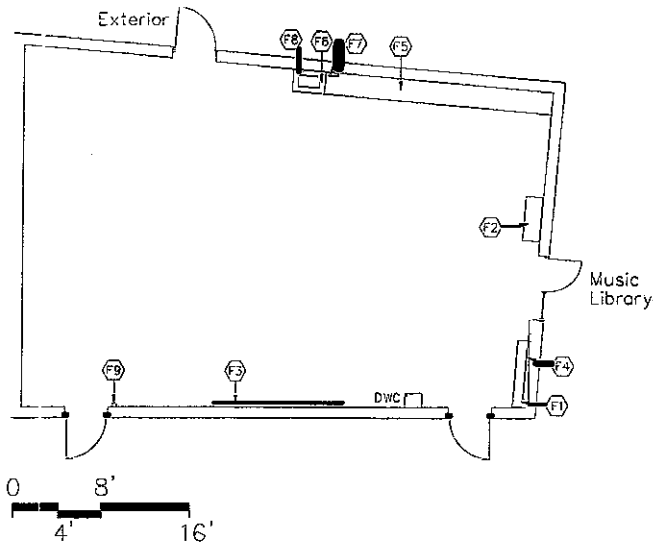
Suspended, acoustical or
Exposed, painted structure

Walls:

Painted concrete masonry units

NOTES:

1. Electrical: duplex receptacle; single-level switching



FEATURES:

Fixed Equipment:

- F1 Bookshelves
- F2 Tall cabinets
- F3 Chalk/marker board with staff lines
- F4 Tack board
- F5 Miscellaneous instrument storage cabinets
- F6 Sink base cabinet
- F7 Towel dispenser
- F8 Soap dispenser
- F9 Pencil sharpener support

LOOSE FURNISHINGS:

- Conducting podium
- Mobile percussion instrument storage cabinet
- Computer workstation furniture
- Mobile sheet music cabinet
- Music chairs
- Music stands
- Wastebasket
- Pencil sharpener

FINISHES:

Flooring:

- Carpet
- Optional: Resilient

Base:

- Resilient base

Ceiling:

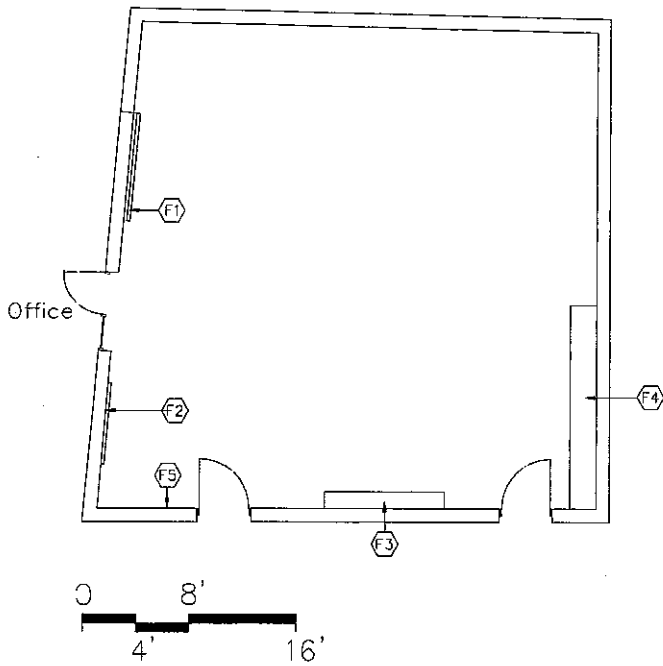
- Suspended, acoustical

Walls:

- Painted concrete masonry units
- Acoustical wall treatment

NOTES:

1. Electrical: duplex receptacles; multi-level switching; telecommunications grounding
2. Technology: video port, voice port & phone; data ports for students; clock; overhead projector
3. Plumbing: Drinking water cooler and sink
4. Miscellaneous: Piano



FEATURES:

Fixed Equipment:

- F1 Chalk/marker board with staff lines
- F2 Tack board
- F3 Bookcases
- F4 Tall cabinets
- F5 Pencil sharpener support

LOOSE FURNISHINGS:

- Conducting podium
- Computer workstation furniture
- Mobile sheet music cabinet
- Music chairs
- Portable risers
- Wastebasket
- Pencil sharpener

FINISHES:

Flooring:

- Carpet
- Optional: Resilient

Base:

- Resilient base

Ceiling:

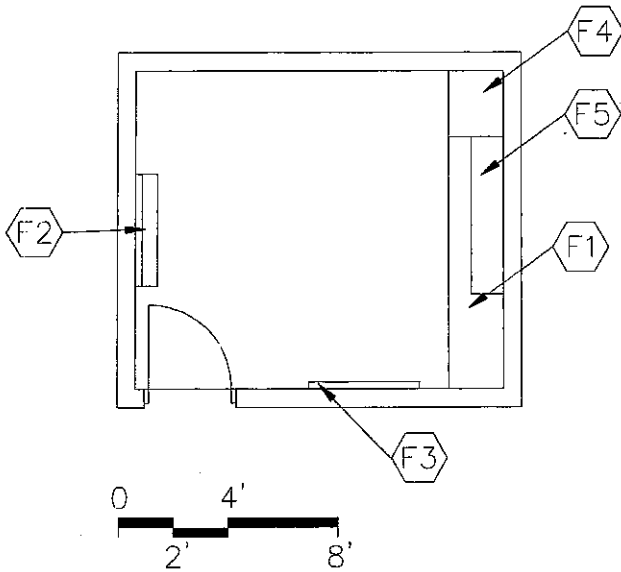
- Suspended, acoustical

Walls:

- Painted concrete masonry units
- Acoustical wall treatment (optional)

NOTES:

1. Electrical: duplex receptacles; multi-level switching; telecommunications grounding
2. Technology: video port, voice port & phone; data ports for students; clock; overhead projector
3. Miscellaneous: Piano



FEATURES:

Fixed Equipment:

- F1 Work surface with file drawers
- F2 Chalk/marker board
- F3 Tack board
- F4 Tall wardrobe
- F5 Wall cabinets

LOOSE FURNISHINGS:

- Desk and chair
- Computer desk return
- Visitor chairs
- Wastebasket

FINISHES:

Flooring:
Carpet

Base:

Resilient base

Ceiling:

Suspended, acoustical

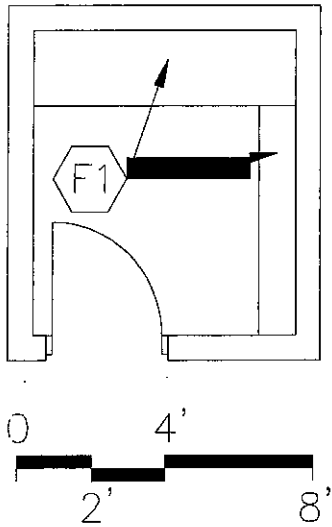
Walls:

Painted gypsum wallboard
over metal studs or

Painted concrete masonry units

NOTES:

1. Electrical: duplex receptacles; single-level switching
2. Technology: data port, video port, voice port & phone; clock



FEATURES:
Fixed Equipment:
F1 Base and wall cabinets

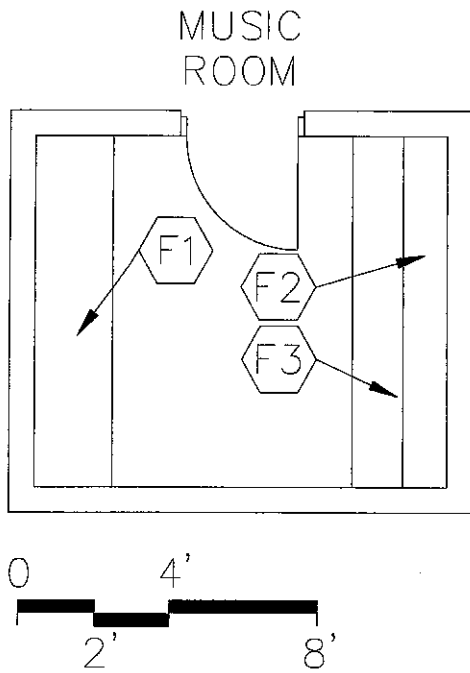
LOOSE FURNISHINGS:
Wastebasket

FINISHES:
Flooring:
Carpet

Base:
Resilient base
Ceiling:
Suspended, acoustical
Walls:
Painted gypsum wallboard
over metal studs or
Painted concrete masonry units

NOTES:

1. Electrical: duplex receptacles; single-level switching



FEATURES:

Fixed Equipment:

- F1 Tall storage cabinets
- F2 Base cabinets, 30" deep
- F3 Wall cabinets, 12" deep

LOOSE FURNISHINGS:

Lateral files

FINISHES:

Flooring:
Resilient

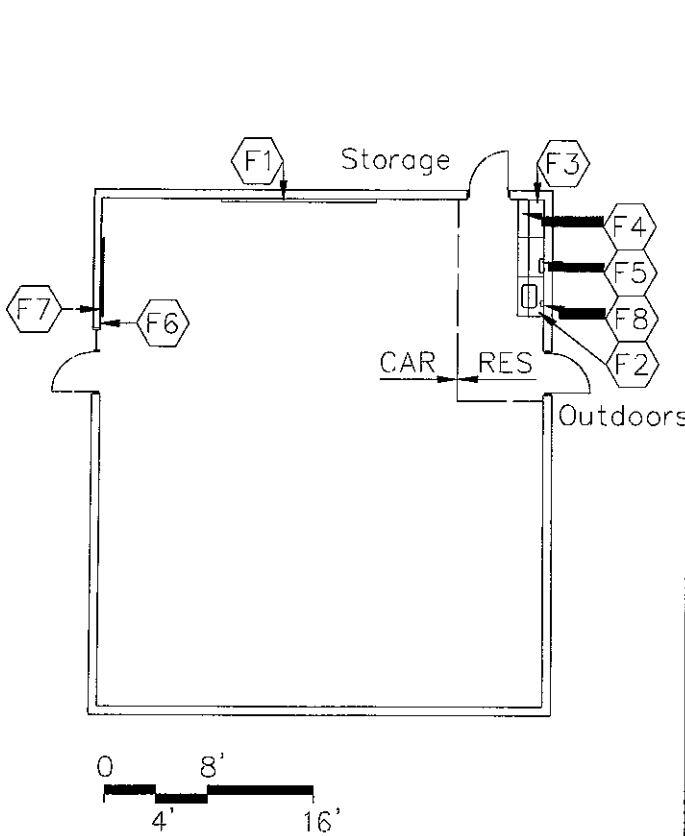
Base:
Resilient base

Ceiling:
Suspended, acoustical

Walls:
Painted concrete masonry units

NOTES:

1. Electrical: duplex receptacle; single-level switching



FEATURES:

Fixed Equipment:

- F1 Chalk/marker board
- F2 Sink base cabinet
- F3 Wall cabinets
- F4 Base cabinet with heavy duty countertop
- F5 Towel dispenser
- F6 Pencil sharpener support
- F7 Tack board
- F8 Soap dispenser

LOOSE FURNISHINGS:

- Teacher desk/computer support and chair
- Tables with heavy duty top
- Student stools/chairs
- Computer technology workstation
- File cabinet
- Wastebasket
- Pencil sharpener

FINISHES:

Flooring:

- Carpet
- Resilient
- 4' width in front of cabinets

Base:

- Resilient base

Ceiling:

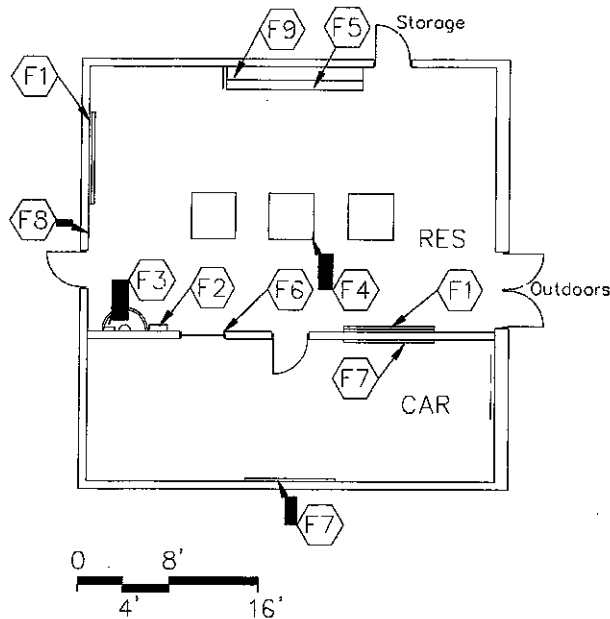
- Suspended, acoustical

Walls:

- Painted concrete masonry units

NOTES:

1. Electrical: duplex receptacles; multi-level switching; fluorescent lighting with parabolic lenses; receptacle for printer
2. Plumbing: 12" deep sink; plumbing connections
3. Technology: video port, voice port and phone; clock; overhead projector; classroom area network (25 ports minimum)
4. Miscellaneous: Printer; classroom area network file server

**FEATURES:****Fixed Equipment:**

- F1 Chalk/marker board
- F2 Towel dispenser
- F3 Soap dispenser
- F4 Workbench and locker base
- F5 Heavy duty countertop at 36" high with knee space
- F6 Interior window
- F7 Tack board
- F8 Pencil sharpener support
- F9 Wall cabinets

LOOSE FURNISHINGS:

- Teacher desk/computer support and chair
- Tables with heavy duty top
- Student stools
- Computer technology workstation with chairs
- File cabinet
- Wastebasket
- Waste receptacle
- Pencil sharpener

FINISHES:**Flooring:**

Resilient, carpet

Base:

Resilient base

Ceiling:

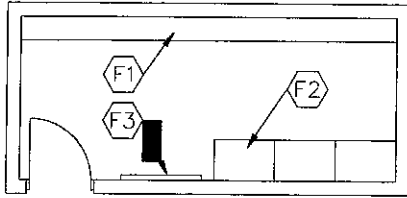
Painted, exposed structure
Suspended acoustical in classroom area

Walls:

Painted concrete masonry units

NOTES:

1. Electrical: duplex receptacles; multi-level switching in computer area; electrical power for shop equipment; master shut-off for power equipment
2. HVAC: Localized dust collection system as necessary
3. Plumbing: Washfountain; plumbing connections
4. Technology: video port, voice port and phone; clock; overhead projector; classroom area network (25 ports minimum)
5. Miscellaneous: Printer; classroom area network file server; shop equipment with localized dust collection as necessary



FEATURES:

Fixed Equipment:

- F1 Open metal shelving
- F2 Tall cabinets
- F3 Pegboard

LOOSE FURNISHINGS:

- Mobile tool cart

FINISHES:

Flooring:
Sealed concrete

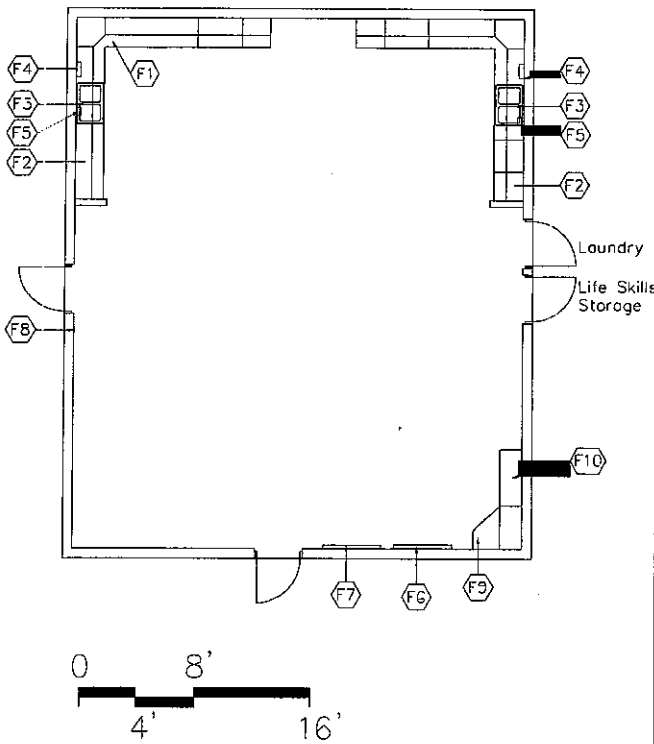
Base:
Resilient base

Ceiling:
Suspended, acoustical or
Exposed, painted structure

Walls:
Painted concrete masonry units

NOTES:

1. Electrical: duplex receptacle



FEATURES:

Fixed Equipment:

- F1 Base cabinets
- F2 Wall cabinets
- F3 Sink base cabinet
- F4 Towel dispensers
- F5 Soap dispensers
- F6 Chalk/marker board
- F7 Tack board
- F8 Pencil sharpener support
- F9 Tall wardrobe with file drawers
- F10 Bookcases

LOOSE FURNISHINGS:

- Tables and chairs
- Microwaves
- Refrigerators
- Ranges and ovens
- Dishwasher
- Sewing machines
- Computer workstation furniture
- Teacher workstation/computer support and chair
- File cabinet
- Wastebaskets
- Pencil sharpener

FINISHES:

Flooring:
Resilient

Base:

Resilient base

Ceiling:

Suspended, acoustical

Walls:

Painted concrete masonry units

NOTES:

1. Electrical: duplex receptacles; multi-level switching; receptacles for appliances
2. Technology: video port, voice port & phone; data ports for student use; clock; overhead projector
3. HVAC: Manually operated exhaust air system
4. Plumbing: Double sinks

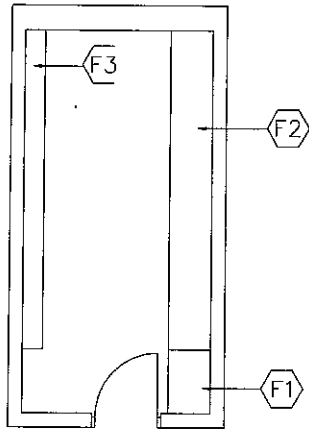
FEATURES:

Fixed Equipment:

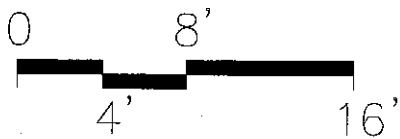
- F1 Tall wardrobe
- F2 Tall cabinets
- F3 Open tall cabinets

LOOSE FURNISHINGS:

NA



Life Skills Lab



FINISHES:

Flooring:
Resilient

Base:

Resilient base

Ceiling:

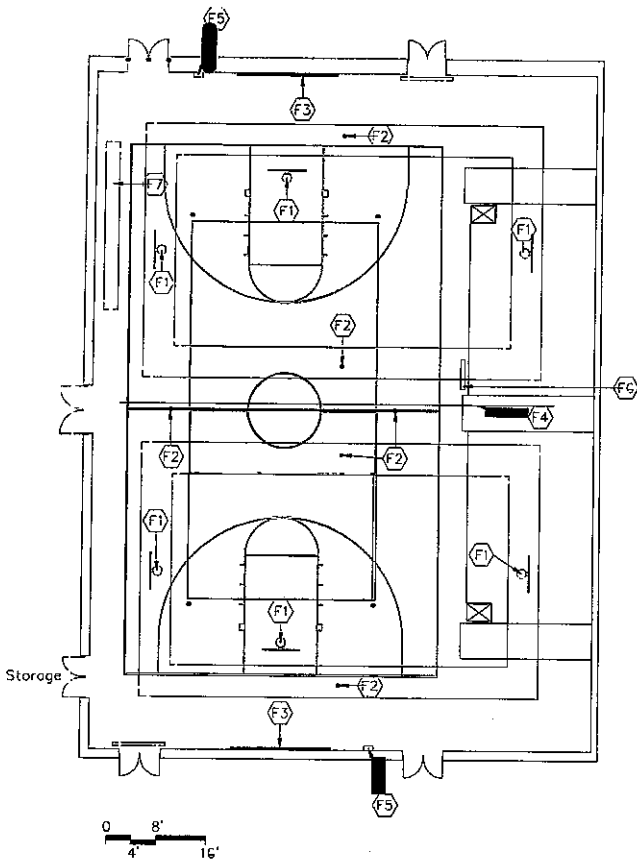
Suspended, acoustical

Walls:

Painted concrete masonry units

NOTES:

1. Electrical: duplex receptacle; single-level switching



FEATURES:

Fixed Equipment:

- F1 Basketball backstops – glass, adjustable height
- F2 Volleyball sleeves and standards on a cart
- F3 Safety wall wainscot
- F4 Divider gym curtain
- F5 Chin-up bar
- F6 Scorer table
- F7 Wrestling mat hoist

LOOSE FURNISHINGS:

- Wrestling mat
- Portable chalkboard

MISCELLANEOUS:

- Handicapped seating
- Court markings
- Wire guards on light fixtures and wall-mounted electrical devices

FINISHES:

Flooring:
Wood flooring

Base:

Ventilated resilient base

Ceiling:

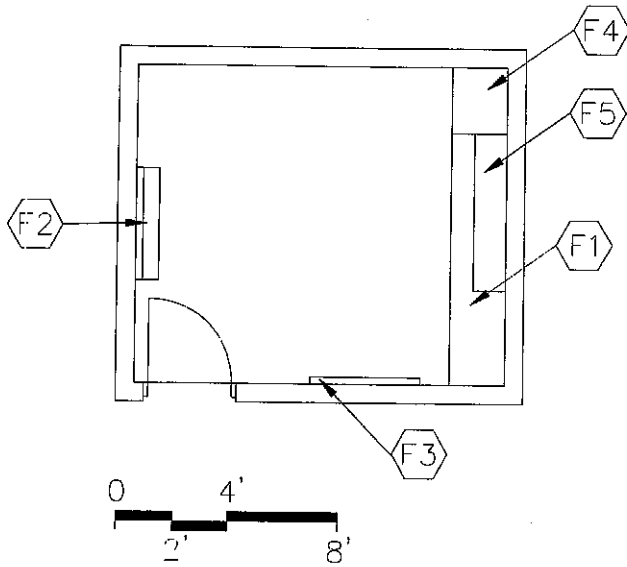
Painted, exposed structure

Walls:

Painted concrete masonry units
Sound absorbing concrete masonry units on 2 walls

NOTES:

1. Electrical: duplex receptacles; single-level switching; scoreboard; telecommunications grounding
2. Technology: video ports, monitor with cart; voice port; data ports; clocks with wire guards



FEATURES:

Fixed Equipment:

- F1 Work surface with file drawers
- F2 Chalk/marker board
- F3 Tack board
- F4 Tall wardrobe
- F5 Wall cabinets

LOOSE FURNISHINGS:

- Desk and chair
- Computer desk return
- Visitor chairs
- Wastebasket

FINISHES:

Flooring:
Resilient

Base:

Resilient base

Ceiling:

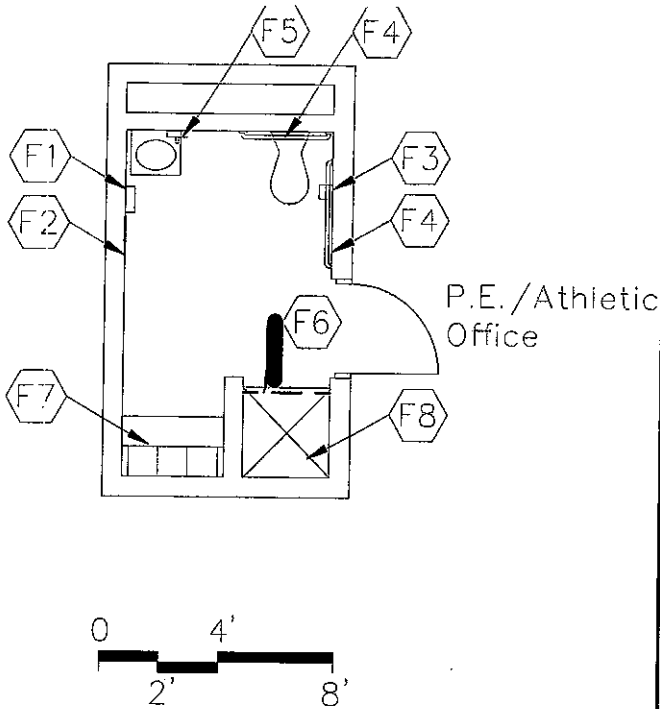
Suspended, acoustical

Walls:

Painted concrete masonry units

NOTES:

1. Electrical: duplex receptacles; single-level switching
2. Technology: data port, video port, voice port & phone; clock



FEATURES:

Fixed Equipment:

- F1 Towel dispenser
- F2 24" x 60" mirror
- F3 Toilet tissue holder
- F4 36" and 42" grab bar
- F5 Soap dispenser
- F6 Shower curtain and rod
- F7 3 athletic lockers
- F8 ADA shower accessories

LOOSE FURNISHINGS:

- Wastebasket

FINISHES:

Flooring:

- Restroom - Resilient
- Shower - Ceramic mosaic tile, porcelain tile, or terrazzo

Base:

- Restroom - Resilient base
- Shower - Ceramic mosaic tile, porcelain tile, or terrazzo

Ceiling:

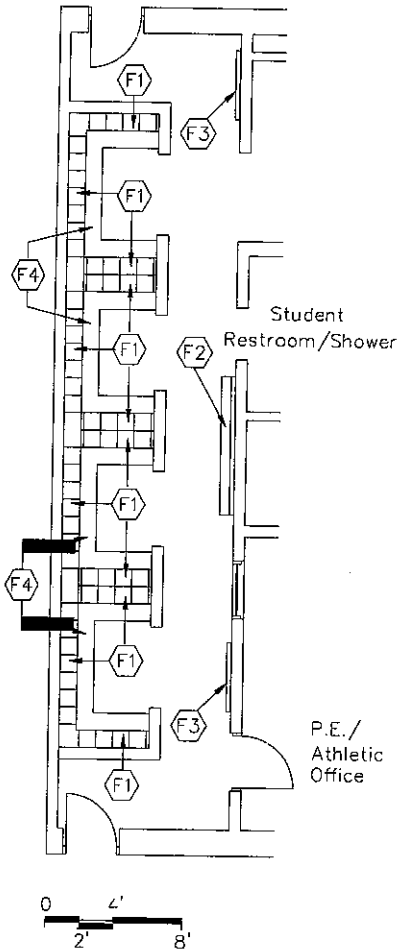
- Restroom - Suspended, acoustical
- Shower - Painted portland cement plaster or interior finish system

Walls:

- Epoxy painted concrete masonry units

NOTES:

1. Plumbing: water closet and lavatory; ADA shower controls and head; floor drain
2. Electrical: duplex receptacle; single-level switching



FEATURES:

Fixed Equipment:

- F1 Athletic lockers
- F2 Chalk/marker board
- F3 Tack board
- F4 Locker benches

LOOSE FURNISHINGS:

- Wastebaskets

FINISHES:

Flooring:
Resilient or sealed concrete

Base:

Resilient base

Ceiling:

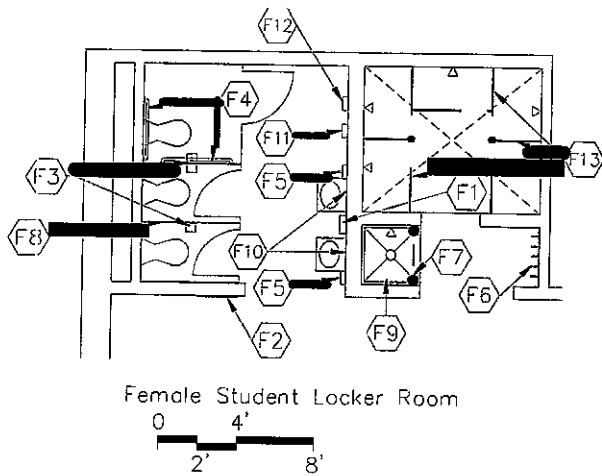
Suspended, acoustical with high-impact, hold-down clips (option: exposed, painted, pre-cast units)

Walls:

Painted concrete masonry units

NOTES:

1. Electrical: duplex receptacles; single-level switching
2. Technology: Clock
3. Plumbing: Drinking fountain



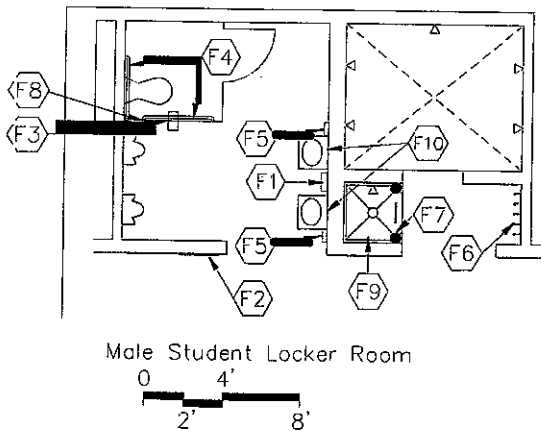
FEATURES:

Fixed Equipment:

- F1 Towel dispensers
- F2 24" by 60" mirror
- F3 Toilet tissue holders
- F4 36" and 42" grab bars
- F5 Soap dispensers
- F6 Towel hooks
- F7 Shower curtain and rod
- F8 Toilet partitions
- F9 ADA shower accessories
- F10 16" by 24" mirrors
- F11 Sanitary product dispensers
- F12 Sanitary product receptacles
- F13 Modesty shower partitions

LOOSE FURNISHINGS:

- Wastebaskets



FINISHES:

Flooring:

Restroom - Resilient

Shower - Ceramic mosaic tile, porcelain tile, or terrazzo

Base:

Restroom - Resilient base

Shower - Ceramic mosaic tile base, porcelain tile, or Terrazzo

Ceiling:

Restroom - Suspended, acoustical with high-impact, hold-down clips

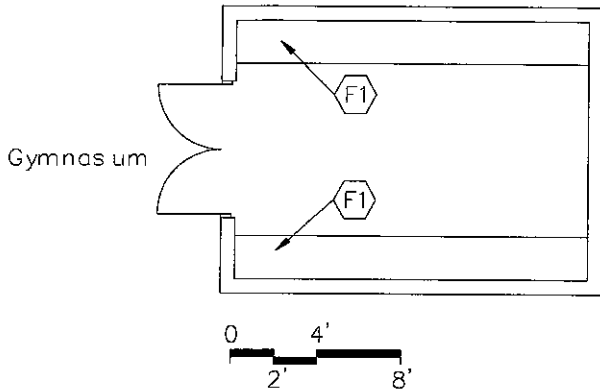
Shower - Painted portland cement plaster or interior finish system

Walls:

Epoxy-painted concrete masonry units

NOTES:

1. Electrical: duplex receptacle; single-level switching
2. Plumbing: water closets, lavatories, urinals; ADA shower controls and head; shower fixtures; floor drains



FEATURES:
Fixed Equipment:
F1 Open metal shelving

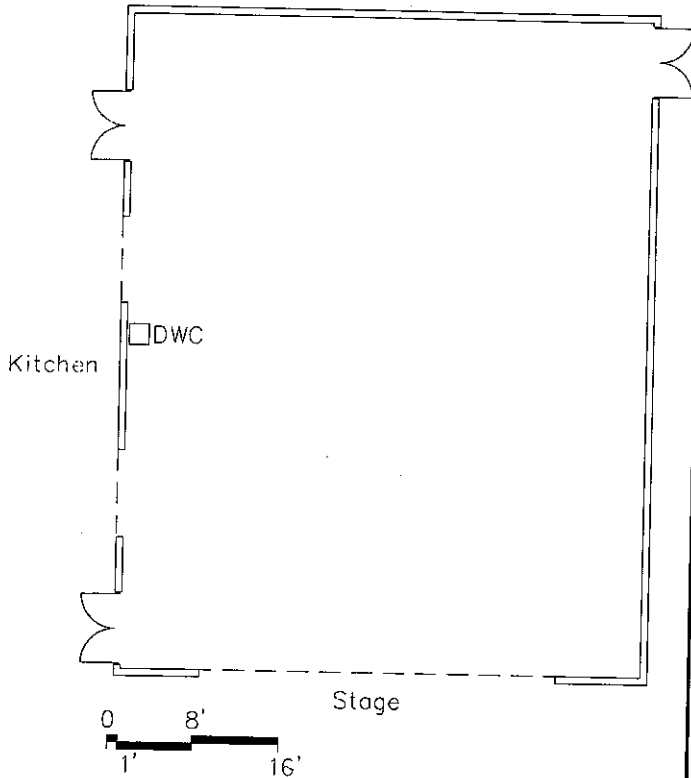
LOOSE FURNISHINGS:
Tumbling mats on carts
Ball carts

FINISHES:
Flooring:
Sealed concrete

Base:
Resilient base
Ceiling:
Suspended, acoustical or
Exposed, painted structure
Walls:
Painted concrete masonry units

NOTES:

1. Electrical: Duplex receptacle; single-level switching



FEATURES:
Fixed Equipment:
NA

LOOSE FURNISHINGS:
Tables and chairs or long tables with attached stools
Large waste receptacles
Folding or high density stack chairs for community use
Carts for chairs

FINISHES:

Flooring:
Resilient, porcelain tile, or terrazzo tile

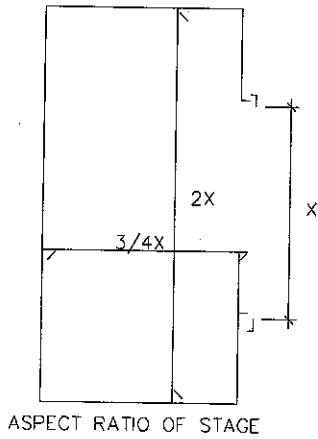
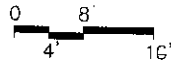
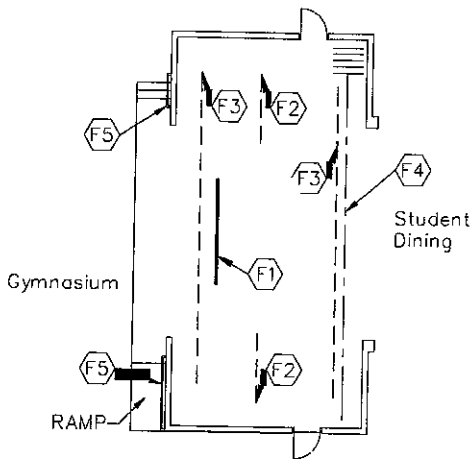
Base:
Resilient base (optional: PT)

Ceiling:
Suspended, acoustical

Walls:
Painted concrete masonry units

NOTES:

1. Electrical: duplex receptacles; multi-level switching; telecommunications grounding
2. Technology: Clock; overhead projector; video ports; data ports
3. Plumbing: Drinking water cooler



FEATURES:

Fixed Equipment:

- F1 Projection screen
- F2 Curtain
- F3 Curtain and valance
- F4 Operable partition
- F5 Pipe handrail

LOOSE FURNISHINGS:

- Portable risers

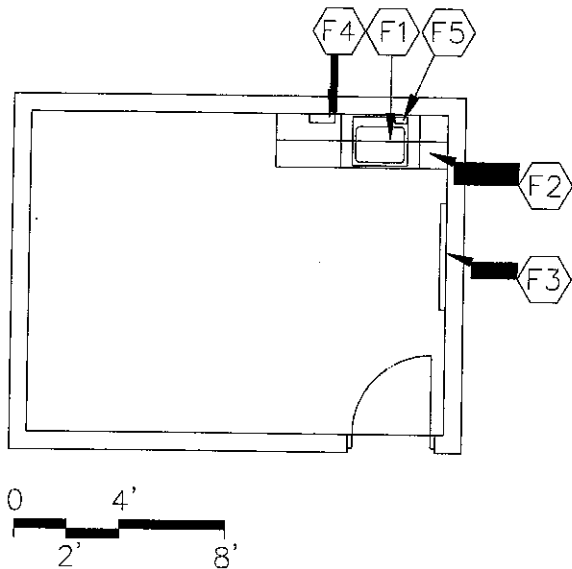
FINISHES:

Flooring:
Resilient or wood

Base:
Resilient base
Ceiling:
Suspended, acoustical
Walls:
Painted concrete masonry units

NOTES:

1. Electrical: duplex receptacles; single-level switching; telecommunications grounding
2. Technology: video ports and data ports – 1 each on each side of proscenium opening



FEATURES:

Fixed Equipment:

- F1 Sink base cabinet
- F2 Base and wall cabinets
- F3 Tack board
- F4 Towel dispenser
- F5 Soap dispenser

LOOSE FURNISHINGS:

- Tables and chairs
- Refrigerator
- Microwave
- Waste receptacle

FINISHES:

Flooring:

Resilient, porcelain tile, or terrazzo tile

Base:

Resilient base, porcelain tile, or terrazzo

Ceiling:

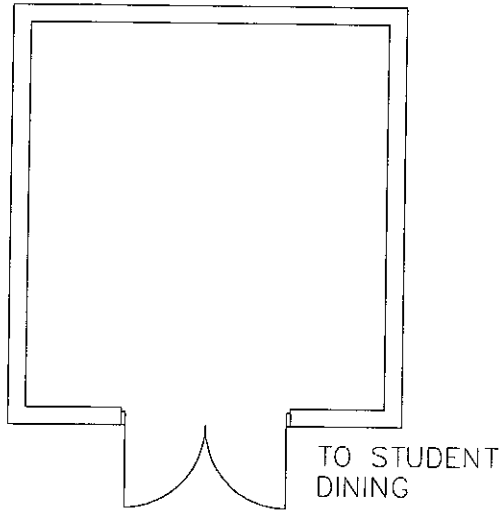
Suspended, acoustical

Walls:

Painted concrete masonry units

NOTES:

1. Electrical: duplex receptacles; single-level switching; receptacles for vending machines, refrigerator, and microwave
2. Technology: video port, voice port and phone; clock
3. Plumbing: Sink
4. Miscellaneous: Vending machines



FEATURES:
Fixed Equipment:
NA

LOOSE FURNISHINGS:
NA

FINISHES:
Flooring:
Sealed concrete

Base:
Resilient base
Ceiling:
Suspended, acoustical or
Exposed, painted structure
Walls:
Painted concrete masonry units

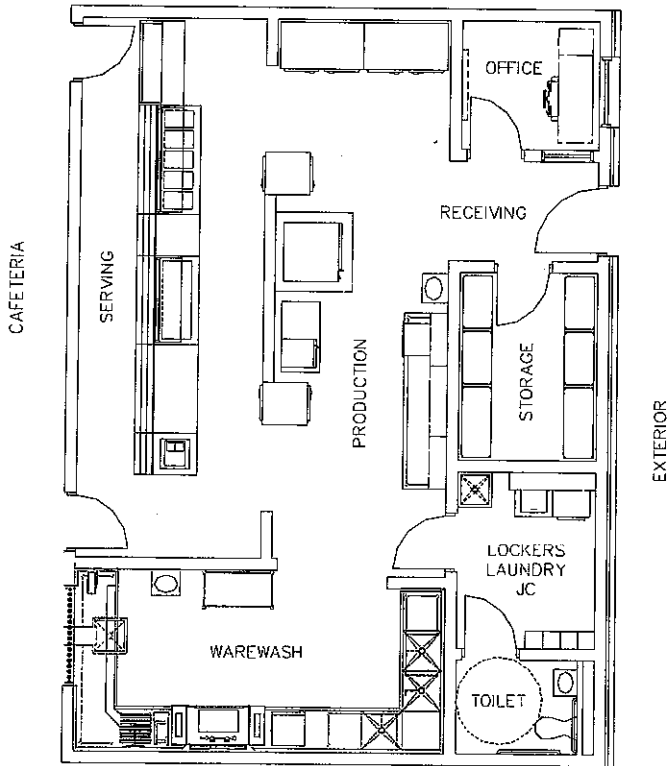
NOTES:

1. Electrical: duplex receptacle; single-level switching

This space consists of various areas:

Production Area	25%
Serving Area	35%
Warewash	25%
Storage	10%
Receiving	5%

Additional areas to be added: office, restroom, locker room, janitorial closet



FEATURES:
Fixed Equipment
Food Service Equipment

LOOSE FURNISHINGS:
NA

NOTE:
Kitchen area must be located adjacent to exterior loading dock area to receive transported food from central kitchen.

FINISHES:

Flooring:
Quarry Tile

Base:
Quarry tile base

Ceiling:
Cleanable, suspended, acoustical

Walls:
Epoxy-painted concrete masonry units

A space plate follows for each of these spaces.

NOTES:

1. Electrical: Dual level switching; duplex receptacles; connections to food service equipment
2. Technology: voice port and phone, data port at cash register; clock
3. Plumbing: Hand washing lavatory; plumbing and gas connections; connections to food service equipment; floor drains
4. HVAC: Kitchen canopy exhaust system

This space consists of various areas:

Production Area

Serving Area

Warewash

Storage

Receiving

Additional areas to be added: office, restroom, locker room, janitorial closet

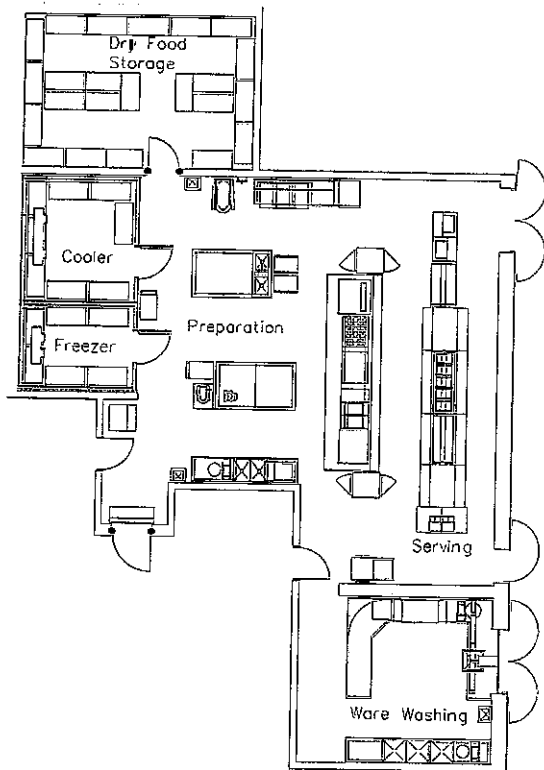
FEATURES:

Fixed Equipment

Food Service Equipment

LOOSE FURNISHINGS:

NA



NOTES:

1. Electrical: Dual level switching; duplex receptacles; connections to food service equipment
2. Technology: voice port and phone, data port at cash register; clock
3. Plumbing: Hand washing lavatory; plumbing and gas connections; connections to food service equipment; floor drains
4. HVAC: Kitchen canopy exhaust system

This space consists of various areas:

Production Area
Serving Area
Warewash
Storage
Receiving

FEATURES:

Fixed Equipment
Food Service Equipment

LOOSE FURNISHINGS:

NA

FINISHES:

Flooring:
Quarry Tile

Base:

Quarry tile base

Ceiling:

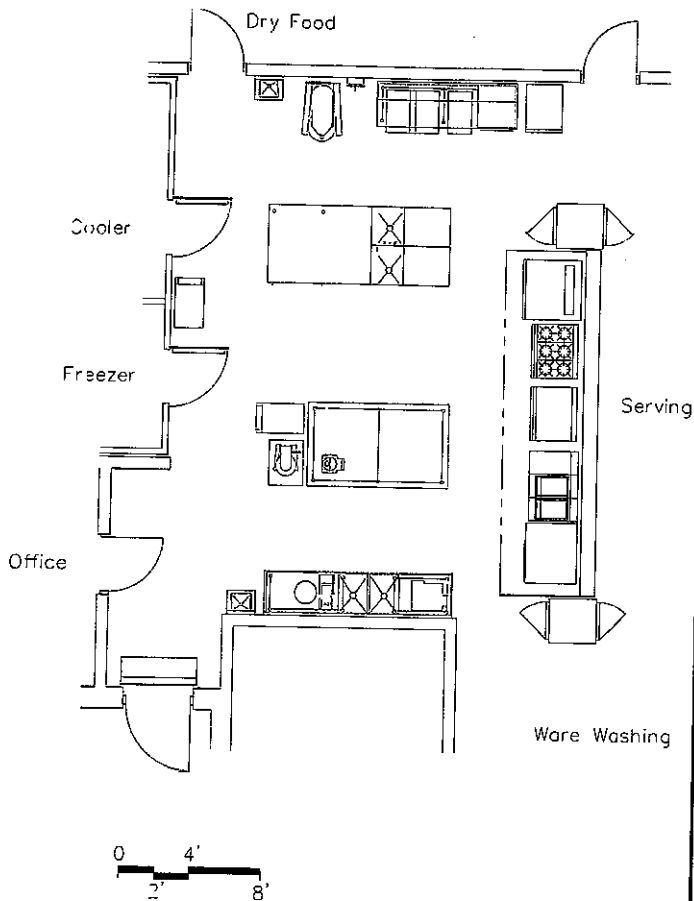
Cleanable, suspended, acoustical

Walls:

Epoxy-painted concrete masonry units

NOTES:

1. Electrical: Dual level switching; duplex receptacles; connections to food service equipment
2. Technology: voice port and phone, data port at cash register; clock
3. Plumbing: Hand washing lavatory; plumbing and gas connections; connections to food service equipment; floor drains
4. HVAC: Kitchen canopy exhaust system



FEATURES:
Fixed Equipment:
Food service equipment

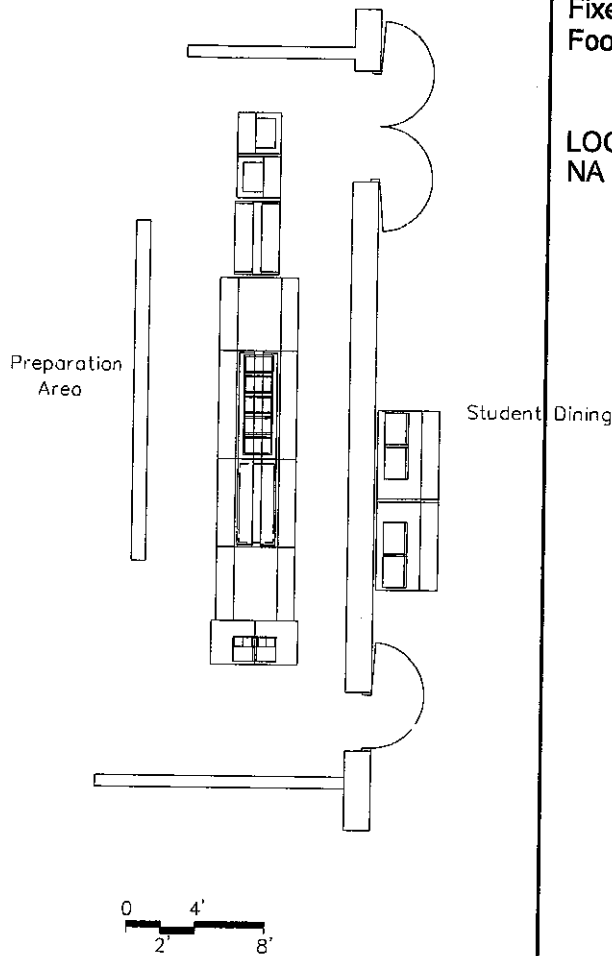
LOOSE FURNISHINGS:
NA

FINISHES:
Flooring:
Quarry Tile

Base:
Quarry tile base
Ceiling:
Cleanable, suspendable, acoustical
Walls:
Epoxy-painted concrete masonry units

NOTES:

1. Electrical: duplex receptacles; dual-level switching; connections to food service equipment
2. Technology: Voice port & phone; clock
3. Plumbing: Plumbing and gas connections; hand washing lavatory; floor drains



FEATURES:
Fixed Equipment:
Food service equipment

LOOSE FURNISHINGS:
NA

FINISHES:

Flooring:
Quarry Tile (optional: porcelain tile)

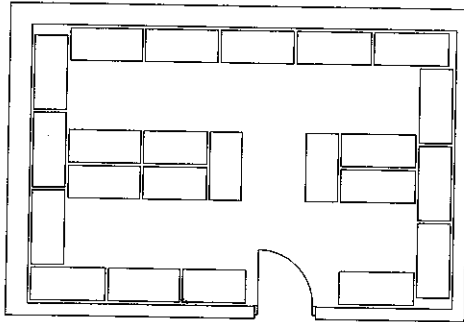
Base:
Quarry tile base (optional: PT)
Ceiling:
Cleanable, suspendable, acoustical
Walls:
Epoxy-painted concrete masonry units

NOTES:

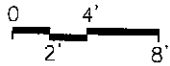
1. Electrical: duplex receptacles; dual-level switching; connections to food service equipment
2. Technology: Voice port & phone; clock; data port at cash register
3. Plumbing: Connections to food service equipment

FEATURES:
Fixed Equipment:
Food service equipment

LOOSE FURNISHINGS:
NA



Preparation Area



FINISHES:
Flooring:
Sealed concrete

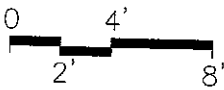
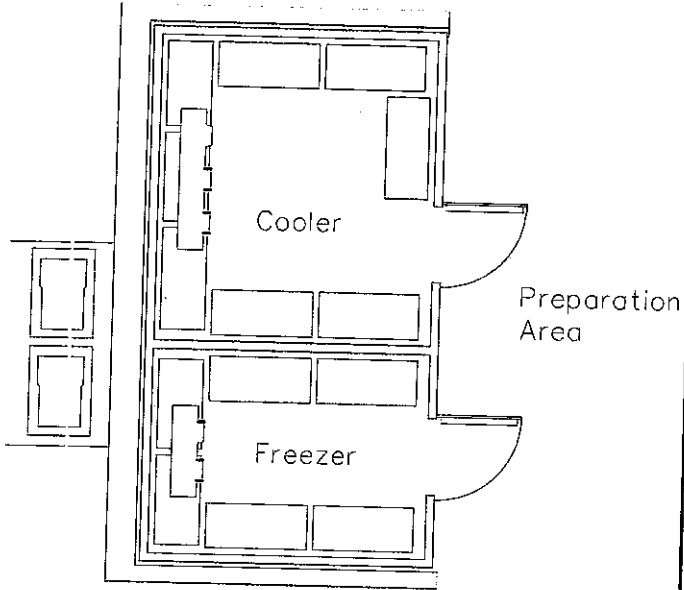
Base:
Resilient base
Ceiling:
Cleanable, suspendable, acoustical
Walls:
Epoxy-painted concrete masonry units

NOTES:

1. Electrical: duplex receptacle; single-level switching

FEATURES:
Fixed Equipment:
Food service equipment

LOOSE FURNISHINGS:
NA

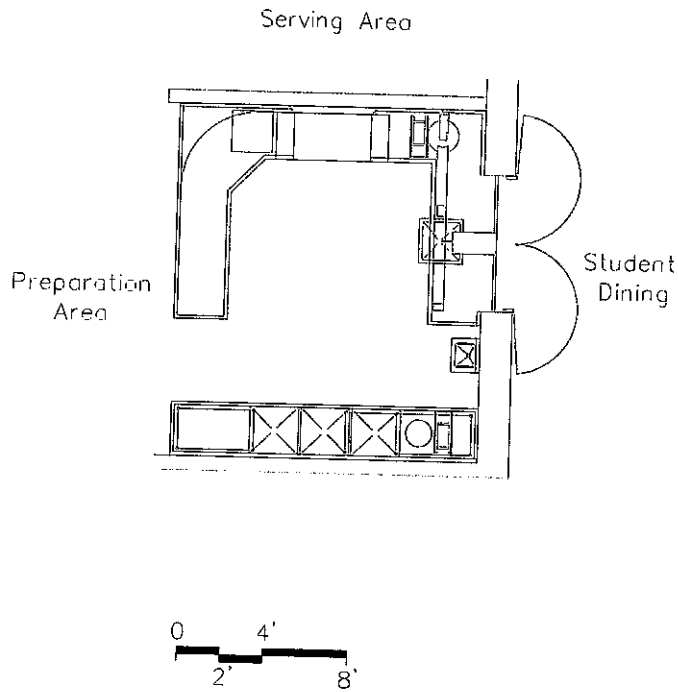


FINISHES:
Flooring:
Quarry Tile

Base:
Quarry tile base
Ceiling:
Manufactured insulated panel
Walls:
Manufactured insulated panel

NOTES:

1. Electrical: Single-level switching; electrical connections to freezer/cooler refrigeration equipment



FEATURES:
Fixed Equipment:
Food service equipment

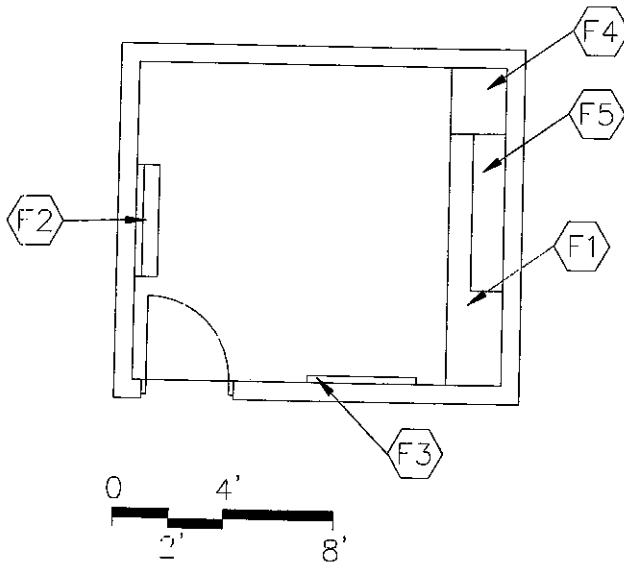
LOOSE FURNISHINGS:
NA

FINISHES:
Flooring:
Quarry Tile

Base:
Quarry tile base
Ceiling:
Cleanable, suspendable, acoustical
Walls:
Epoxy-painted concrete masonry units

NOTES:

1. Electrical: duplex receptacle; dual-level switching; connections to food service equipment
2. HVAC: Exhaust hood system
3. Plumbing: Lavatory



FEATURES:

Fixed Equipment:

- F1 Work surface with file drawers
- F2 Chalk/marker board
- F3 Tack board
- F4 Tall wardrobe
- F5 Wall cabinets

LOOSE FURNISHINGS:

- Desk and chair
- Computer desk return
- Visitor chairs
- Wastebasket

FINISHES:

Flooring:
Resilient

Base:

Resilient base

Ceiling:

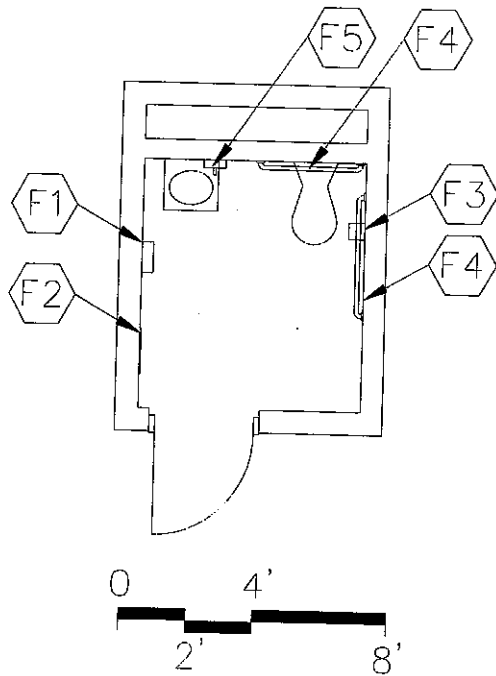
Suspended, acoustical

Walls:

Painted concrete masonry units

NOTES:

1. Electrical: duplex receptacles; single-level switching
2. Technology: data port, video port, voice port & phone; clock



FEATURES:

Fixed Equipment:

- F1 Towel dispenser
- F2 24" x 60" mirror
- F3 Toilet tissue holder
- F4 36" and 42" grab bar
- F5 Soap dispenser

LOOSE FURNISHINGS:

- Wastebasket

FINISHES:

Flooring:

Resilient
TER)

Optional: ceramic mosaic tile, porcelain tile, or
terrazzo

Base:

Resilient base (optional: CMT, PT, or

Ceiling:

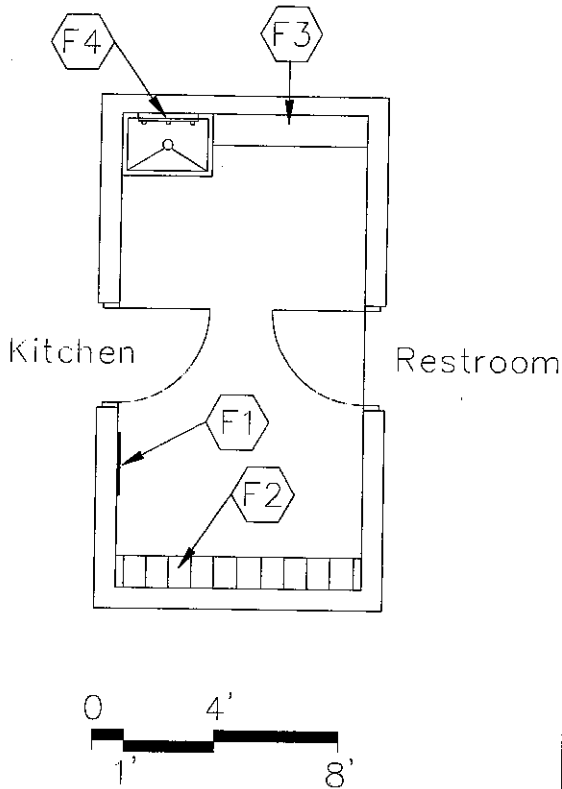
Suspended, acoustical

Walls:

Painted concrete masonry units

NOTES:

1. Plumbing: water closet and lavatory
2. Electrical: Single-level switching; duplex receptacle



FEATURES:

Fixed Equipment:

- F1 24" x 60" mirror
- F2 Lockers
- F3 Wall cabinets
- F4 Mop holder

LOOSE FURNISHINGS:

- Chairs
- Washer
- Dryer
- Wastebasket

FINISHES:

Flooring:
Resilient

Base:

Resilient base

Ceiling:

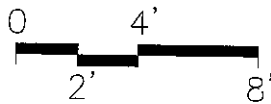
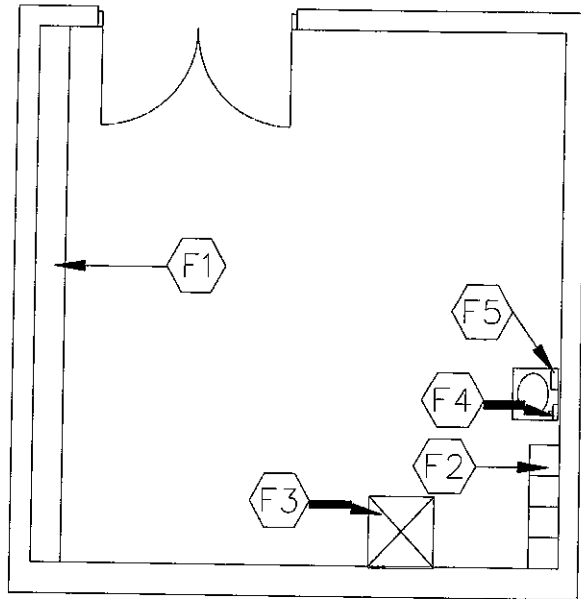
Suspended, acoustical, with high-impact, hold-down clips (option: exposed, painted pre-cast units)

Walls:

Painted concrete masonry units

NOTES:

1. Plumbing: Floor service sink; floor drain
2. Electrical: Single-level switching; duplex receptacle
3. HVAC: Dryer vent system; manually operated exhaust air system
4. Technology: Clock



FEATURES:

Fixed Equipment:

- F1 Metal shelving
- F2 Lockers
- F3 Mop holder
- F4 Soap dispenser
- F5 Towel dispenser

LOOSE FURNISHINGS:

- Workbench
- Stool
- Recycling bins
- Waste receptacles

FINISHES:

Flooring:
Sealed concrete

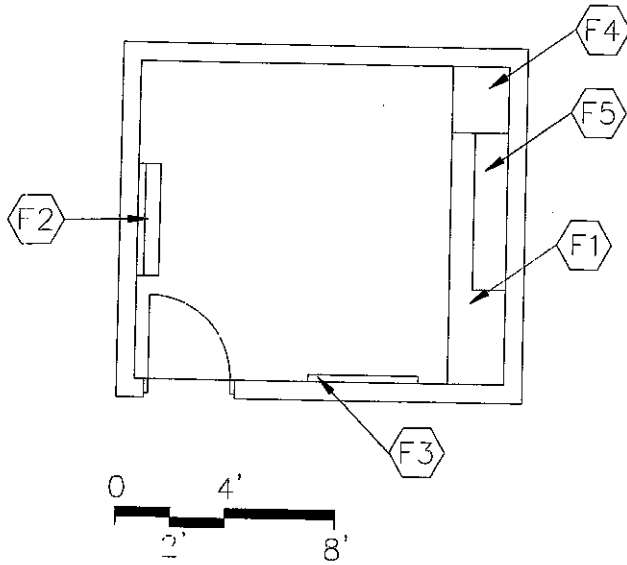
Base:
Resilient base

Ceiling:
Suspended, acoustical or
Exposed, painted structure

Walls:
Painted concrete masonry units

NOTES:

1. Electrical: duplex receptacle; single-level switching; electrical receptacles for custodial equipment
2. Plumbing: Floor service sink; handwash sink
3. Technology: Voice port and phone; clock



FEATURES:

Fixed Equipment:

- F1 Work surface with file drawers
- F2 Chalk/marker board
- F3 Tack board
- F4 Tall wardrobe
- F5 Wall cabinets

LOOSE FURNISHINGS:

- Desk and chair
- Computer desk return
- Visitor chairs
- Wastebasket

FINISHES:

Flooring:
Resilient

Base:

Resilient base

Ceiling:

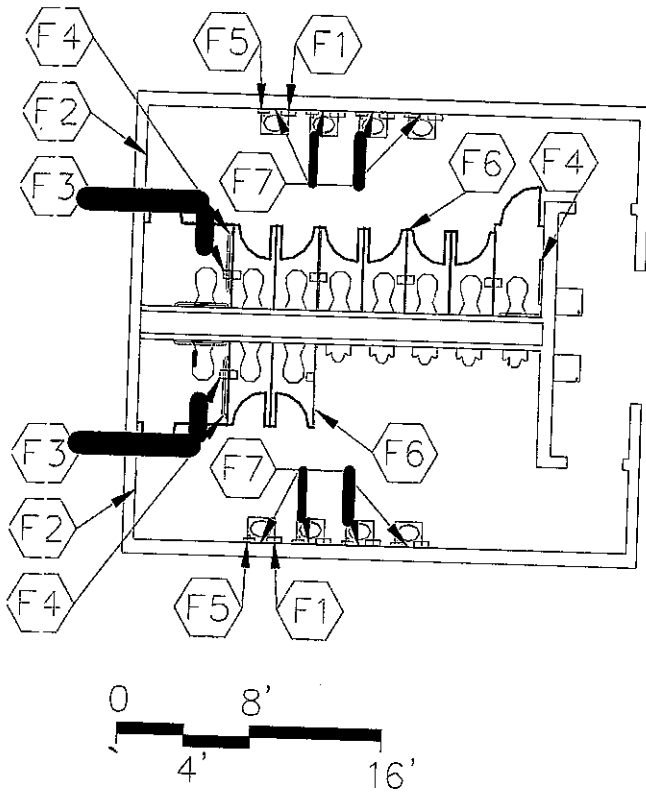
Suspended, acoustical

Walls:

Painted concrete masonry units

NOTES:

1. Electrical: duplex receptacles; single-level switching
2. Technology: data port, voice port & phone; clock; modem port for temperature controls computer



FEATURES:

Fixed Equipment:

- F1 Towel dispenser
- F2 24" x 60" mirror
- F3 Toilet tissue holder
- F4 36" and 42" grab bar
- F5 Soap dispenser
- F6 Toilet partitions
- F7 16" x 24" mirrors

LOOSE FURNISHINGS:

- Waste receptacles

FINISHES:

Flooring:

- Ceramic mosaic tile
- Optional: porcelain tile or terrazzo tile

wallboard

Base:

- Ceramic mosaic tile base
- Optional: Structural glazed tile base or porcelain tile base

Ceiling:

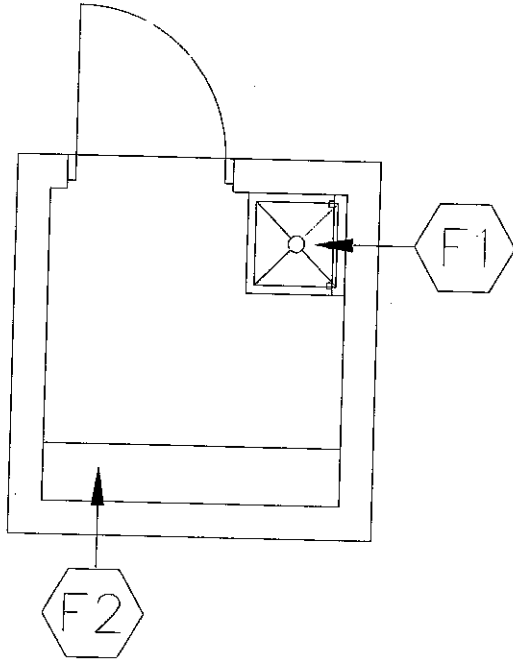
- Suspended, acoustical
- Optional: Abuse-resistant gypsum

Walls:

- Painted concrete masonry units

NOTES:

1. **Plumbing:** water closets, urinals, lavatories, and hydrants; water coolers; floor drains
2. **Electrical:** Single-level switching; duplex receptacle



FEATURES:

Fixed Equipment:

- F1 Mop holder
- F2 Wall cabinets

LOOSE FURNISHINGS:

NA

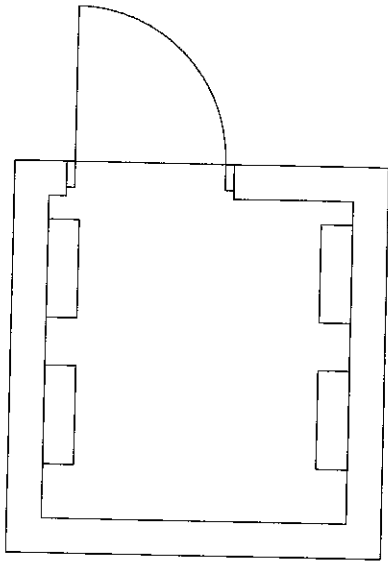
FINISHES:

Flooring:
Sealed concrete

Base:
Resilient base
Ceiling:
Exposed, painted structure
Walls:
Painted concrete masonry units

NOTES:

1. Electrical: duplex receptacle; single-level switching
2. Plumbing: Service sink and floor drain sink



FEATURES:
Fixed Equipment:
NA

LOOSE FURNISHINGS:
NA

FINISHES:
Flooring:
Sealed concrete

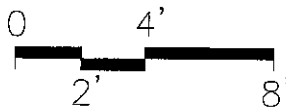
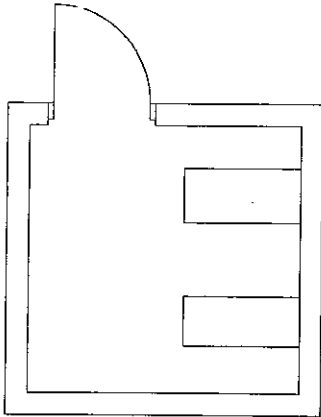
Base:
Resilient base
Ceiling:
Exposed, painted structure
Walls:
Painted concrete masonry units

NOTES:

1. Electrical: duplex receptacle; single-level switching; electrical switchgear

FEATURES:
Fixed Equipment:
NA

LOOSE FURNISHINGS:
NA



FINISHES:
Flooring:
Sealed concrete

Base:
Resilient base
Ceiling:
Exposed, painted structure
Walls:
Painted concrete masonry units

NOTES:

1. Electrical: duplex receptacle; single-level switching; telecommunications grounding
2. Technology: Technology equipment; plywood backboard

Corridors shall be a minimum of 8 feet wide.

Corridors are to meet the egress requirements applicable codes.

Instructional and activity areas shall be accessible by corridors without passing through another instructional or activity area.

Area of vestibules is to be included within area allotted for corridors.

Width of vestibules can be no less than minimum width of adjacent corridor.

Minimum corridor length recommended is 8 feet between doors.

Vestibules are to be provided at major entrances/exits.

FEATURES:

Fixed Equipment:

Fire extinguishers and cabinets
Recessed vinyl floor mats or surface mats

LOOSE FURNISHINGS:

Recycling bins and waste receptacles

FINISHES:

Flooring:

Resilient, porcelain tile, or terrazzo

NOTE: At entries adjacent to dining/commons area, match dining/commons flooring.

Base:

Resilient base(option: structural glazed tile)

Ceiling:

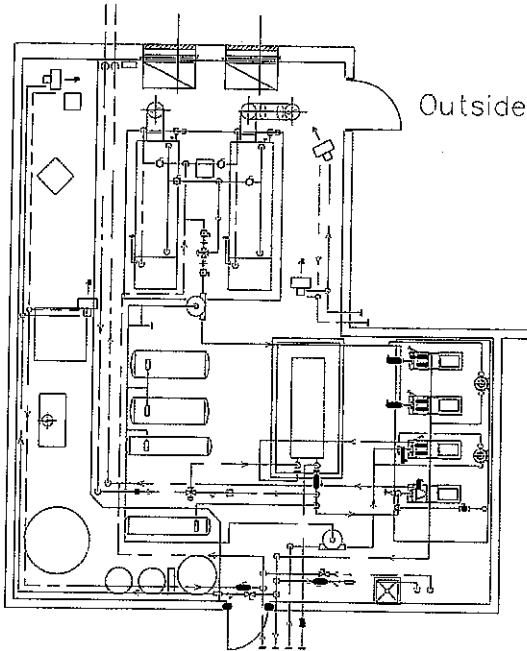
Suspended, acoustical
Option in vestibules: abuse-resistant gypsum wallboard

Walls:

Painted concrete masonry units

NOTES:

1. Electrical: Duplex receptacles; dual-level switching
2. Technology: Clocks, wireless access points; video ports
3. Plumbing: Drinking water coolers
4. Miscellaneous: Display cases



FEATURES:
Fixed Equipment:
To be determined by Design Professional

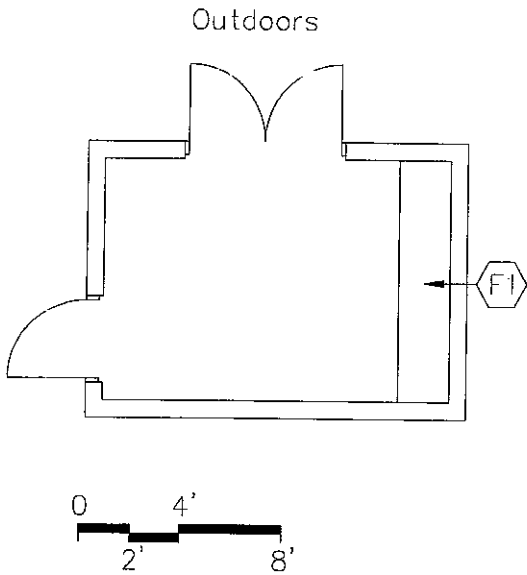
LOOSE FURNISHINGS:
NA

FINISHES:
Flooring:
Sealed concrete

Base:
Resilient base
Ceiling:
Exposed, painted structure
Walls:
Painted concrete masonry units
(option: can use metal panel on CMU or metal panel on metal framing wall system for penthouse)

NOTES:

1. Electrical: Dual-level switching; to be determined by Design Professional
2. Plumbing: To be determined by Design Professional



FEATURES:
Fixed Equipment:
F1 Open metal shelving

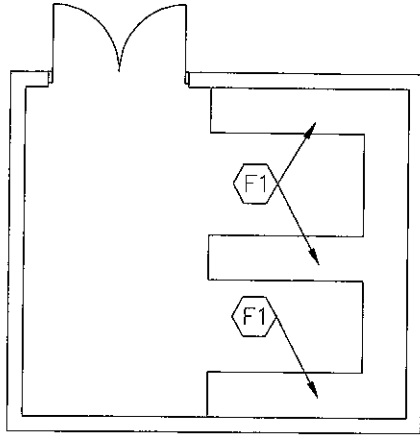
LOOSE FURNISHINGS:
NA

FINISHES:
Flooring:
Sealed concrete

Base:
Resilient base
Ceiling:
Exposed, painted structure
Walls:
Painted concrete masonry units

NOTES:

1. Electrical: Single-level switching; duplex receptacles



FEATURES:
Fixed Equipment:
F1 Open metal shelving

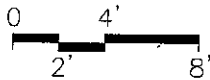
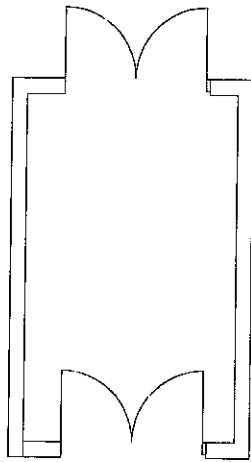
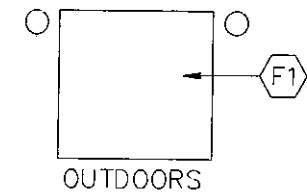
LOOSE FURNISHINGS:
NA

FINISHES:
Flooring:
Sealed concrete

Base:
Resilient base
Ceiling:
Exposed, painted structure
Walls:
Painted concrete masonry units

NOTES:

1. Electrical: Single-level switching; duplex receptacles



FEATURES:

Fixed Equipment:

F1 Loading dock leveler and dock bumpers

LOOSE FURNISHINGS:

NA

FINISHES:

Flooring:

Sealed concrete

Base:

Resilient base

Ceiling:

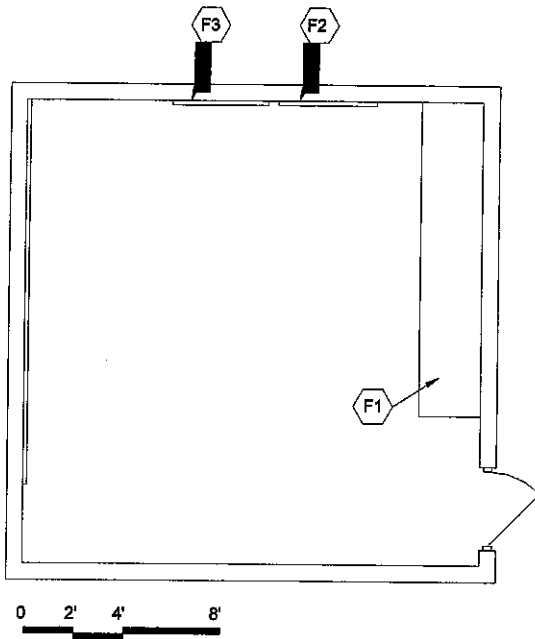
Painted, exposed structure

Walls:

Painted concrete masonry units

NOTES:

1. Electrical: Single-level switching; duplex receptacles



FEATURES:

Fixed Equipment:

- F1 Open metal shelving
- F2 Tack board
- F3 Chalk/marker board

LOOSE FURNISHINGS:

- Desk and chair
- Wastebasket

FINISHES:

Flooring:
Resilient

Base:

Resilient base

Ceiling:

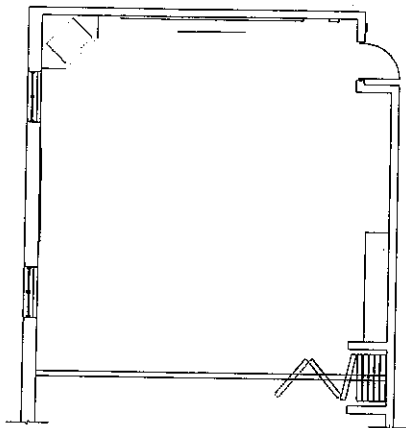
Suspended, acoustical

Walls:

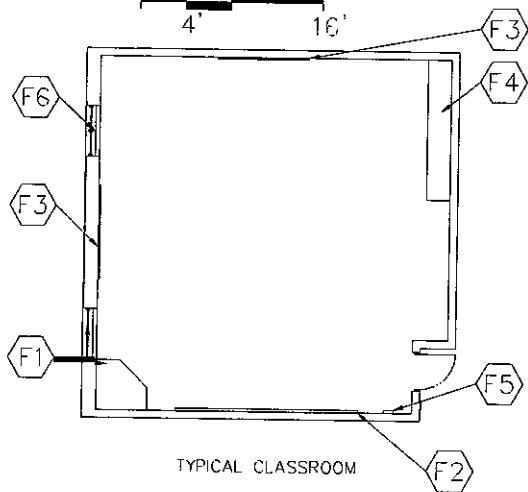
Painted concrete masonry units

NOTES:

1. **Electrical:** duplex receptacles; single-level switching; telecommunications grounding
2. **Technology:** data port, voice port & phone; technology equipment; plywood backboard
3. **Miscellaneous:** Provide distribution equipment with an equipment electrical ground.



CLASSROOM WITH OPTIONAL FOLDING WALL



TYPICAL CLASSROOM

FEATURES:

Fixed Equipment:

- F1 Tall wardrobe w/file drawers
- F2 Chalk/marker board
- F3 Tack board
- F4 Base & wall cabinets
- F5 Pencil sharpener support
- F6 Windows with integral blinds

LOOSE FURNISHINGS:

- Student desks and chairs
- Computer workstation furniture
- Teacher workstation/computer support and chair
- File cabinet
- Low bookcases (fixed or mobile)
- Wastebasket
- Pencil sharpener

FINISHES:

Flooring:

- Carpet
- Optional: Resilient

Base:

- Resilient base

Ceiling:

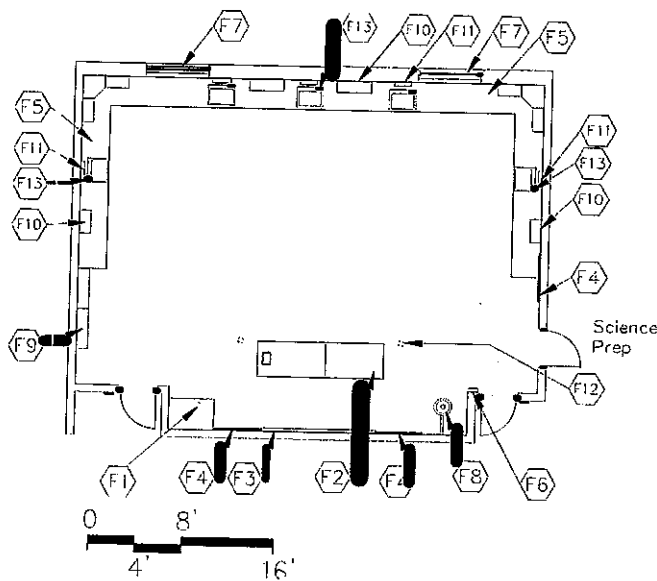
- Suspended, acoustical

Walls:

- Painted concrete masonry units

NOTES:

1. Electrical: duplex receptacles; multi-level switching
2. Technology: video port, data port, voice port & phone; data ports for students; clock; overhead projector
3. Miscellaneous: Operable partitions optional between classrooms



FEATURES:

Fixed Equipment:

- F1 Tall wardrobe w/file drawers
- F2 Demonstration table/teacher desk
- F3 Chalk/marker board
- F4 Tack board
- F5 Perimeter sink base cabinets
- F6 Pencil sharpener support
- F7 Windows with integral blinds
- F8 Emergency shower/eyewash
- F9 Wall cabinets
- F10 Wall cabinets, lockable
- F11 Towel dispensers
- F12 Eye hooks for demonstrations
- F13 Soap dispensers

LOOSE FURNISHINGS:

- Student work tables and stools/chairs
- Computer workstation furniture
- Teacher chair or stool
- File cabinet
- Wastebasket
- Pencil sharpener

FINISHES:

Flooring:
Resilient

Base:

Resilient base

Ceiling:

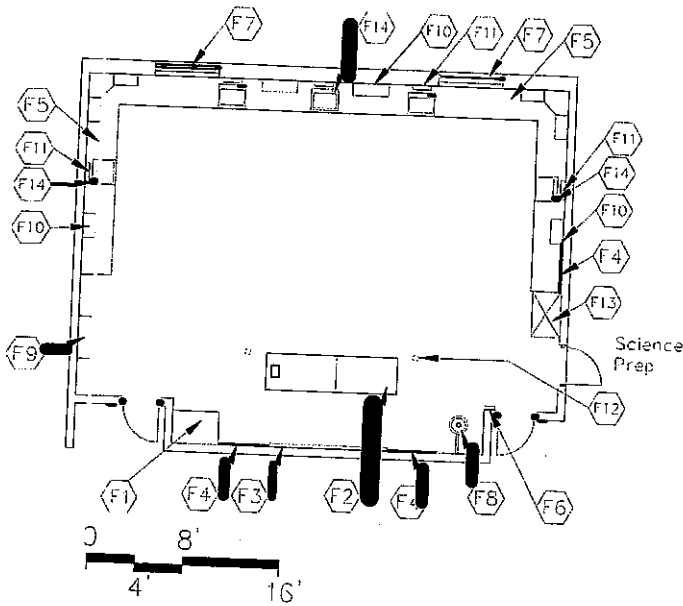
Suspended, acoustical

Walls:

Painted concrete masonry units

NOTES:

1. Electrical: Duplex receptacles at perimeter workstations and teaching wall; multi-level switching
2. Technology: video port, data port, voice port & phone; data ports for students; clock; overhead projector
3. Plumbing: Emergency shower/eyewash; gas, plumbing, and compressed air connections; master shutoff for gas; sinks



FEATURES:

Fixed Equipment:

- F1 Tall wardrobe w/file drawers
- F2 Demonstration table/teacher desk
- F3 Chalk/marker board
- F4 Tack board
- F5 Perimeter sink base cabinets
- F6 Pencil sharpener support
- F7 Windows with integral blinds
- F8 Emergency shower/eyewash
- F9 Wall cabinets
- F10 Wall cabinets, lockable
- F11 Towel dispensers
- F12 Eye hooks for demonstrations
- F13 Fume hood
- F14 Soap dispensers

LOOSE FURNISHINGS:

- Student work tables and stools/chairs
- Computer workstation furniture
- Teacher chair or stool
- File cabinet
- Wastebasket
- Pencil sharpener

FINISHES:

Flooring:
Resilient

Base:

Resilient base

Ceiling:

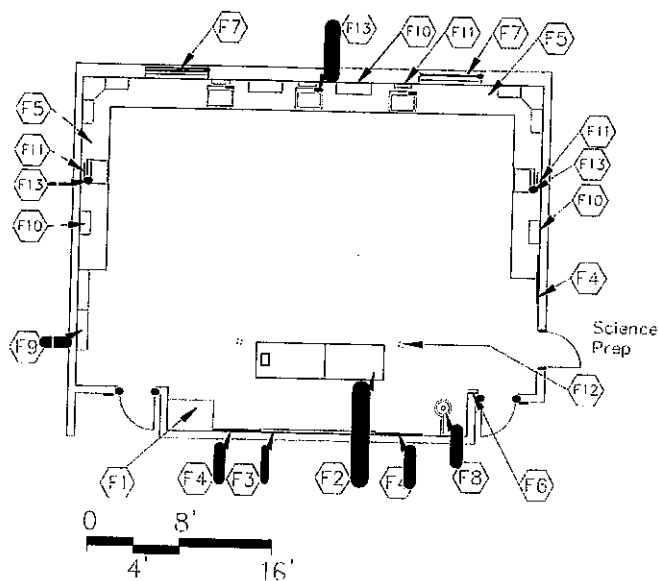
Suspended, acoustical

Walls:

Painted concrete masonry units

NOTES:

1. Electrical: Duplex receptacles at perimeter workstations and teaching wall; multi-level switching
2. Technology: video port, data port, voice port & phone; data ports for students; clock; overhead projector
3. Plumbing: Emergency shower/eyewash; gas, plumbing, and compressed air connections; master shutoff for gas; sinks



FEATURES:

Fixed Equipment:

- F1 Tall wardrobe w/file drawers
- F2 Demonstration table/teacher desk
- F3 Chalk/marker board
- F4 Tack board
- F5 Perimeter sink base cabinets
- F6 Pencil sharpener support
- F7 Windows with integral blinds
- F8 Emergency shower/eyewash
- F9 Wall cabinets
- F10 Wall cabinets, lockable
- F11 Towel dispensers
- F12 Eye hooks for demonstrations
- F13 Soap dispensers

LOOSE FURNISHINGS:

- Student work tables and stools/chairs
- Computer workstation furniture
- Teacher chair or stool
- File cabinet
- Wastebasket
- Pencil sharpener

FINISHES:

Flooring:
Resilient

Base:

Resilient base

Ceiling:

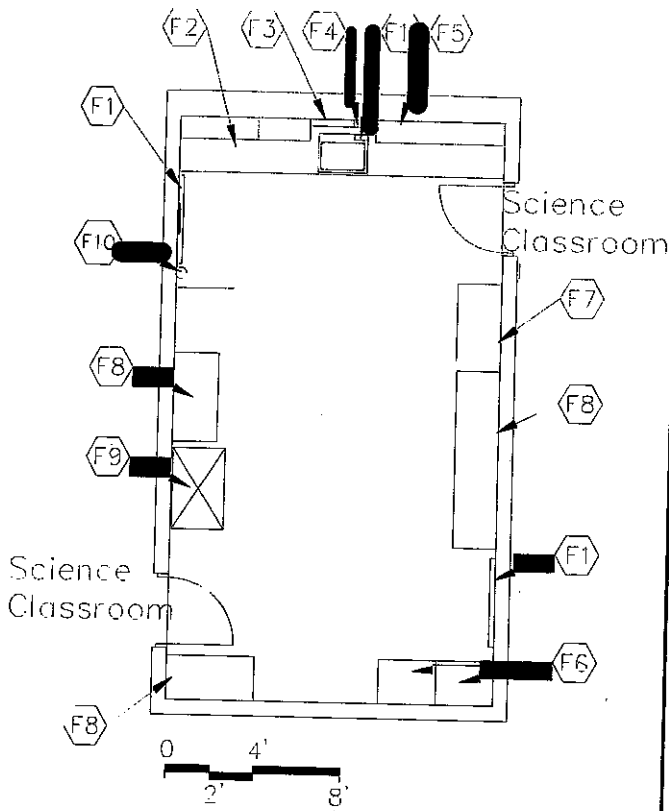
Suspended, acoustical

Walls:

Painted concrete masonry units

NOTES:

1. Electrical: Duplex receptacles at perimeter workstations and teaching wall; multi-level switching
2. Technology: video port, data port, voice port & phone; data ports for students; clock; overhead projector
3. Plumbing: Emergency shower/eyewash; gas, plumbing, and compressed air connections; master shutoff for gas; sinks



FEATURES:

Fixed Equipment:

- F1 Tack board
- F2 Lab station with sink
- F3 Drying rack with pegs
- F4 Towel dispenser
- F5 Wall cabinets
- F6 Storage cabinets for acid, ventilated
- F7 Storage cabinets for flammables
- F8 Tall storage cabinets
- F9 Fume hood
- F10 Emergency eyewash
- F11 Soap dispenser

LOOSE FURNISHINGS:

- Work table with chemical-resistant top
- File cabinets
- Refrigerator/freezer
- Wastebasket

FINISHES:

Flooring:
Resilient

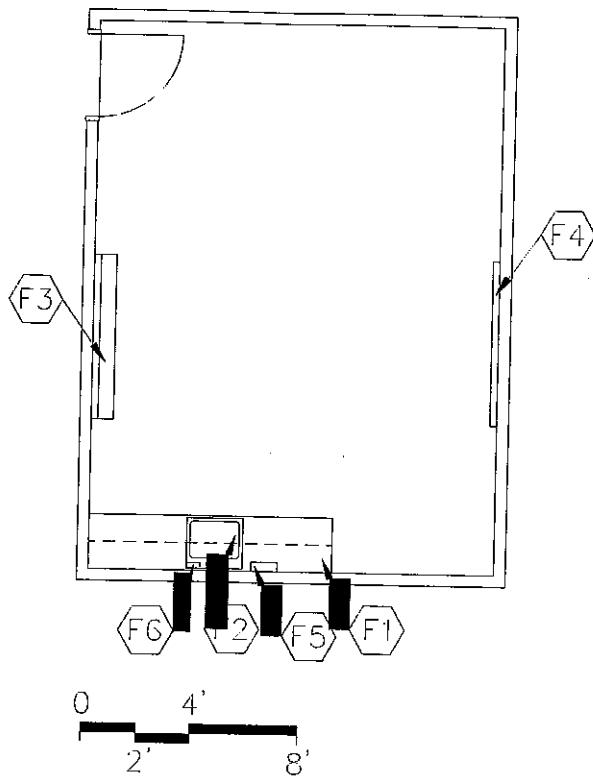
Base:
Resilient base

Ceiling:
Suspended, acoustical

Walls:
Painted concrete masonry units

NOTES:

1. Electrical: duplex receptacle under work table; (3) duplex receptacles; single-level switching
2. Technology video port, data port, voice port & phone; clock
3. Plumbing: Emergency eyewash connection; gas, plumbing, and compressed air connections; acid waste system



FEATURES:

Fixed Equipment:

- F1 Base & wall cabinets
- F2 Sink base cabinet
- F3 Chalk/marker board
- F4 Tack board
- F5 Towel dispenser
- F6 Soap dispenser

LOOSE FURNISHINGS:

- Tables and chairs
- Computer workstation furniture
- Wastebasket

FINISHES:

Flooring:
Carpet

Base:

Resilient base

Ceiling:

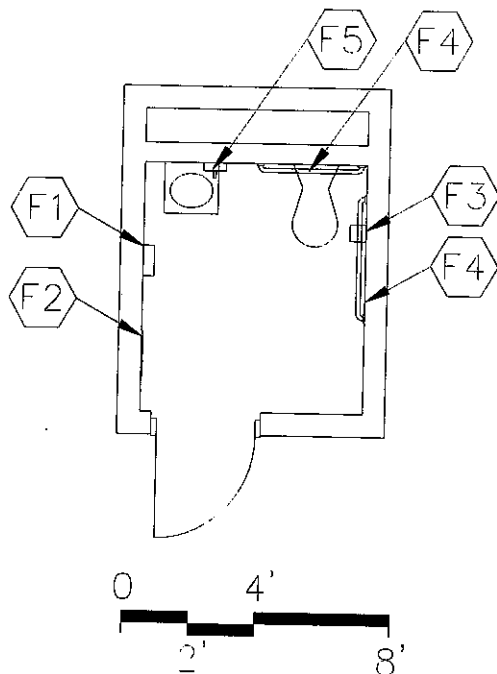
Suspended, acoustical

Walls:

Painted concrete masonry units

NOTES:

1. Electrical: duplex receptacles; single-level switching
2. Technology: video port, voice port & phone; clock; data ports
3. Plumbing: Sink



FEATURES:

Fixed Equipment:

- F1 Towel dispenser
- F2 24" x 60" mirror
- F3 Toilet tissue holder
- F4 36" and 42" grab bar
- F5 Soap dispenser

LOOSE FURNISHINGS:

- Wastebasket

FINISHES:

Flooring:

- Resilient
- Optional: ceramic mosaic tile, porcelain tile, or terrazzo

Base:

- Resilient base (optional: CMT, PT, or TER)

Ceiling:

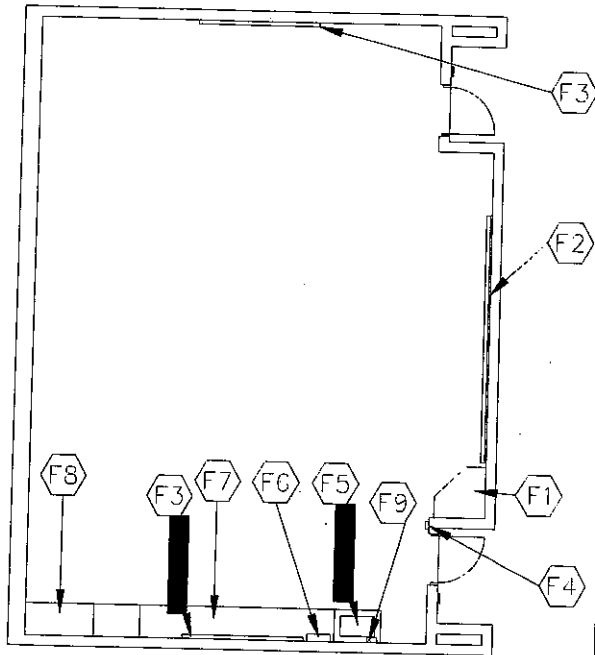
- Suspended, acoustical

Walls:

- Painted concrete masonry units

NOTES:

1. Plumbing: water closet and lavatory
2. Electrical: Single-level switching; receptacles



FEATURES:

Fixed Equipment:

- F1 Tall wardrobe w/file drawers
- F2 Chalk/marker board
- F3 Tack board
- F4 Pencil sharpener support
- F5 Sink base cabinet
- F6 Towel dispenser
- F7 Base cabinets
- F8 Tall storage cabinets
- F9 Soap dispenser

LOOSE FURNISHINGS:

- Student chairs
- Work tables
- Computer workstation furniture
- Teacher workstation/computer support and chair
- File cabinet
- Wastebasket
- Pencil sharpener

FINISHES:

Flooring:

- Carpet
- Optional: Resilient

Base:

- Resilient base

Ceiling:

- Suspended, acoustical

Walls:

- Painted concrete masonry units

NOTES:

1. Electrical: duplex receptacles; multi-level switching
2. Technology: video port, data port, voice port & phone; classroom area network (13 ports minimum); clock; overhead projector
3. Miscellaneous: Classroom area network file server; printer
4. Plumbing: Sink

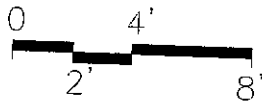
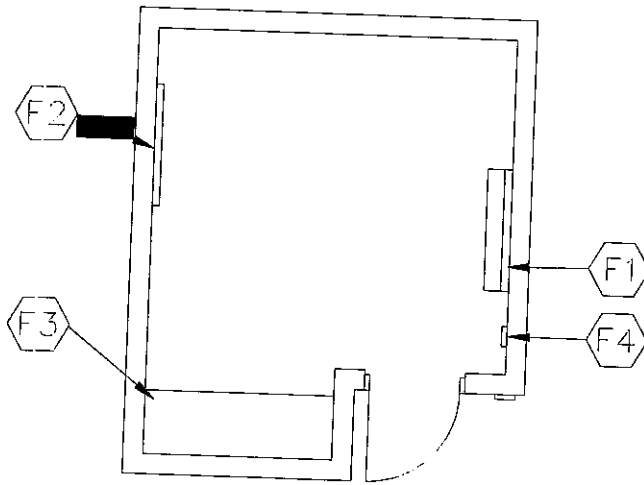
FEATURES:

Fixed Equipment:

- F1 Chalk/marker board
- F2 Tack board
- F3 Work surface
- F4 Pencil sharpener support

LOOSE FURNISHINGS:

- Work tables and chairs
- Wastebasket
- Pencil sharpener



FINISHES:

Flooring:

- Carpet
- Optional: Resilient

Base:

- Resilient base

Ceiling:

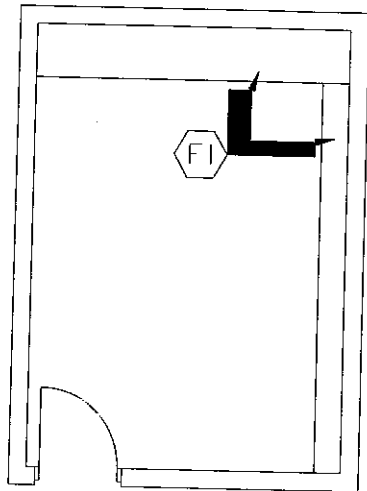
- Suspended, acoustical

Walls:

- Painted concrete masonry units

NOTES:

1. Electrical: duplex receptacles; multi-level switching
2. Technology: video port, data port, voice port; clock



FEATURES:
Fixed Equipment:
F1 Open metal shelving

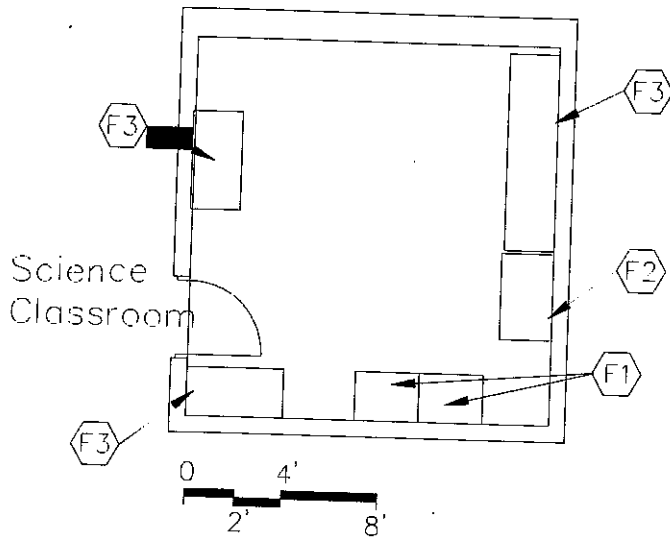
LOOSE FURNISHINGS:
N/A

FINISHES:
Flooring:
Sealed concrete

Base:
Resilient base
Ceiling:
Suspended, acoustical or
Exposed, painted structure
Walls:
Painted concrete masonry units

NOTES:

1. Electrical: duplex receptacle; single-level switching



FEATURES:
Fixed Equipment:
F1 Storage cabinets for acid, ventilated
F2 Storage cabinets for flammables
F3 Tall storage cabinets

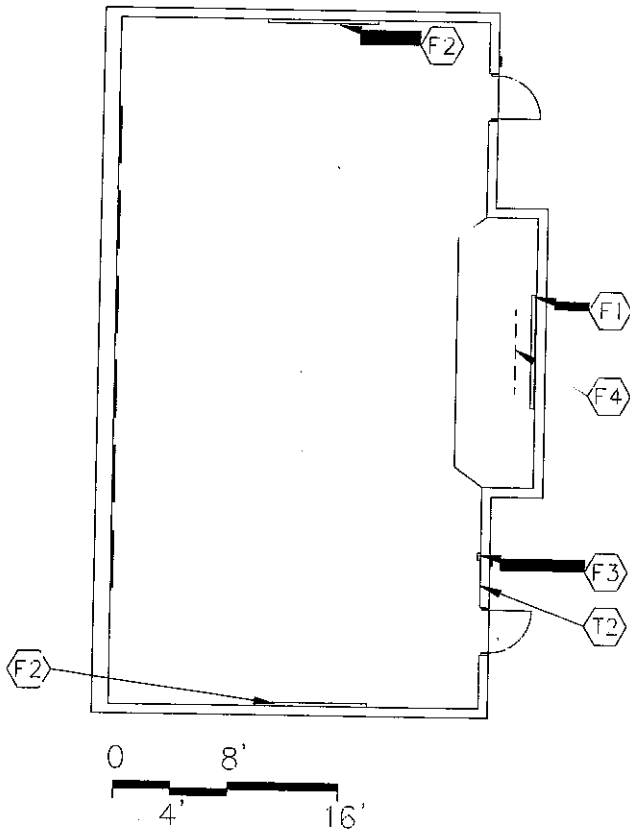
LOOSE FURNISHINGS:
Refrigerator/freezer

FINISHES:
Flooring:
Resilient

Base:
Resilient base
Ceiling:
Suspended, acoustical
Walls:
Painted concrete masonry units

NOTES:

1. Electrical: duplex receptacle on each wall; single-level switching



FEATURES:

Fixed Equipment:

- F1 Chalk/marker board
- F2 Tack board
- F3 Pencil sharpener support
- F4 Projection screen

LOOSE FURNISHINGS:

- Student desks and chairs
- Podium
- Portable risers
- Wastebasket
- Pencil sharpener

FINISHES:

Flooring:
Carpet

Base:

Resilient base

Ceiling:

Suspended, acoustical

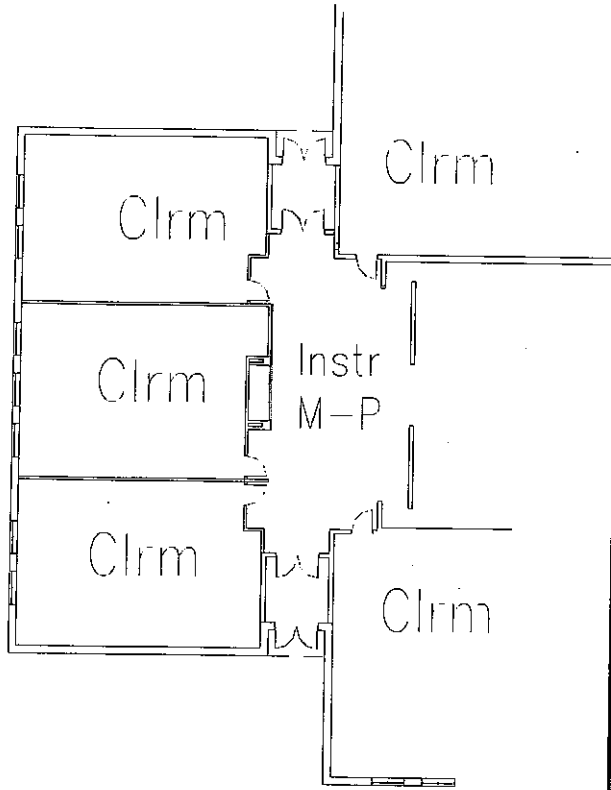
Walls:

Painted concrete masonry units;
Acoustical wall treatment

NOTES:

1. Electrical: duplex receptacles; multi-level switching; telecommunications grounding
2. Technology: data port, voice port & phone, port to input local computer to monitor; video ports; clock; overhead projector

Instructional and activity areas shall be accessible by corridors without passing through another instructional or activity area.



FEATURES:
Fixed Equipment:
NA

LOOSE FURNISHINGS:
NA

FINISHES:

Flooring:

Resilient, porcelain tile, or terrazzo

Base:

Resilient, porcelain tile, or terrazzo base

Ceiling:

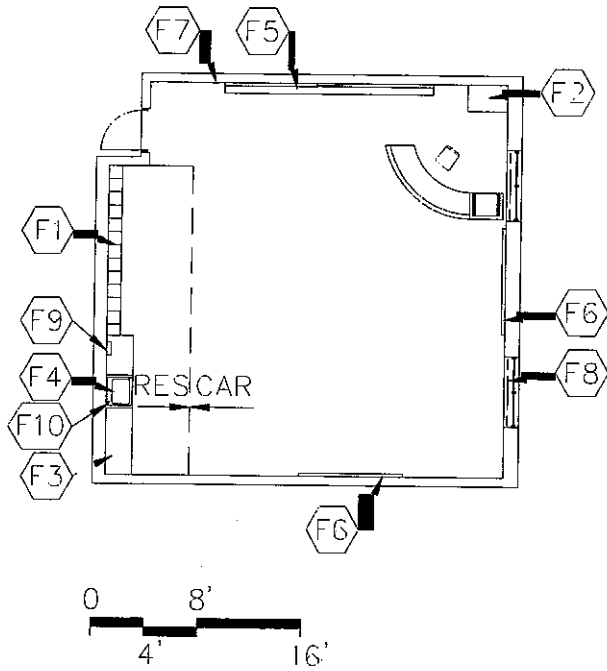
Suspended, acoustical

Walls:

Painted concrete masonry units

NOTES:

1. Electrical: Duplex receptacles; dual-level switching
2. Technology: Wireless access points; video ports; data ports



FEATURES:

Fixed Equipment:

- F1 Open casework – coats with wall cabinets above
- F2 Tall wardrobe w/file drawers
- F3 Base and wall cabinets
- F4 Sink base cabinet
- F5 Chalk/marker board
- F6 Tack board
- F7 Pencil sharpener support
- F8 Windows with integral blinds
- F9 Towel dispenser
- F10 Soap dispenser

LOOSE FURNISHINGS:

- Student desks/tables
- Student chairs
- Teacher workstation/computer support and chair
- Computer workstation furniture
- File cabinet
- Low bookcases (fixed or mobile)
- Reading table
- Wastebasket
- Pencil sharpener

FINISHES:

Flooring:

- Carpet
- Resilient
- 4' width in front of cabinets or
- Optional: All resilient

Base:

- Resilient base

Ceiling:

- Suspended, acoustical

Walls:

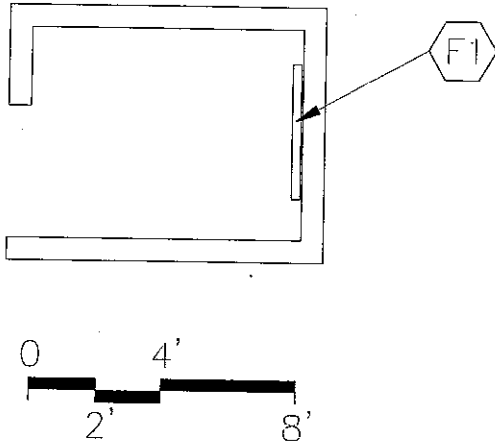
- Painted concrete masonry units

NOTES:

1. Electrical: duplex receptacles; multi-level switching
2. Technology: video port, data port, voice port & phone; data ports for students; clock; overhead projector
3. Plumbing: Sink with drinking fountain

FEATURES:
Fixed Equipment:
F1 Tack board

LOOSE FURNISHINGS:
Student desk and chair
Wastebasket

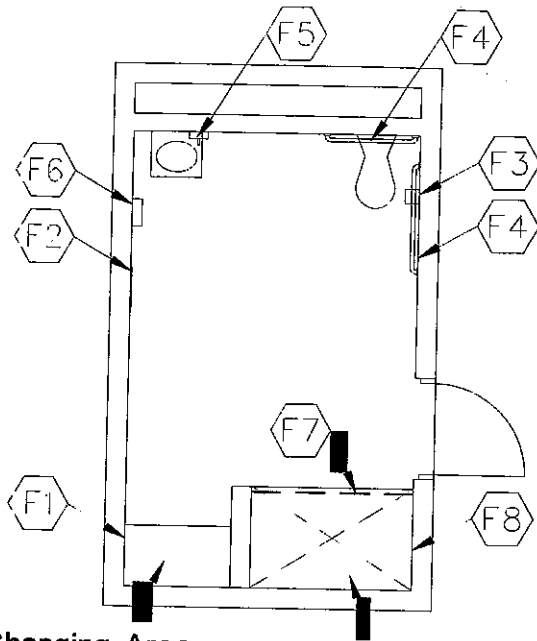


FINISHES:
Flooring:
Carpet

Base:
Resilient base
Ceiling:
Suspended, acoustical
Walls:
Painted concrete masonry units

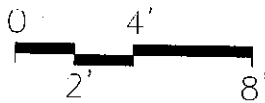
NOTES:

1. Electrical: duplex receptacle; dimmable lighting
2. Technology: Clock



Changing Area.
Storage of supplies
for health needs.

Shower-slope floor;
no raised threshold;
4' x 5' for two people



FEATURES:

Fixed Equipment:

- F1 Base cabinet
- F2 24" x 60" mirror
- F3 Toilet tissue holder
- F4 36" and 42" grab bar
- F5 Soap dispenser
- F6 Towel dispenser
- F7 Shower curtain and rod
- F8 ADA shower accessories

LOOSE FURNISHINGS:

- Wastebasket

FINISHES:

Flooring:

Restroom - Resilient

Shower - Ceramic mosaic tile, porcelain tile, or terrazzo

Base:

Restroom - Resilient base

Shower - Ceramic mosaic tile, porcelain tile, or terrazzo

Ceiling:

Restroom - Suspended, acoustical

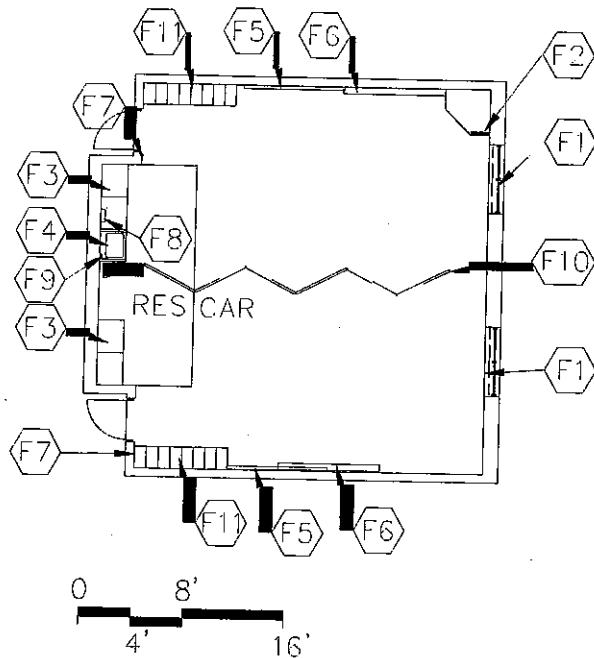
Shower - Painted Portland cement plaster or interior finish system

Walls:

Epoxy painted concrete masonry units

NOTES:

1. Plumbing: water closet and lavatory; ADA shower controls and head; floor drain
2. Electrical: duplex receptacle; single-level switching



FEATURES:

Fixed Equipment:

- F1 Windows with integral blinds
- F2 Tall wardrobe w/file drawers
- F3 Base cabinets
- F4 Sink base cabinet
- F5 Chalk/marker board
- F6 Tack board
- F7 Pencil sharpener support
- F8 Towel dispenser
- F9 Soap dispenser
- F10 Operable partition
- F11 Open casework-coats with wall cabinets above

LOOSE FURNISHINGS:

- Student desks/tables
- Computer workstation furniture
- Student chairs
- Teacher desk or workstation/computer support and chair
- File cabinet
- Mobile bookcases or storage unit
- Wastebasket
- Pencil sharpener

FINISHES:

Flooring:

- Carpet
- Resilient
- 4' width in front of cabinets

Base:

- Resilient base

Ceiling:

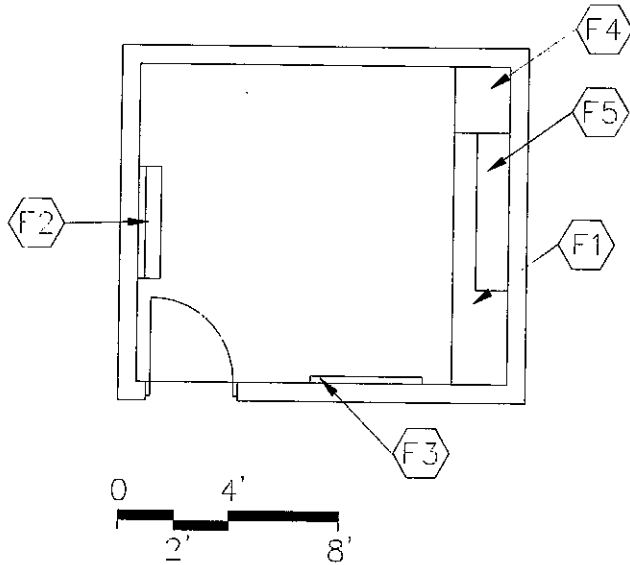
- Suspended, acoustical

Walls:

- Painted concrete masonry units

NOTES:

1. Plumbing: Sink
2. Electrical: duplex receptacles; multi-level switching
3. Technology: video port, data port, voice port & phone; data ports for students; clock; overhead projector



FEATURES:

Fixed Equipment:

- F1 Work surface with file drawers
- F2 Chalk/marker board
- F3 Tack board
- F4 Tall wardrobe
- F5 Wall cabinets

LOOSE FURNISHINGS:

- Desk and chair
- Computer desk return
- Small table with chairs
- Wastebasket

FINISHES:

Flooring:
Carpet

Base:

Resilient base

Ceiling:

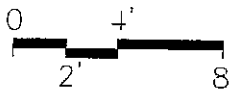
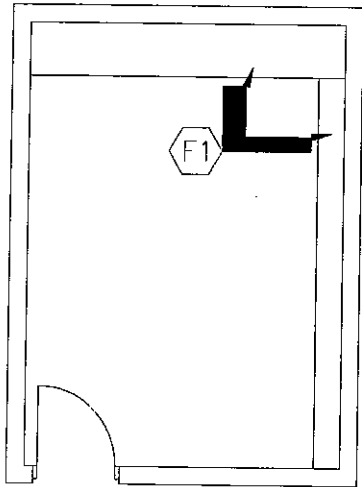
Suspended, acoustical

Walls:

Painted gypsum wallboard
over metal studs

NOTES:

1. Electrical: duplex receptacles; single-level switching
2. Technology: data port, video port, voice port & phone; clock



FEATURES:
Fixed Equipment:
F1 Open metal shelving

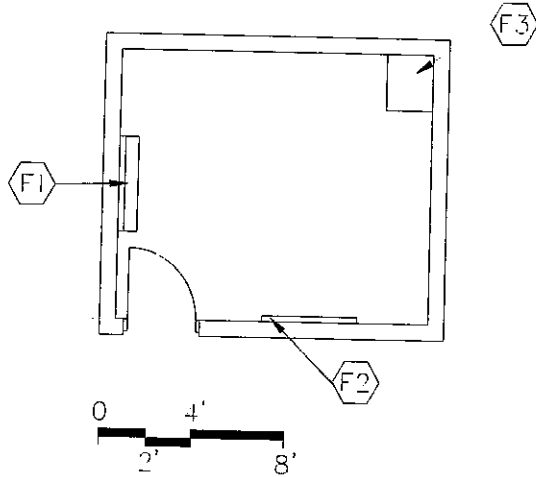
LOOSE FURNISHINGS:
N/A

FINISHES:
Flooring:
Resilient

Base:
Resilient base
Ceiling:
Suspended, acoustical
Walls:
Painted concrete masonry units

NOTES:

1. Electrical: duplex receptacle; single-level switching



FEATURES:
Fixed Equipment:
F1 Chalk/marker board
F2 Tack board
F3 Wall cabinets

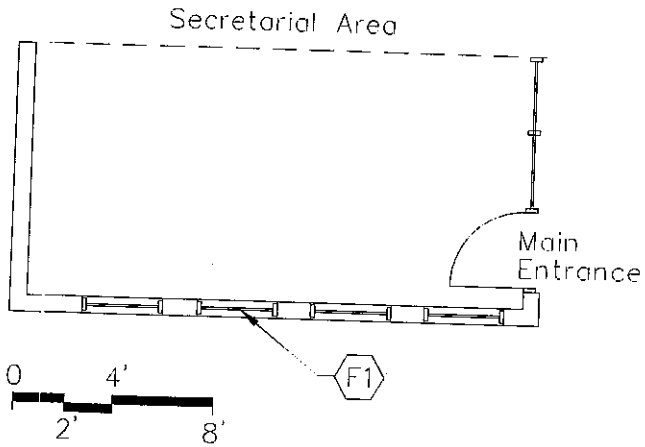
LOOSE FURNISHINGS:
Chairs
Wastebasket

FINISHES:
Flooring:
Carpet

Base:
Resilient base
Ceiling:
Suspended, acoustical
Walls:
Painted gypsum wallboard
over metal studs

NOTES:

1. Electrical: duplex receptacles; single-level switching
2. Technology: data port, video port, voice port & phone; clock



FEATURES:

Fixed Equipment:
F1 Interior windows

LOOSE FURNISHINGS:

Visitor chairs
End table
Wastebasket

FINISHES:

Flooring:
Carpet

Base:

Resilient base

Ceiling:

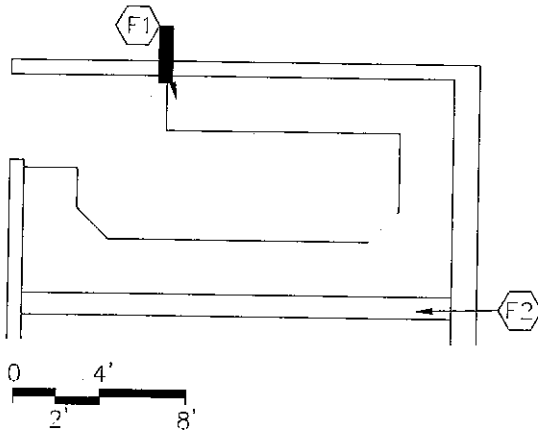
Suspended, acoustical

Walls:

Painted gypsum wallboard
over metal studs

NOTES:

1. Electrical: duplex receptacles; single-level switching
2. Technology: video port, voice port & phone; clock



FEATURES:

Fixed Equipment:

- F1 Work surface with file drawers
- F2 High counter top

LOOSE FURNISHINGS:

- Secretarial chair(s)
- Wastebasket(s)

FINISHES:

Flooring:
Carpet

Base:

Resilient base

Ceiling:

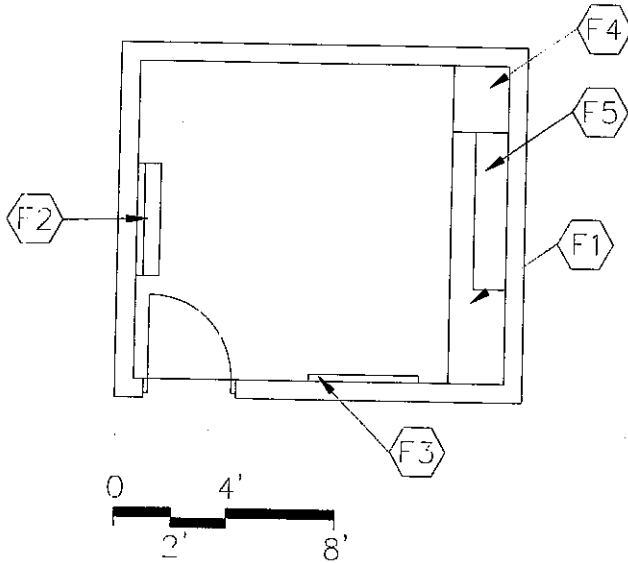
Suspended, acoustical

Walls:

Painted gypsum wallboard
over metal studs

NOTES:

1. Electrical: duplex receptacles; single-level switching
2. Technology: data port, voice port & phone at each secretarial station; (1) fax port, (1) data port for printer; clock
3. Miscellaneous: fax machine; printer; computer/typewriter



FEATURES:

Fixed Equipment:

- F1 Work surface with file drawers
- F2 Chalk/marker board
- F3 Tack board
- F4 Tall wardrobe
- F5 Wall cabinets

LOOSE FURNISHINGS:

- Desk and chair
- Computer desk return
- Visitor chairs
- Wastebasket(s)

FINISHES:

Flooring:
Carpet

Base:

Resilient base

Ceiling:

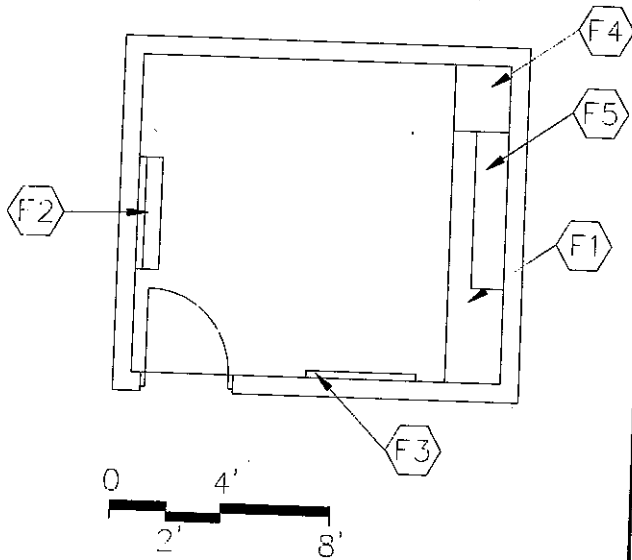
Suspended, acoustical

Walls:

Painted gypsum wallboard
over metal studs

NOTES:

1. Electrical: duplex receptacles; single-level switching
2. Technology data port, video port, voice port & phone; clock



FEATURES:

Fixed Equipment:

- F1 Work surface with file drawers
- F2 Chalk/marker board
- F3 Tack board
- F4 Tall wardrobe
- F5 Wall cabinets

LOOSE FURNISHINGS:

- Desk and chair
- Computer desk return
- Visitor chairs
- Wastebasket(s)

FINISHES:

Flooring:
Carpet

Base:

Resilient base

Ceiling:

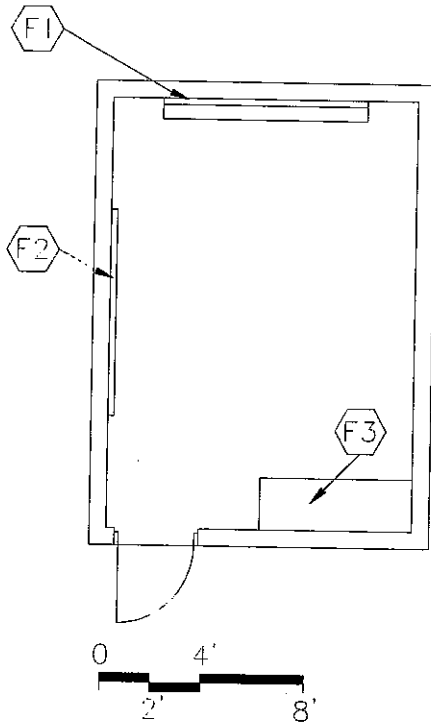
Suspended, acoustical

Walls:

Painted gypsum wallboard
over metal studs

NOTES:

1. Electrical: duplex receptacles; single-level switching
2. Technology: data port, video port, voice port & phone; clock



FEATURES:

Fixed Equipment:

- F1 Chalk/marker board
- F2 Tack board
- F3 Base cabinets

LOOSE FURNISHINGS:

- Conference table
- Chairs
- Wastebasket

FINISHES:

Flooring:
Carpet

Base:

Resilient base

Ceiling:

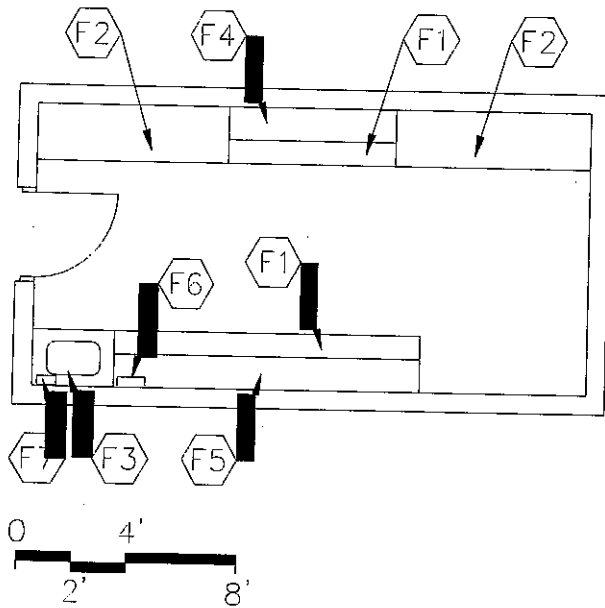
Suspended, acoustical

Walls:

Painted gypsum wallboard
over metal studs

NOTES:

1. Electrical: duplex receptacles; multi-level switching
2. Technology: data port, voice port & phone, video port and video display device; clock



- FEATURES: Fixed Equipment:**
- F1 Base cabinets
 - F2 Tall storage cabinets
 - F3 Sink base cabinet
 - F4 Mail cubicles
 - F5 Wall cabinets
 - F6 Towel dispenser
 - F7 Soap dispenser

- LOOSE FURNISHINGS:**
- Worktable
 - Wastebasket

FINISHES:
Flooring:
Resilient

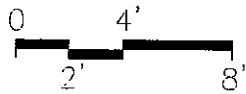
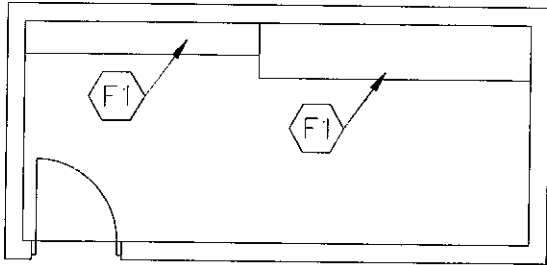
Base:
Resilient base
Ceiling:
Suspended, acoustical
Walls:
Painted gypsum wallboard over metal studs

NOTES:

1. Electric: duplex receptacles; single-level switching; receptacle for copier
2. Technology: voice port & phone; clock
3. Plumbing: Sink
4. Miscellaneous: Copier

FEATURES:
Fixed Equipment:
F1 Open metal shelving

LOOSE FURNISHINGS:
File cabinets



FINISHES:
Flooring:
Resilient

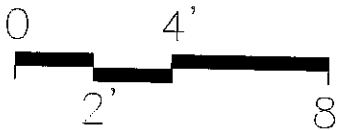
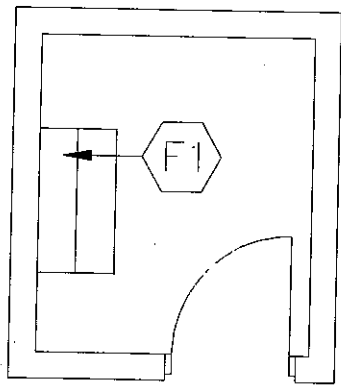
Base:
Resilient base
Ceiling:
Suspended, acoustical or
Exposed, painted structure
Walls:
Painted concrete masonry units

NOTES:

1. Electrical: duplex receptacle; single-level switching

FEATURES:
Fixed Equipment:
F1 Open metal shelving

LOOSE FURNISHINGS:
File cabinet
Safe

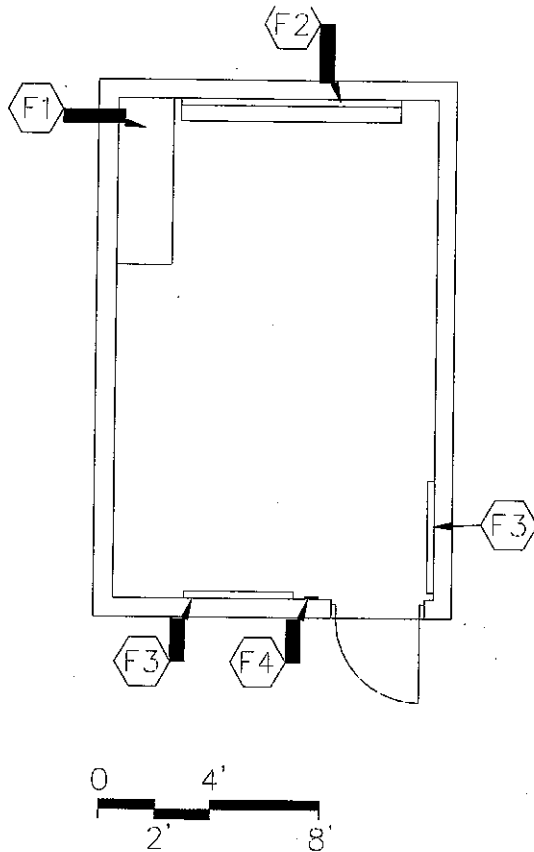


FINISHES:
Flooring:
Sealed concrete

Base:
Resilient base
Ceiling:
Rated 2-hour construction
Walls:
Painted concrete masonry units;
Rated 2-hour construction

NOTES:

1. Electrical: duplex receptacle; single-level switching



FEATURES:

Fixed Equipment:

- F1 Base cabinets
- F2 Chalk/marker board
- F3 Tack board
- F4 Pencil sharpener support

LOOSE FURNISHINGS:

- Student carrels and/or desks
- Student chairs
- Teacher desk and chair
- Computer workstation furniture
- Wastebasket
- Pencil sharpener

FINISHES:

Flooring:
Carpet

Base:

Resilient base

Ceiling:

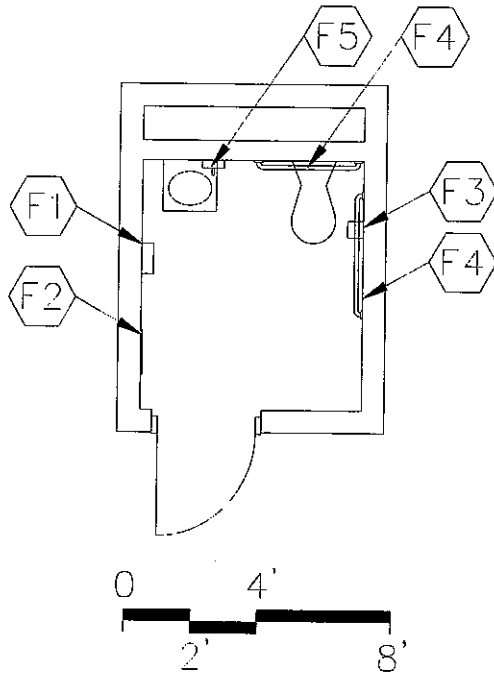
Suspended, acoustical

Walls:

Painted concrete masonry units

NOTES:

1. Electrical: duplex receptacles; single-level switching
2. Technology video port, data port, voice port & phone; data ports for students; clock



- FEATURES:**
Fixed Equipment:
 F1 Towel dispenser
 F2 24" x 60" mirror
 F3 Toilet tissue holder
 F4 36" and 42" grab bar
 F5 Soap dispenser

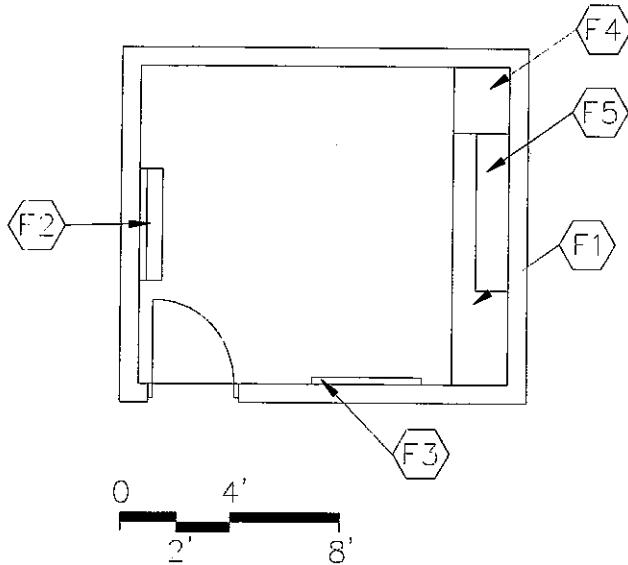
- LOOSE FURNISHINGS:**
 Wastebasket

- FINISHES:**
Flooring:
 Resilient
 (TER)
 Optional: ceramic mosaic tile, porcelain tile, or
 terrazzo

- Base:**
 Resilient base (optional: CMT, PT, or
Ceiling:
 Suspended, acoustical
Walls:
 Painted concrete masonry units

NOTES:

1. Plumbing: water closet and lavatory
2. Electrical: duplex receptacle; single-level switching



FEATURES:

Fixed Equipment:

- F1 Work surface with file drawers
- F2 Chalk/marker board
- F3 Tack board
- F4 Tall wardrobe
- F5 Wall cabinets

LOOSE FURNISHINGS:

- Desk and chair
- Computer desk return
- Visitor chairs
- Wastebasket

FINISHES:

Flooring:

Carpet

Base:

Resilient base

Ceiling:

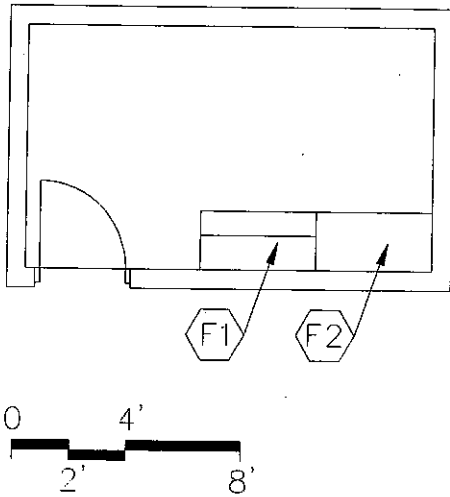
Suspended, acoustical

Walls:

Painted gypsum wallboard
over metal studs

NOTES:

1. Electrical: duplex receptacles; single-level switching
2. Technology: each data port, video port, voice port & phone; clock



FEATURES:
Fixed Equipment:
F1 Base and wall cabinets
F2 Tall storage cabinets

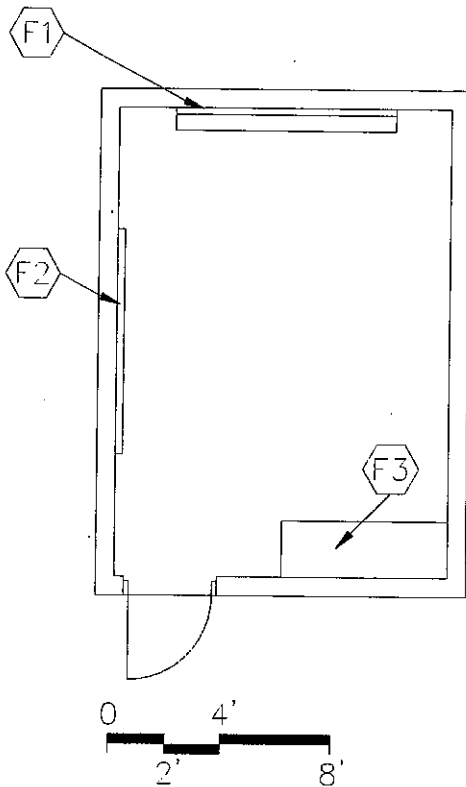
LOOSE FURNISHINGS:
File cabinets

FINISHES:
Flooring:
Resilient

Base:
Resilient base
Ceiling:
Rated 2-hour construction
Walls:
Painted gypsum wallboard over
metal studs; Rated 2 hour construction

NOTES:

1. Electrical: duplex receptacle; single-level switching



- F1 Chalk/marker board
- F2 Tack board
- F3 Base cabinets

LOOSE FURNISHINGS:

- Conference table
- Chairs
- Wastebasket

FINISHES:

Flooring:
Carpet

Base:

Resilient base

Ceiling:

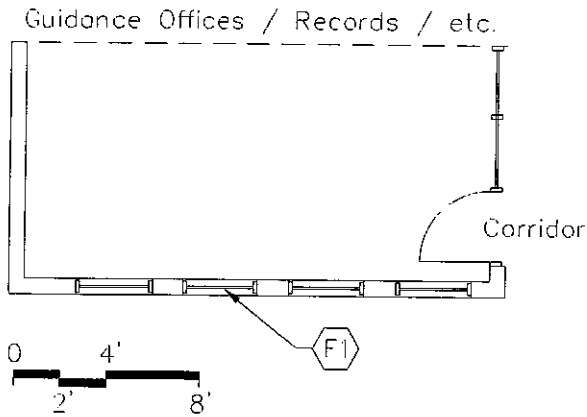
Suspended, acoustical

Walls:

Painted gypsum wallboard
over metal studs

NOTES:

1. Electrical: duplex receptacles; multi-level switching
2. Technology: video port and video display device, voice port & phone; data port; clock



FEATURES:
Fixed Equipment:
 F1 Interior windows

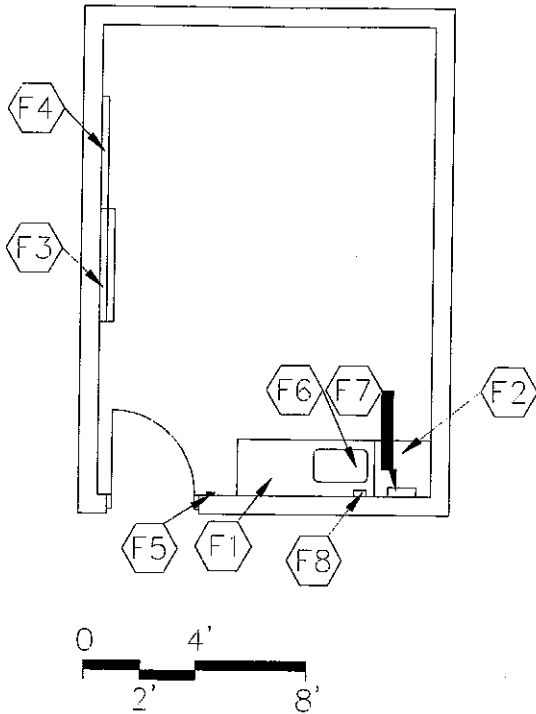
LOOSE FURNISHINGS:
 Visitor chairs
 End table
 Wastebasket

FINISHES:
Flooring:
 Carpet

Base:
 Resilient base
Ceiling:
 Suspended, acoustical
Walls:
 Painted gypsum wallboard
 over metal studs

NOTES:

1. Electrical: duplex receptacles; single-level switching
2. Technology: video port, voice port & phone; clock



FEATURES:

Fixed Equipment:

- F1 Base cabinets
- F2 Tall wardrobe
- F3 Chalk/marker board
- F4 Tack board
- F5 Pencil sharpener support
- F6 Sink base cabinet
- F7 Towel dispenser
- F8 Soap dispenser

LOOSE FURNISHINGS:

- Tables and chairs
- Computer workstation furniture
- Wastebasket
- Pencil sharpener

FINISHES:

Flooring:
Carpet

Base:

Resilient base

Ceiling:

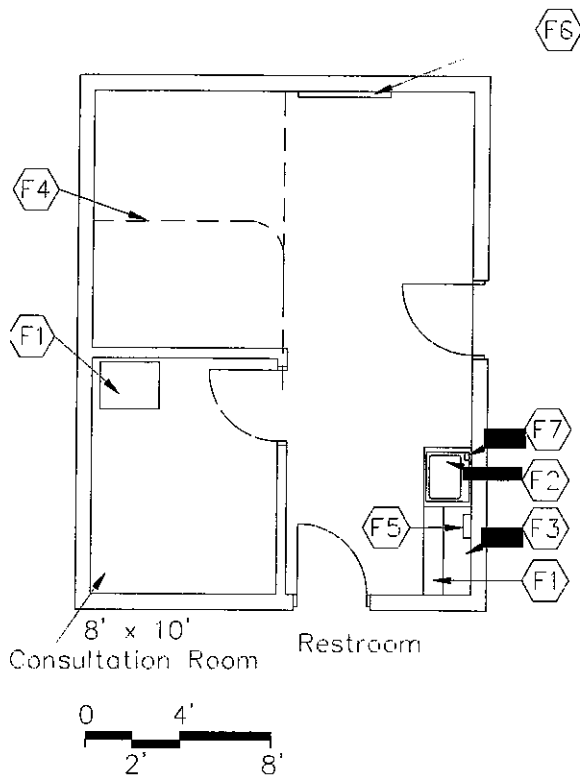
Suspended, acoustical

Walls:

Painted gypsum wallboard over metal studs

NOTES:

1. Electrical: duplex receptacles; single-level switching
2. Technology: video port, video display device, voice port & phone; data port; clock
3. Plumbing: Sink



FEATURES:

Fixed Equipment:

- F1 Base cabinets
- F2 Sink base cabinet
- F3 Wall cabinets; lockable
- F4 Cubicle curtain and track
- F5 Towel dispenser
- F6 Tack board
- F7 Soap dispenser

LOOSE FURNISHINGS:

- Cots
- Refrigerator with ice making capabilities
- Desk and chair
- Chairs Stool
- Wastebasket

FINISHES:

Flooring:

Seamless sheet vinyl

Base:

Resilient base

Ceiling:

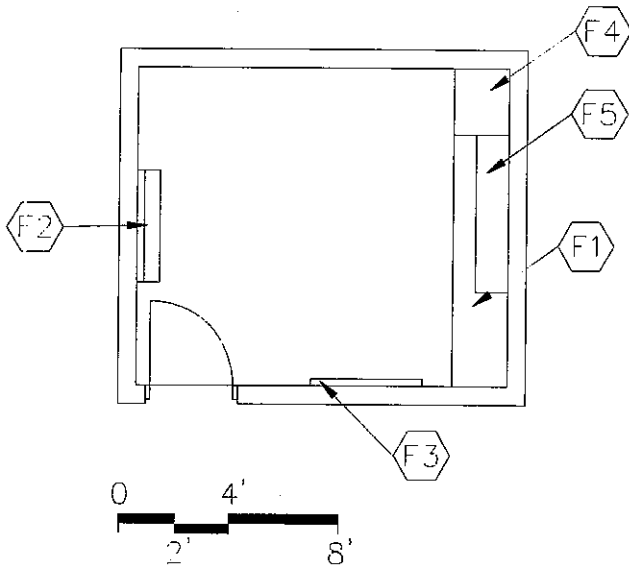
Suspended, acoustical

Walls:

Painted gypsum wallboard over metal studs

NOTES:

1. Electrical: duplex receptacles; single-level switching; receptacle for refrigerator
2. Technology: voice port & phone; data port; clock
3. Plumbing: Sink
4. Restroom must be located adjacent to health clinic.



FEATURES:

Fixed Equipment:

- F1 Work surface with file drawers
- F2 Chalk/marker board
- F3 Tack board
- F4 Tall wardrobe
- F5 Wall cabinets

LOOSE FURNISHINGS:

- Desk and chair
- Computer desk return
- Visitor chairs
- Wastebasket(s)

FINISHES:

Flooring:

Carpet

Base:

Resilient base

Ceiling:

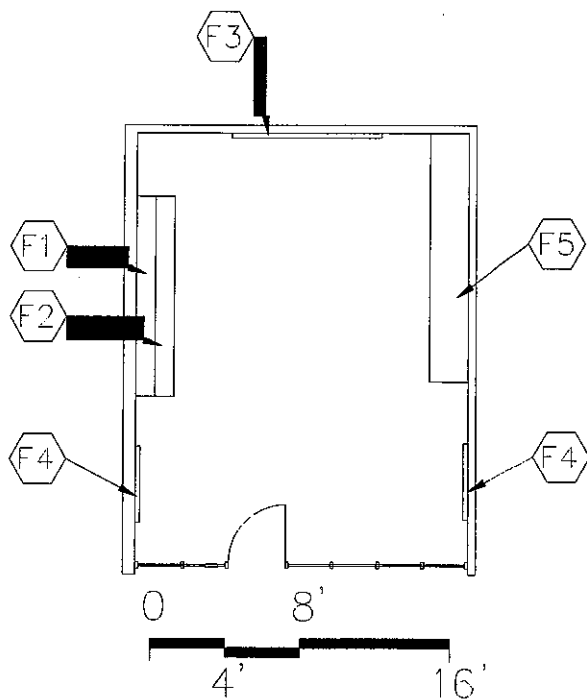
Suspended, acoustical

Walls:

Painted gypsum wallboard
over metal studs

NOTES:

1. Electrical: duplex receptacles; single-level switching
2. Technology: data port, video port, voice port & phone; clock



FEATURES:

Fixed Equipment:

- F1 Display cabinets
- F2 Base cabinets
- F3 Chalk/marker board
- F4 Tack board
- F5 Workstation

LOOSE FURNISHINGS:

- Work tables and chairs
- Workstations
- Reading chairs
- Small table
- Wastebasket

FINISHES:

Flooring:

Carpet

Base:

Resilient base

Ceiling:

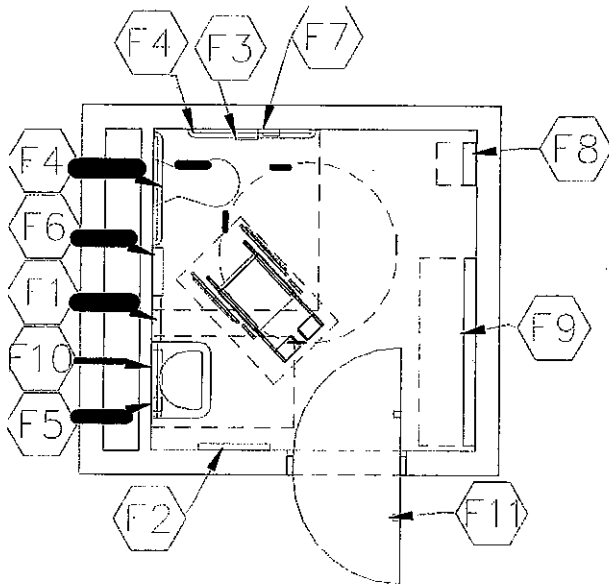
Suspended, acoustical

Walls:

Painted concrete masonry units

NOTES:

1. Electrical: duplex receptacles; multi-level switching
2. Technology: video port and video display device, voice port, clock; data ports at workstations



FEATURES:

Fixed Equipment:

- F1 Towel dispenser
- F2 24" x 60" mirror
- F3 Toilet tissue holder
- F4 36" and 42" grab bar
- F5 Soap dispenser
- F6 Sanitary napkin dispenser/disposal
- F7 Folding utility shelf
- F8 Mounted child seat
- F9 Adult/child changing station
- F10 16" x 24" mirror with shelf
- F11 Coat hooks

LOOSE FURNISHINGS:

- Wastebasket

FINISHES:

Flooring:

Resilient
TER)

Optional: ceramic mosaic tile, porcelain tile, or
terrazzo

Base:

Resilient base (optional: CMT, PT, or

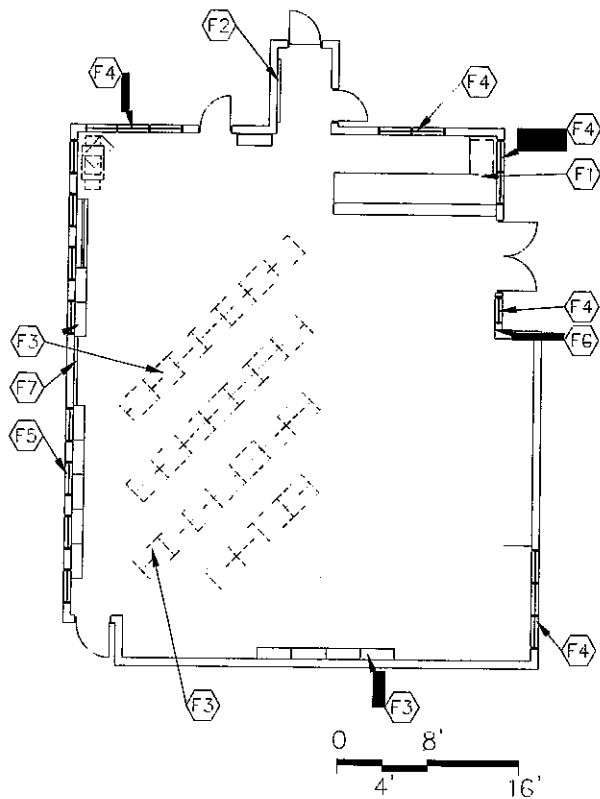
Ceiling:
Suspended, acoustical

Walls:

Painted concrete masonry units

NOTES:

1. Plumbing: water closet and lavatory; floor drain
2. Electrical: duplex receptacle; single-level switching



FEATURES:

Fixed Equipment:

- F1 Circulation desk casework
- F2 Tack board
- F3 Library book shelving
- F4 Interior windows
- F5 Windows with integral blinds
- F6 Pencil sharpener support
- F7 Chalk/marker board

LOOSE FURNISHINGS:

- Student tables and chairs
- Computer workstation furniture
- Circulation desk task chair
- Dictionary stand
- Atlas stand
- Paperback book rack
- Lateral file
- Mobile book carts
- Magazine display
- Newspaper rack
- Study carrels
- Desk height filing cabinets
- Casual seating chairs
- Wastebaskets
- Pencil sharpener

FINISHES:

Flooring:
Carpet

Base:

Resilient base

Ceiling:

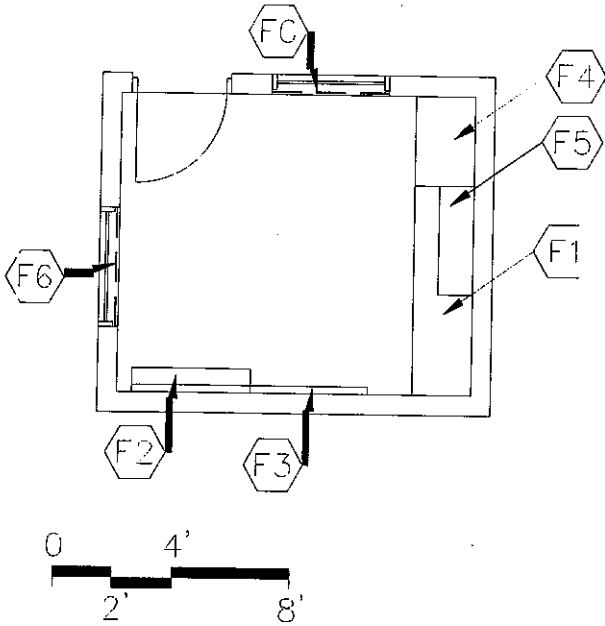
Suspended, acoustical

Walls:

Painted concrete masonry units

NOTES:

1. Electrical: duplex receptacles; multi-level switching
2. Technology: video ports and video display devices, voice port & phone; data ports for students; data ports for library automation system; clock
3. Miscellaneous: -printers – one at circulation desk and one in student work area



FEATURES:

Fixed Equipment:

- F1 Work surface with file drawers
- F2 Chalk/marker board
- F3 Tack board
- F4 Tall wardrobe
- F5 Wall cabinets
- F6 Interior window

LOOSE FURNISHINGS:

- Desk and chair
- Computer desk return
- Visitor chairs
- File cabinet
- Wastebasket(s)

FINISHES:

Flooring:
Carpet

Base:

Resilient base

Ceiling:

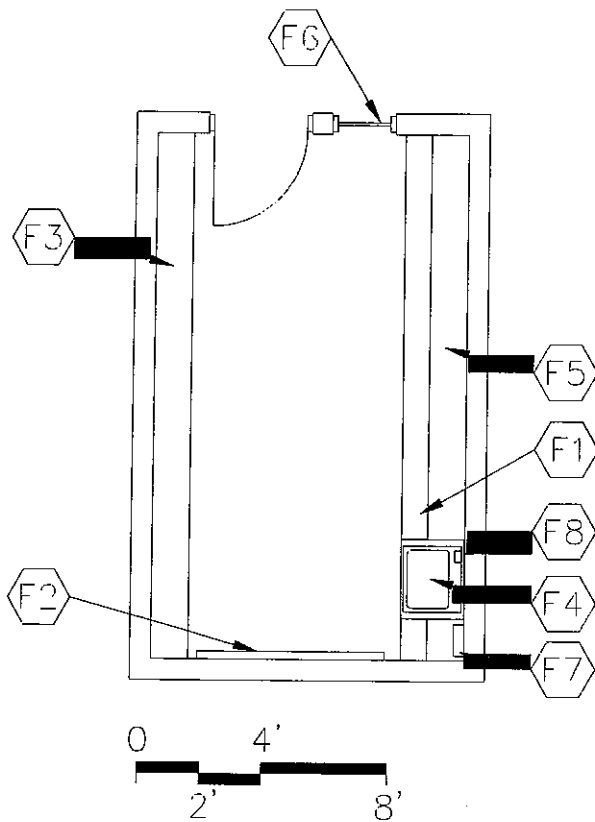
Suspended, acoustical

Walls:

Painted concrete masonry units

NOTES:

1. Electrical: duplex receptacles; single-level switching
2. Technology: data port, video port, voice port & phone; clock



- FEATURES: Fixed**
Equipment: F1
 Base cabinets
 F2 Tack board
 F3 Bookcases
 F4 Sink base cabinet
 F5 Wall cabinets F6
 Interior window
 F7 Towel dispenser
 F8 Soap dispenser

- LOOSE FURNISHINGS:**
 Tables and chairs
 Book trucks
 Wastebasket

FINISHES:

Flooring:
Resilient

Base:

Resilient base

Ceiling:

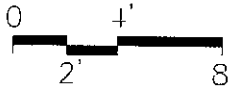
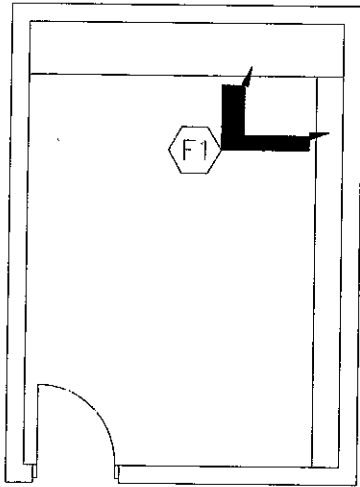
Suspended, acoustical

Walls:

Painted concrete masonry units

NOTES:

1. Electrical: duplex receptacles; single-level switching
2. Technology: data port, voice port & phone; clock
3. Plumbing: Sink



FEATURES:
Fixed Equipment:
F1 Tall shelving

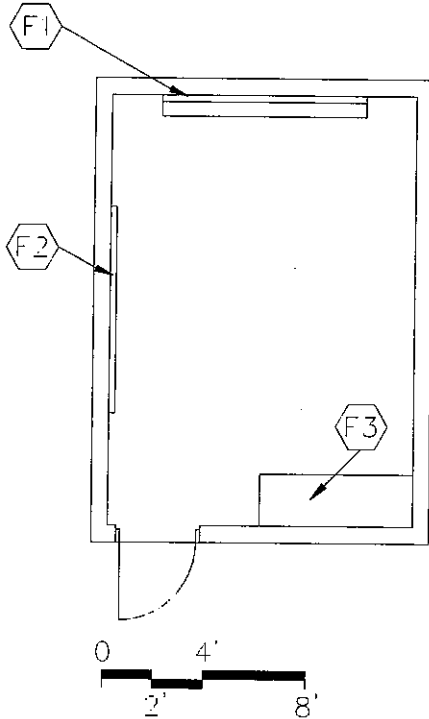
LOOSE FURNISHINGS:
Desk and chair
Wastebasket

FINISHES:
Flooring:
Resilient

Base:
Resilient base
Ceiling:
Suspended, acoustical or
Exposed, painted structure
Walls:
Painted concrete masonry units

NOTES:

1. Electrical: duplex receptacles; single-level switching
2. Technology: data port, voice port and phone



FEATURES:

- Fixed Equipment:**
 F1 Chalk/marker board
 F2 Tack board
 F3 Base cabinets

LOOSE FURNISHINGS:

- Conference table
 Chairs
 Wastebasket

FINISHES:

Flooring:
 Carpet

Base:

Resilient base

Ceiling:

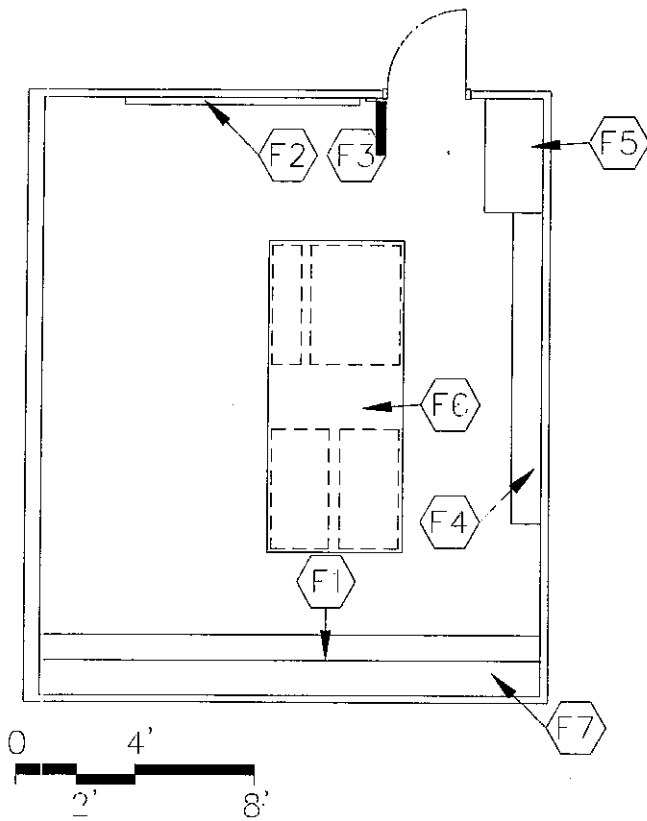
Suspended, acoustical

Walls:

Painted concrete masonry units

NOTES:

1. Electrical: duplex receptacles; multi-level switching
2. Technology: data port, voice port & phone, video port and video display device; clock



FEATURES:

Fixed Equipment:

- F1 Base cabinets with file drawers
- F2 Tack board
- F3 Pencil sharpener support
- F4 Tall bookcases
- F5 Tall cabinets
- F6 Work surface with base cabinets below
- F7 Wall cabinets

LOOSE FURNISHINGS:

- Tables and chairs/stools
- Computer workstation furniture
- Wastebasket
- Pencil sharpener

FINISHES:

Flooring:
Resilient

Base:

Resilient base

Ceiling:

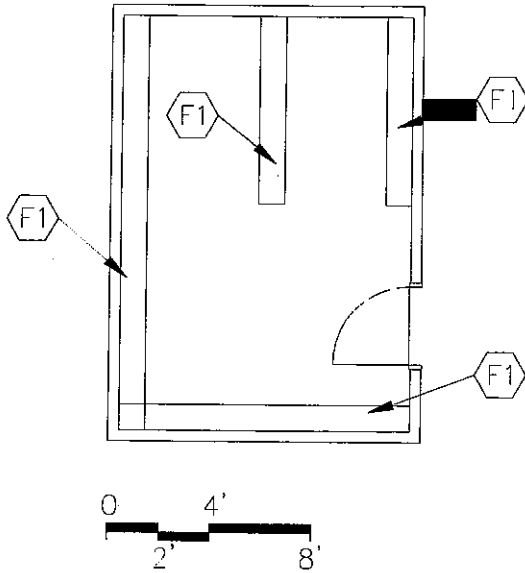
Suspended, acoustical

Walls:

Painted concrete masonry units

NOTES:

1. Electrical: duplex receptacles; multi-level switching
2. Technology: video port and video display device, voice port & phone; data ports for students; clock



FEATURES:
Fixed Equipment:
F1 Open metal shelving

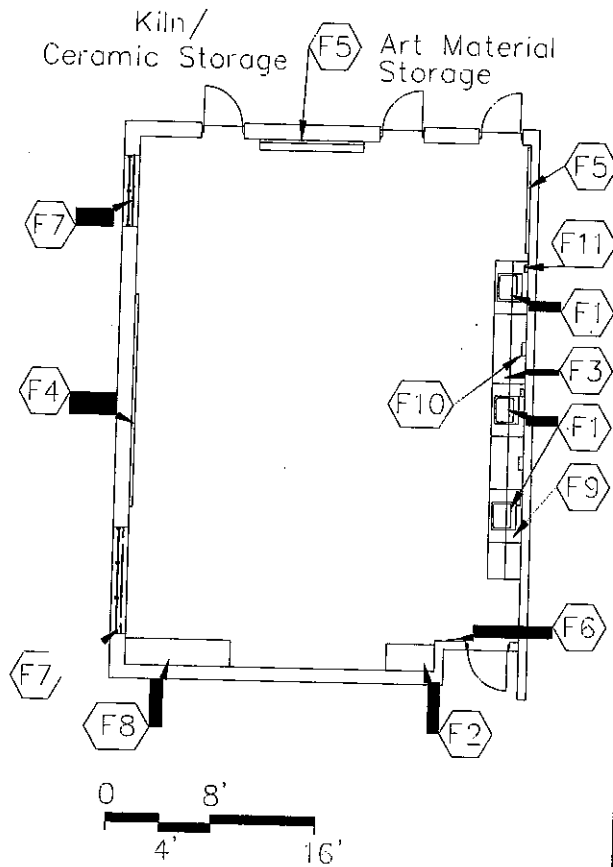
LOOSE FURNISHINGS:
N/A

FINISHES:
Flooring:
Resilient

Base:
Resilient base
Ceiling:
Suspended, acoustical
Walls:
Painted concrete masonry units

NOTES:

1. Electrical: duplex receptacles; single-level switching



FEATURES:

Fixed Equipment:

- F1 Sink base cabinet, 30" deep
- F2 Tall wardrobe w/file drawers
- F3 Base cabinets, 30" deep
- F4 Tack board
- F5 Chalk/marker board
- F6 Pencil sharpener support
- F7 Windows with integral blinds
- F8 Tall storage cabinets with pull out shelves
- F9 Wall cabinets
- F10 Towel dispensers
- F11 Soap dispensers

LOOSE FURNISHINGS:

- Student worktables
- Student chairs or stools
- Teacher workstation/computer support and chair
- Computer workstation furniture
- Drying rack
- Desk height file cabinet
- Wastebasket
- Pencil sharpener

FINISHES:

Flooring:
Resilient or sealed concrete

Base:

Resilient base

Ceiling:

Suspended, acoustical

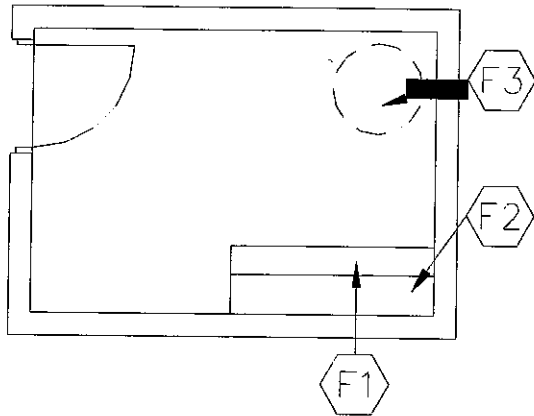
Walls:

Painted concrete masonry units

NOTES:

1. Electrical: duplex receptacles; multi-level switching; track lighting
2. Technology: video port, data port, voice port & phone; data ports for students; clock; overhead projector
3. Plumbing: Sinks with solids interceptor
4. HVAC: Manually operated exhaust air system

Art
Room



FEATURES:

- Fixed Equipment:**
 F1 Base cabinets
 F2 Wall cabinets
 F3 Kiln

LOOSE FURNISHINGS:

- Tall dry storage units
 Tall damp storage units

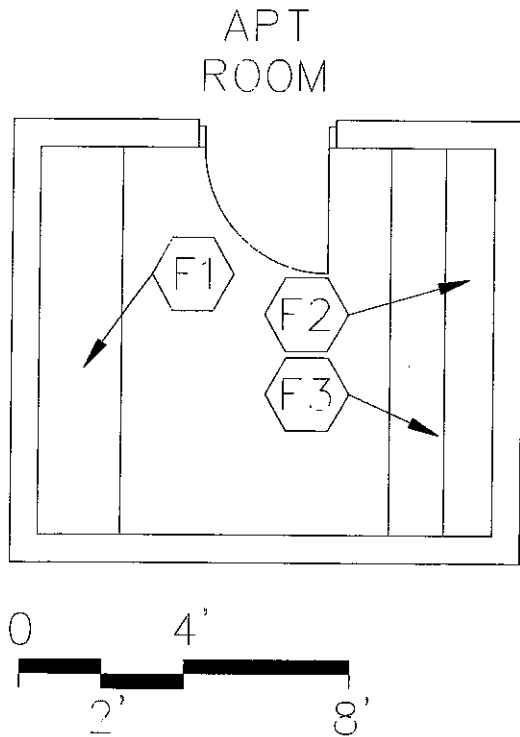
FINISHES:

Flooring:
 Sealed concrete

Base:
 Resilient base
Ceiling:
 Suspended, acoustical
Walls:
 Painted concrete masonry units;

NOTES:

1. Electrical: duplex receptacle; single-level switching; electrical connection for kiln
2. HVAC: Temperature controlled exhaust; ventilation for kiln



FEATURES:

Fixed Equipment:

- F1 Tall storage cabinets
- F2 Base cabinets, 30" deep
- F3 Wall cabinets, 12" deep

LOOSE FURNISHINGS:

- Mobile materials cart

FINISHES:

Flooring:
Resilient

Base:

Resilient base

Ceiling:

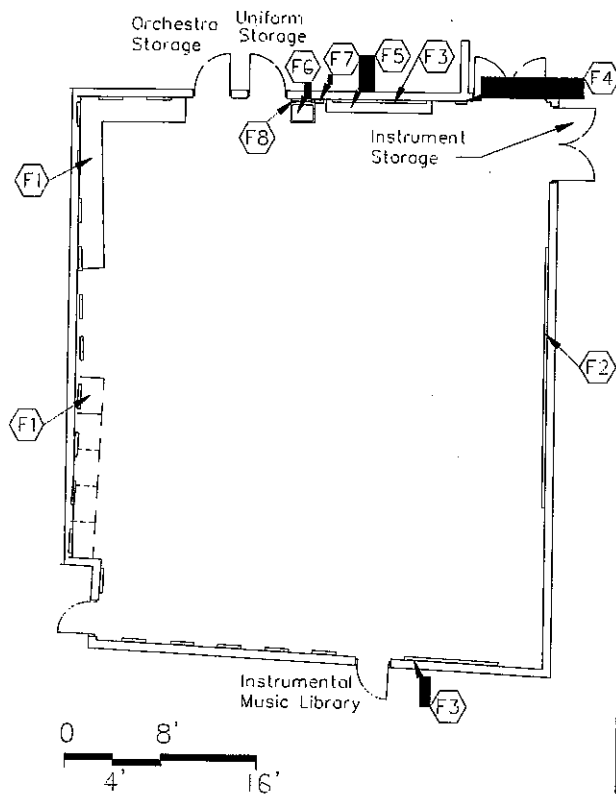
Suspended, acoustical or
Exposed, painted structure

Walls:

Painted concrete masonry units

NOTES:

1. Electrical: duplex receptacle; single-level switching



FEATURES: Fixed Equipment: F1

- Base cabinets
- F2 Chalk/marker board with staff lines
- F3 Tack board
- F4 Pencil sharpener support
- F5 Bookcases
- F6 Sink base cabinet
- F7 Towel dispenser
- F8 Soap dispenser

LOOSE FURNISHINGS:

- Conducting podium
- Mobile percussion instrument storage cabinet
- Computer workstation furniture
- Mobile sheet music cabinet
- Music chairs
- Music stands
- Wastebasket
- Pencil sharpener

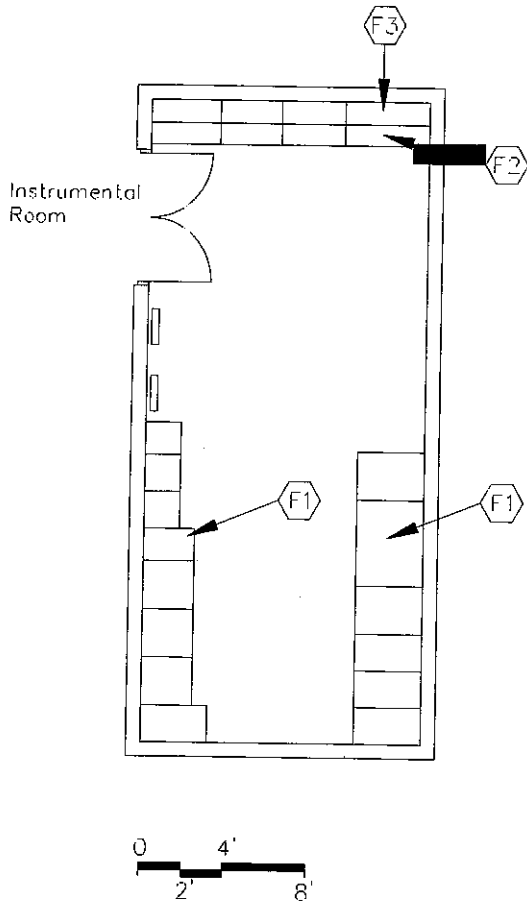
FINISHES:

- Flooring:**
 Carpet
 Optional: Resilient

- Base:**
 Resilient base
Ceiling:
 Suspended, acoustical
Walls:
 Painted concrete masonry units
 Acoustical wall treatment

NOTES:

1. Electrical: duplex receptacles; multi-level switching; telecommunications grounding
2. Technology: video ports, voice port & phone; data port; data ports for students; clock; overhead projector
3. Plumbing: Drinking water cooler; 10" deep sink
4. Miscellaneous: Piano; doors to have acoustic trim accessories



FEATURES:

Fixed Equipment:

- F1 Miscellaneous instrument storage cabinets
- F2 Base cabinets
- F3 Wall cabinets

LOOSE FURNISHINGS:

- Wastebasket

FINISHES:

Flooring:
Resilient

Base:

Resilient base

Ceiling:

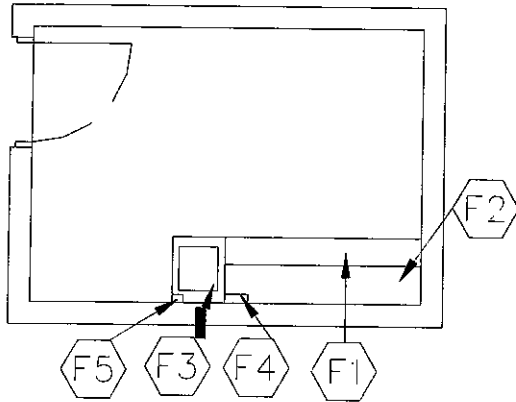
Suspended, acoustical

Walls:

Painted concrete masonry units

NOTES:

1. Electrical: duplex receptacle; single-level switching



FEATURES:

Fixed Equipment:

- F1 Base cabinet
- F2 Wall cabinet
- F3 Sink base cabinet
- F4 Towel dispenser
- F5 Soap dispenser

LOOSE FURNISHINGS:

- Storage units
- Wastebasket
- Table and chairs

FINISHES:

Flooring:
Resilient

Base:

Resilient base

Ceiling:

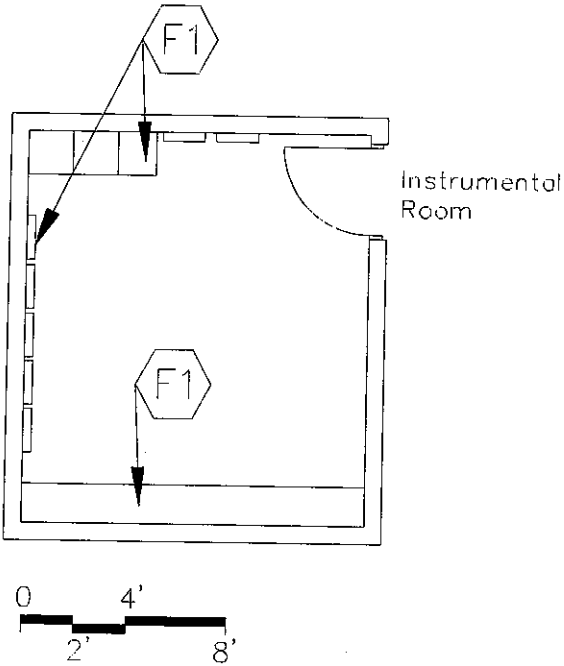
Suspended, acoustical

Walls:

Painted concrete masonry units

NOTES:

1. Electrical: duplex receptacle; single-level switching
2. Plumbing: Sink; plumbing connections



FEATURES:
Fixed Equipment:
F1 Miscellaneous instrument storage cabinets

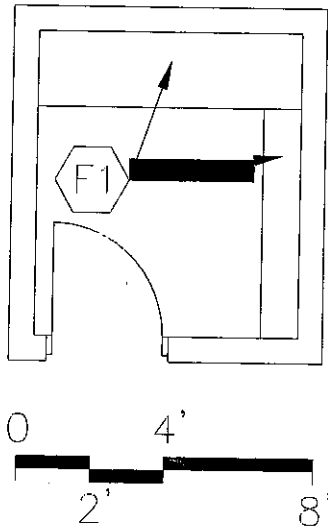
LOOSE FURNISHINGS:
Carts for large instruments

FINISHES:
Flooring:
Resilient

Base:
Resilient base
Ceiling:
Suspended, acoustical
Walls:
Painted concrete masonry units

NOTES:

1. Electrical: duplex receptacle; single-level switching



FEATURES:
Fixed Equipment:
F1 Base and wall cabinets

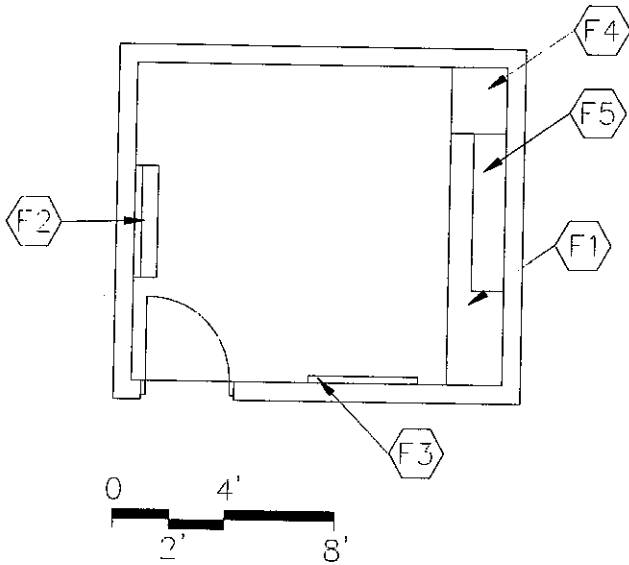
LOOSE FURNISHINGS:
Wastebasket

FINISHES:
Flooring:
Carpet

Base:
Resilient base
Ceiling:
Suspended, acoustical
Walls:
Painted gypsum wallboard
over metal studs or
Painted concrete masonry units

NOTES:

1. Electrical: duplex receptacles; single-level switching



FEATURES:

Fixed Equipment:

- F1 Work surface with file drawers
- F2 Chalk/marker board
- F3 Tack board
- F4 Tall wardrobe
- F5 Wall cabinets

LOOSE FURNISHINGS:

- Desk and chair
- Computer desk return
- Visitor chairs
- Wastebasket

FINISHES:

Flooring:
Carpet

Base:

Resilient base

Ceiling:

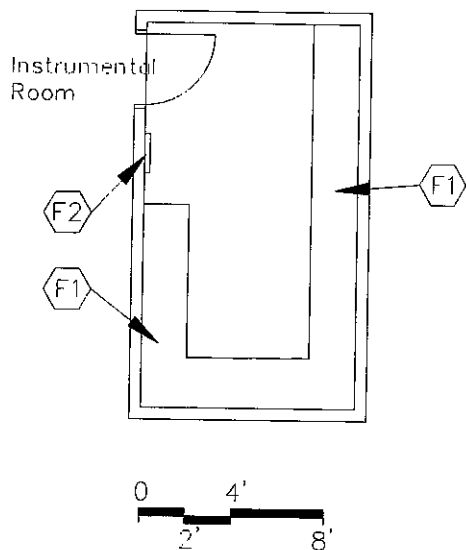
Suspended, acoustical

Walls:

Painted gypsum wallboard
over metal studs

NOTES:

1. Electrical: duplex receptacles; single-level switching
2. Technology: data port, video port, voice port & phone; clock



FEATURES:
Fixed Equipment:
 F1 High uniform storage cabinets
 F2 Mirror

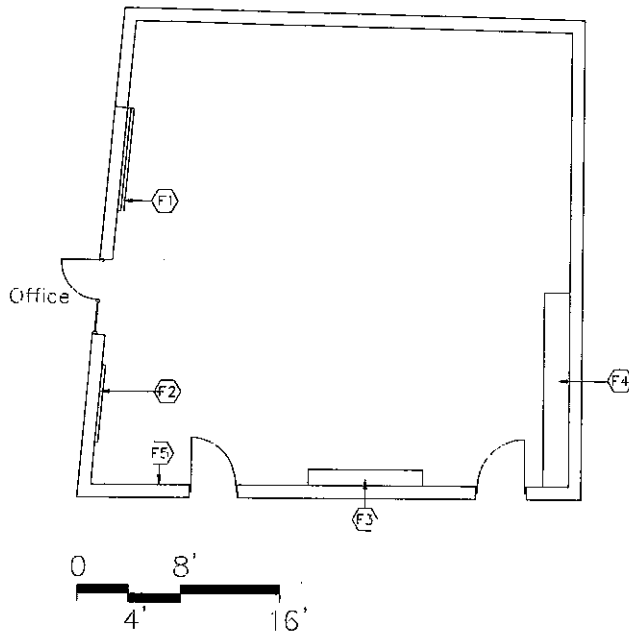
LOOSE FURNISHINGS:
 NA

FINISHES:
Flooring:
 Resilient

Base:
 Resilient base
Ceiling:
 Suspended, acoustical
Walls:
 Painted concrete masonry units

NOTES:

1. Electrical: duplex receptacle; single-level switching

**FEATURES:****Fixed Equipment:**

- F1 30' x 5' mirror mounted 12" above floor
- F2 Chalk/marker board with staff lines
- F3 Tack board
- F4 Pencil sharpener support
- F5 Base cabinets
- F6 Tall storage cabinet
- F7 Wall cabinets

LOOSE FURNISHINGS:

- Conducting podium
- Computer workstation furniture
- Mobile sheet music cabinet
- Music chairs
- Portable risers
- Wastebasket
- Pencil sharpener

FINISHES:**Flooring:**

- Carpet
- Optional: Resilient

Base:

- Resilient base

Ceiling:

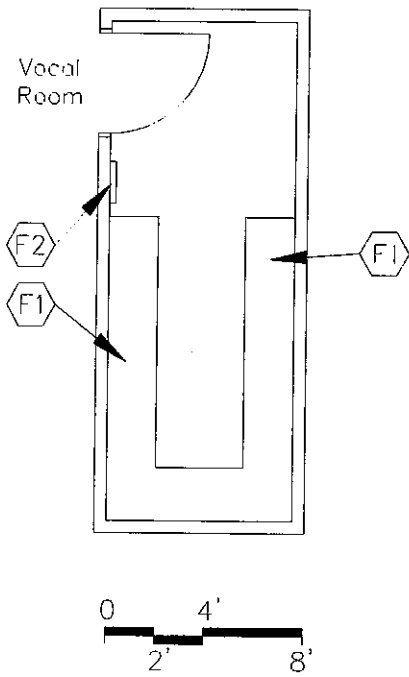
- Suspended, acoustical

Walls:

- Painted concrete masonry units
- Acoustical wall treatment (optional)

NOTES:

1. **Electrical:** duplex receptacles; multi-level switching; telecommunications grounding
2. **Technology:** video ports; voice port & phone; data port; data ports for students; clock; overhead projector
3. **Miscellaneous:** Piano



FEATURES:
Fixed Equipment:
 F1 High robe storage cabinets
 F2 Mirror

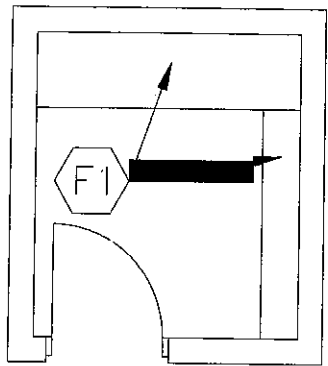
LOOSE FURNISHINGS:
 NA

FINISHES:
Flooring:
 Resilient

Base:
 Resilient base
Ceiling:
 Suspended, acoustical
Walls:
 Painted concrete masonry units

NOTES:

1. Electrical: duplex receptacle; single-level switching
2. Miscellaneous: Space for storage of portable risers



FEATURES:
Fixed Equipment:
F1 Base and wall cabinets

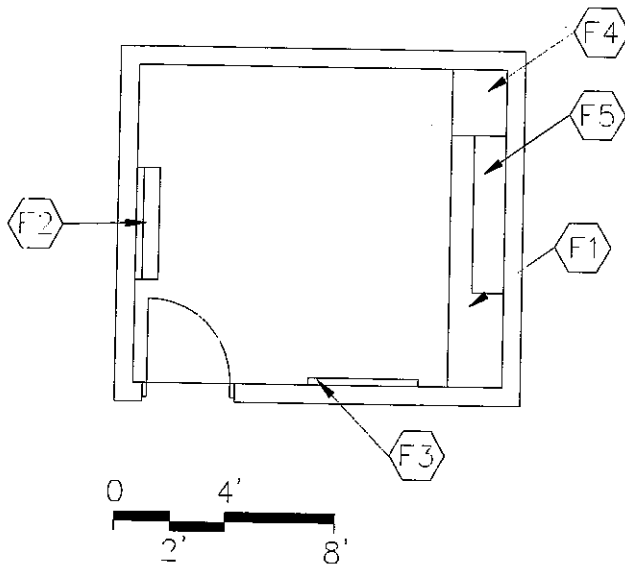
LOOSE FURNISHINGS:
Wastebasket

FINISHES:
Flooring:
Carpet

Base:
Resilient base
Ceiling:
Suspended, acoustical
Walls:
Painted gypsum wallboard
over metal studs

NOTES:

1. Electrical: duplex receptacles; single-level switching



- FEATURES:**
Fixed Equipment:
 F1 Work surface with file drawers
 F2 Chalk/marker board
 F3 Tack board
 F4 Tall wardrobe
 F5 Wall cabinets

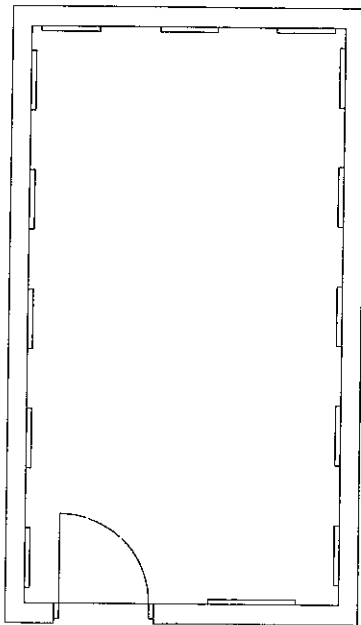
- LOOSE FURNISHINGS:**
 Desk and chair
 Computer desk return
 Visitor chairs
 Wastebasket

FINISHES:
Flooring:
 Carpet

Base:
 Resilient base
Ceiling:
 Suspended, acoustical
Walls:
 Painted gypsum wallboard
 over metal studs or
 Painted concrete masonry units

NOTES:

1. Electrical: duplex receptacles; single-level switching
2. Technology: data port, video port, voice port & phone; clock



FEATURES:
Fixed Equipment:
NA

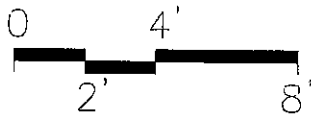
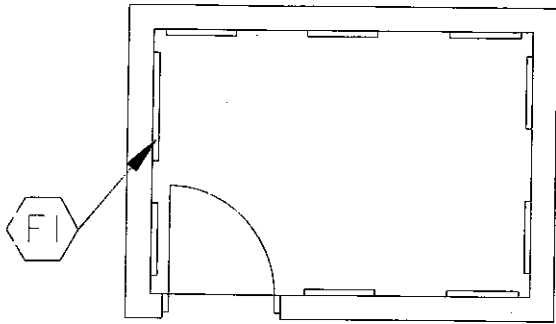
LOOSE FURNISHINGS:
Music stands
Music chairs

FINISHES:
Flooring:
Carpet

Base:
Resilient base
Ceiling:
Suspended, acoustical
Walls:
Painted concrete masonry units
Acoustical wall treatment

NOTES:

1. Electrical: duplex receptacles; single-level switching
2. Technology: Clock
3. Miscellaneous: Provide 4' door



FEATURES:

Fixed Equipment:

3' x 5' high mirror mounted 12" above finish floor

LOOSE FURNISHINGS:

Music stands

Music chairs

FINISHES:

Flooring:

Carpet

Base:

Resilient base

Ceiling:

Suspended, acoustical

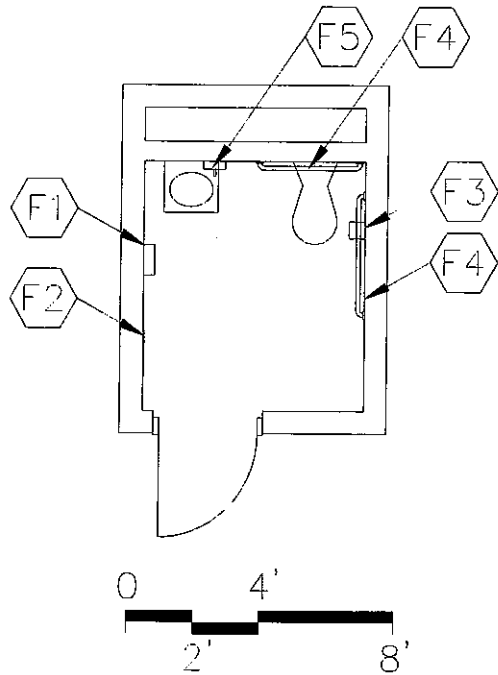
Walls:

Painted concrete masonry units

Acoustical wall treatment

NOTES:

1. Electrical: duplex receptacles; single-level switching



FEATURES:

Fixed Equipment:

- F1 Towel dispenser
- F2 24" x 60" mirror
- F3 Toilet tissue holder
- F4 36" and 42" grab bar
- F5 Soap dispenser

LOOSE FURNISHINGS:

Wastebasket

FINISHES:

Flooring:

Resilient
(TER)

Optional: ceramic mosaic tile, porcelain tile, or
terrazzo

Base:

Resilient base (optional: CMT, PT, or

Ceiling:

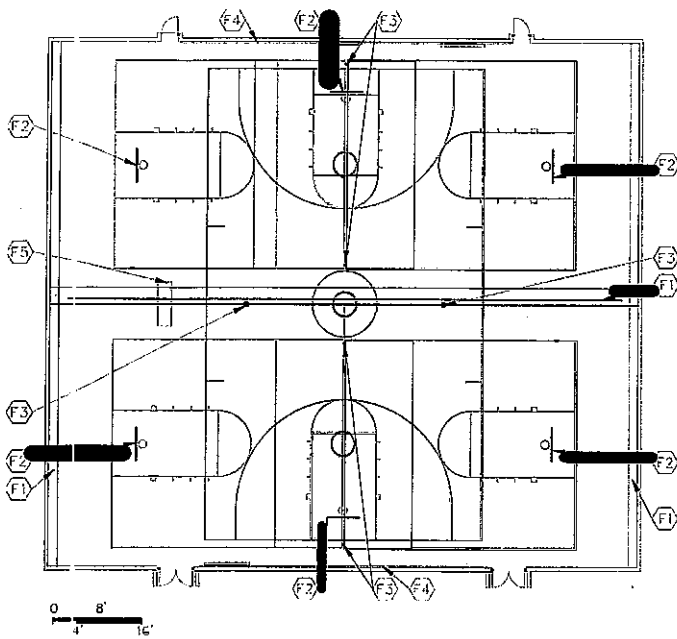
Suspended, acoustical

Walls:

Painted concrete masonry units

NOTES:

1. Plumbing: water closet and lavatory
2. Electrical: duplex receptacle; single-level switching



FEATURES:

Fixed Equipment:

- F1 Divider gym curtain
- F2 Basketball backstops – glass, adjustable height
- F3 Volleyball sleeves and standards on a cart
- F4 Safety wall wainscot
- F5 Scorer table

LOOSE FURNISHINGS:

Portable chalkboard

MISCELLANEOUS:

Handicapped seating
Court markings
Wire guards on light fixtures and wall-mounted electrical devices

FINISHES:

Flooring:
Wood flooring

Base:

Ventilated resilient base

Ceiling:

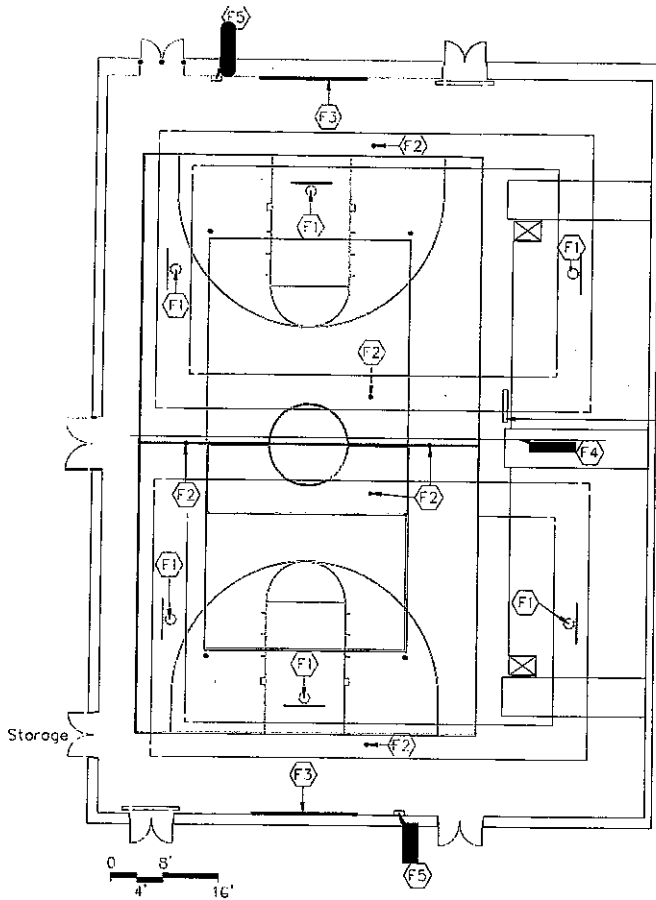
Painted, exposed structure

Walls:

Painted concrete masonry units
Sound absorbing concrete masonry units on 2 walls

NOTES:

1. Electrical: duplex receptacles; single-level switching; scoreboard; telecommunications grounding
2. Technology: video ports, monitor with cart; voice port; data ports; clocks with wire guards



FEATURES:

Fixed Equipment:

- F1 Basketball backstops – glass, adjustable height
- F2 Volleyball sleeves and standards on a cart
- F3 Safety wall wainscot
- F4 Divider gym curtain
- F5 Chin-up bar
- F6 Scorer table

LOOSE FURNISHINGS:

- Portable chalkboard

MISCELLANEOUS:

- Court markings
- Wire guards on light fixtures and wall-mounted electrical devices

FINISHES:

Flooring:

Wood flooring

Base:

Ventilated resilient base

Ceiling:

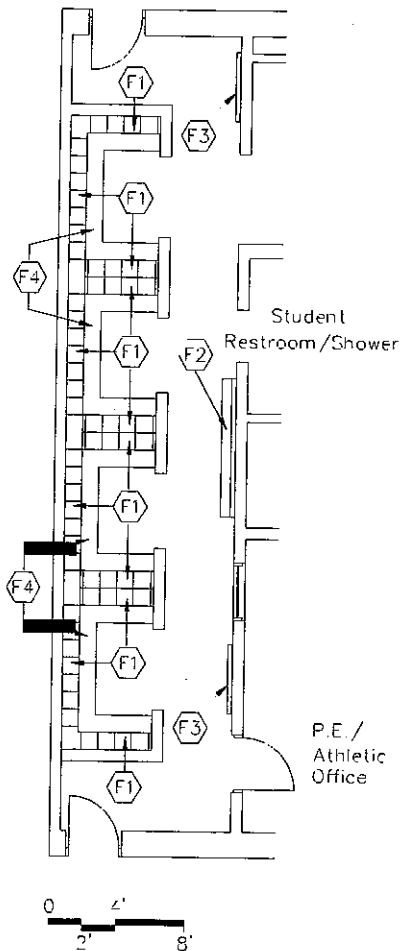
Painted, exposed structure

Walls:

Painted concrete masonry units
Sound absorbing concrete masonry units on 2 walls

NOTES:

1. Electrical: duplex receptacles; single-level switching; scoreboard; telecommunications grounding
2. Technology: video ports, monitor with cart; voice port; data ports; clocks with wire guards



FEATURES:

Fixed Equipment:

- F1 Athletic lockers
- F2 Chalk/marker board
- F3 Tack board
- F4 Locker benches

LOOSE FURNISHINGS:

- Wastebaskets

FINISHES:

Flooring:
Resilient or sealed concrete

Base:

Resilient base

Ceiling:

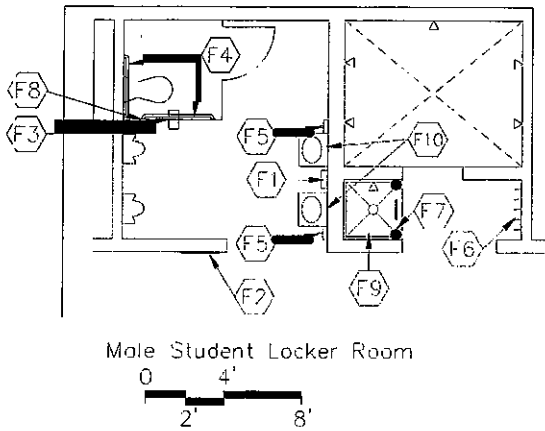
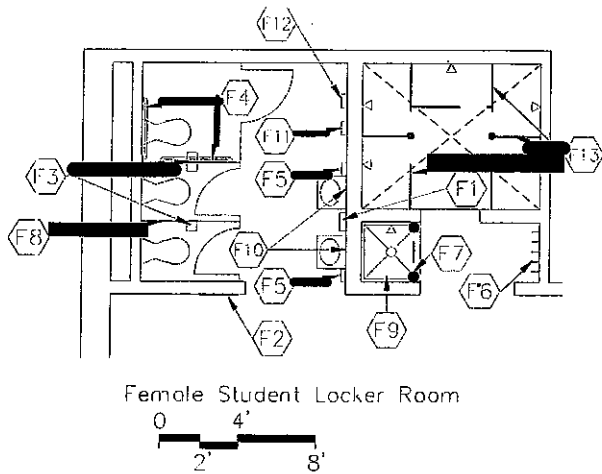
Suspended, acoustical with high-impact, hold-down clips (option: exposed, painted, pre-cast units)

Walls:

Painted concrete masonry units

NOTES:

1. Electrical: duplex receptacles; single-level switching
2. Technology: Clock
3. Plumbing: Drinking fountain



FEATURES:

Fixed Equipment:

- F1 Towel dispensers
- F2 24" by 60" mirror
- F3 Toilet tissue holders
- F4 36" and 42" grab bars
- F5 Soap dispensers
- F6 Towel hooks
- F7 Shower curtain and rod
- F8 Toilet partitions
- F9 ADA shower accessories
- F10 16" by 24" mirrors
- F11 Sanitary product dispensers
- F12 Sanitary product receptacles
- F13 Modesty shower partitions

LOOSE FURNISHINGS:

- Wastebaskets

FINISHES:

Flooring:

Restroom – Resilient

Shower - Ceramic mosaic tile, porcelain tile, or terrazzo

Base:

Restroom - Resilient base

Shower - Ceramic mosaic tile, porcelain tile, or Terrazzo

Ceiling:

Restroom - Suspended, acoustical with high-impact, hold-down clips

Shower - Painted portland cement plaster or interior finish system

Walls:

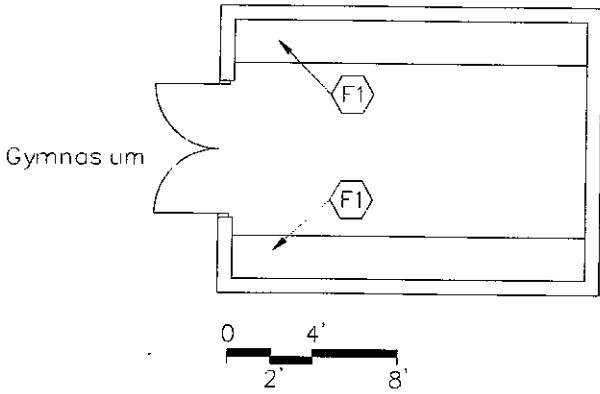
Epoxy-painted concrete masonry units

NOTES:

1. Electrical: duplex receptacle; single-level switching
2. Plumbing: water closets, lavatories, urinals; ADA shower controls and head; shower fixtures; floor drains

FEATURES:
Fixed Equipment:
F1 Open metal shelving

LOOSE FURNISHINGS:
Tumbling mats on carts
Ball carts

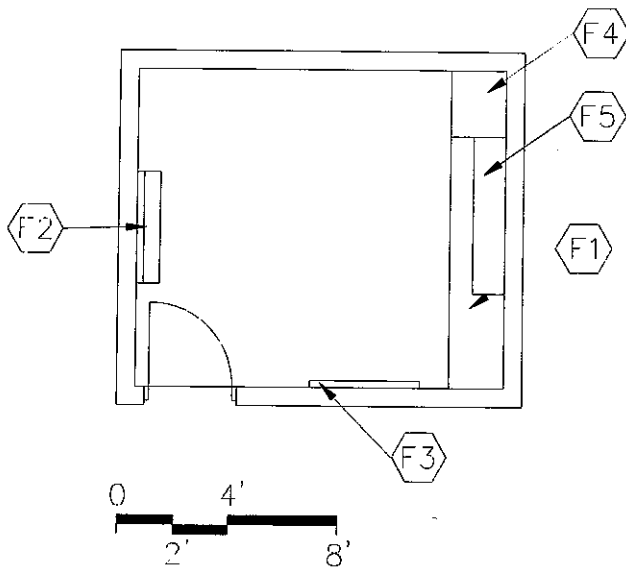


FINISHES:
Flooring:
Sealed concrete

Base:
Resilient base
Ceiling:
Suspended, acoustical or
Exposed, painted structure
Walls:
Painted concrete masonry units

NOTES:

1. Electrical: duplex receptacle; single-level switching



FEATURES:

Fixed Equipment:

- F1 Work surface with file drawers
- F2 Chalk/marker board
- F3 Tack board
- F4 Tall wardrobe
- F5 Wall cabinets

LOOSE FURNISHINGS:

- Desk and chair
- Computer desk return
- Visitor chairs
- Wastebasket

FINISHES:

Flooring:
Resilient

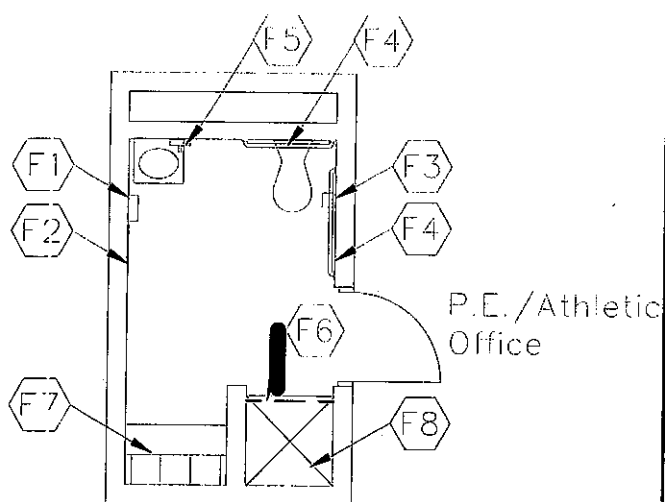
Base:
Resilient base

Ceiling:
Suspended, acoustical

Walls:
Painted concrete masonry units

NOTES:

1. Electrical: duplex receptacles; single-level switching
2. Technology: data port, video port, voice port & phone; clock



FEATURES:

Fixed Equipment:

- F1 Towel dispenser
- F2 24" x 60" mirror
- F3 Toilet tissue holder
- F4 36" and 42" grab bar
- F5 Soap dispenser
- F6 Shower curtain and rod
- F7 3 athletic lockers
- F8 ADA shower accessories

LOOSE FURNISHINGS:

- Wastebasket

FINISHES:

Flooring:

Restroom - Resilient

Shower - Ceramic mosaic tile, porcelain tile, or terrazzo

Base:

Restroom - Resilient base

Shower - Ceramic mosaic tile, porcelain tile, or terrazzo

Ceiling:

Restroom - Suspended, acoustical

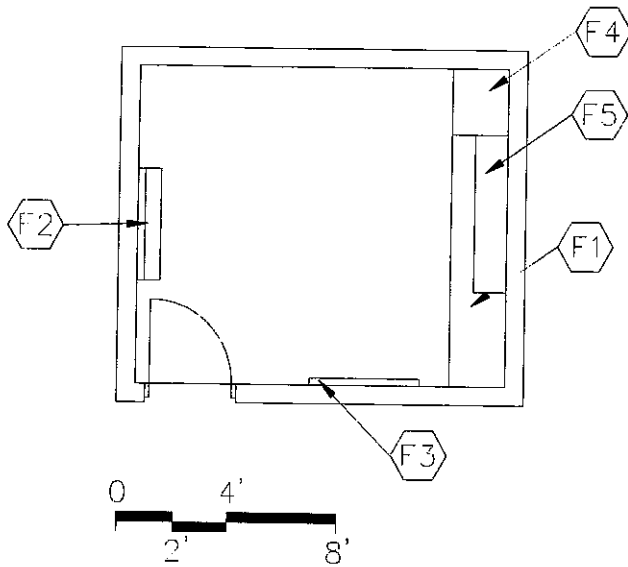
Shower - Painted portland cement plaster or interior finish system

Walls:

Epoxy painted concrete masonry units

NOTES:

1. Plumbing: water closet and lavatory; ADA shower controls and head; floor drain
2. Electrical: duplex receptacle; single-level switching



FEATURES:

Fixed Equipment:

- F1 Work surface with file drawers
- F2 Chalk/marker board
- F3 Tack board
- F4 Tall wardrobe
- F5 Wall cabinets

LOOSE FURNISHINGS:

- Desk and chair
- Computer desk return
- Visitor chairs
- File cabinet
- Wastebasket

FINISHES:

Flooring:

Carpet

Base:

Resilient base

Ceiling:

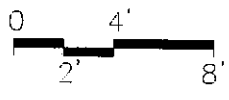
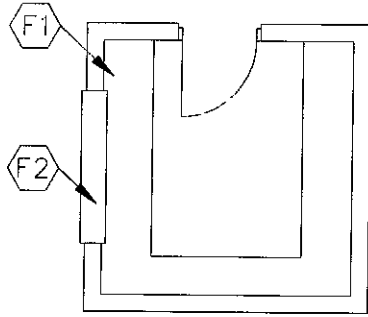
Suspended, acoustical

Walls:

Painted concrete masonry units

NOTES:

1. Electrical: duplex receptacles; single-level switching
2. Technology: data port, video port, voice port & phone; clock



FEATURES: Fixed
Equipment: F1
Base cabinets
F2 Coiling door

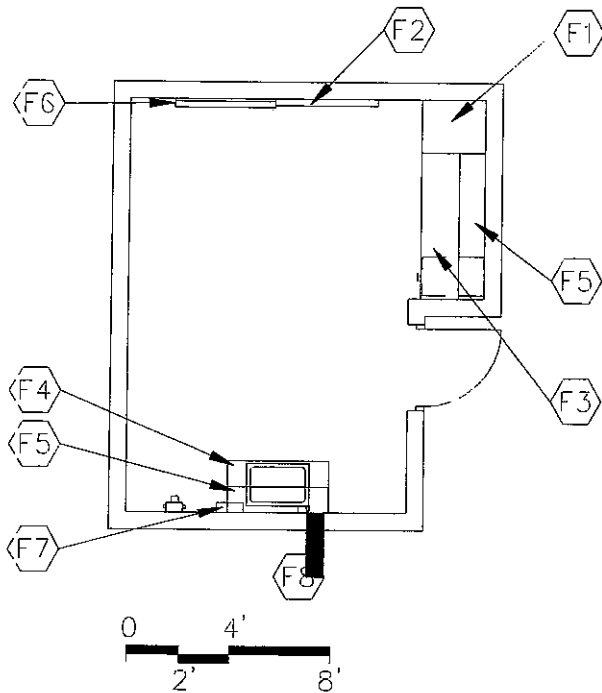
LOOSE FURNISHINGS:
NA

FINISHES:
Flooring:
Resilient

Base:
Resilient base
Ceiling:
Suspended, acoustical
Walls:
Painted concrete masonry units

NOTES:

1. Electrical: duplex receptacles; single-level switching



**FEATURES: Fixed
Equipment: F1**

- F2 Tack board
- F3 Work surface with file drawers
- F4 Sink base cabinet
- F5 Wall cabinets
- F6 Chalk/marker board
- F7 Towel dispenser
- F8 Soap dispenser

LOOSE FURNISHINGS:

- Chairs
- Taping tables
- Wastebasket

FINISHES:

Flooring:
Resilient

Base:

Resilient base

Ceiling:

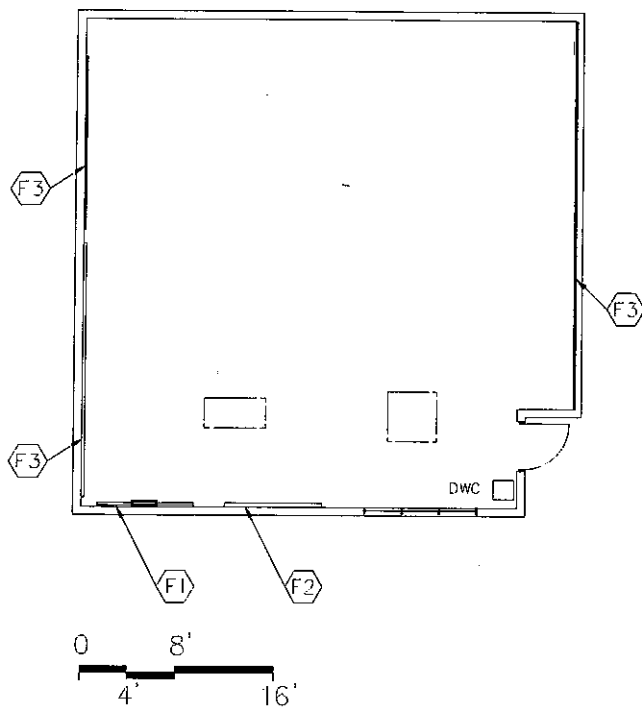
Suspended, acoustical

Walls:

Painted concrete masonry units

NOTES:

1. Electrical: duplex receptacles; single-level switching; electrical power for ice machine and whirlpool
2. Technology: data port near trainer workstation, voice port & phone; clock
3. Plumbing: Sink
4. Miscellaneous: Ice machine and whirlpool

**FEATURES:****Fixed Equipment:**

- F1 Chalk/marker board
- F2 Tack board
- F3 40' of 5' high mirror mounted 12" above floor

LOOSE FURNISHINGS:

- Wastebasket

FINISHES:

Flooring:
Resilient

Base:

Resilient base

Ceiling:

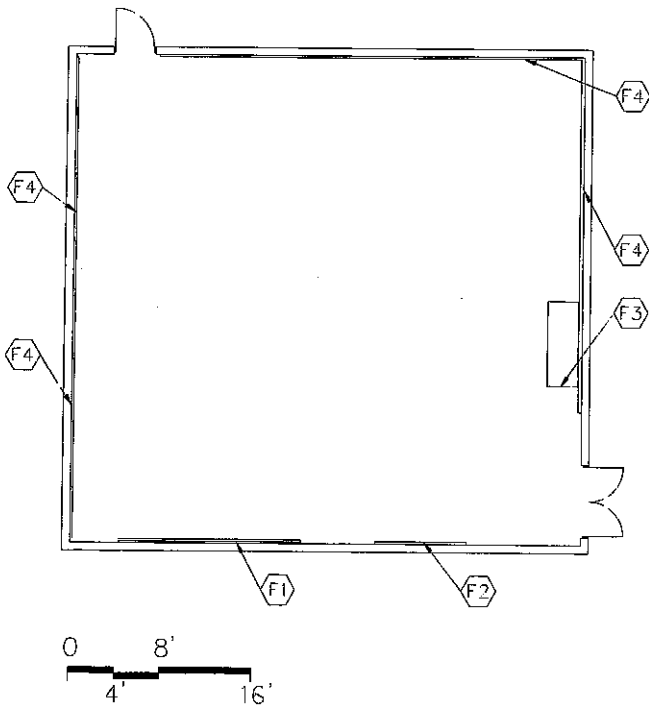
Suspended, acoustical

Walls:

Painted concrete masonry units

NOTES:

1. Electrical: duplex receptacles; multi-level switching
2. Technology: video port and video display device, data port, voice port; clock
3. Plumbing: Drinking water cooler; plumbing connections
4. Miscellaneous: Weight lifting equipment; stationary bikes; treadmills; stairclimbers; digital weight scale



FEATURES:
Fixed Equipment:
 F1 Chalk/marker board
 F2 Tack board
 F3 Mat hoist
 F4 Safety wall wainscot

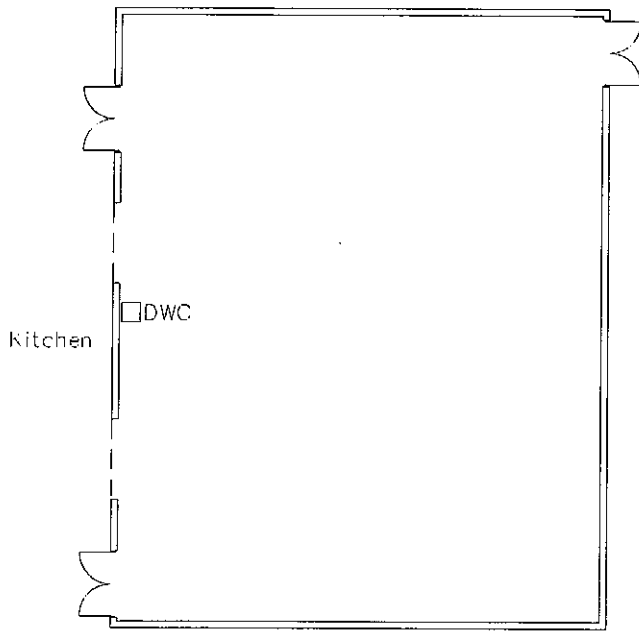
LOOSE FURNISHINGS:
 Wrestling mat

FINISHES:
Flooring:
 Resilient

Base:
 Resilient base
Ceiling:
 Painted, exposed structure
Walls:
 Painted concrete masonry units

NOTES:

1. Electrical: duplex receptacles; multi-level switching
2. Technology: video port, data port, voice port; clock with wire guards



FEATURES:
Fixed Equipment:
NA

LOOSE FURNISHINGS:
Tables
High density stacking chairs
Waste receptacles
Recycling bins
Carts for chairs

FINISHES:

Flooring:
Resilient, porcelain tile, or terrazzo tile

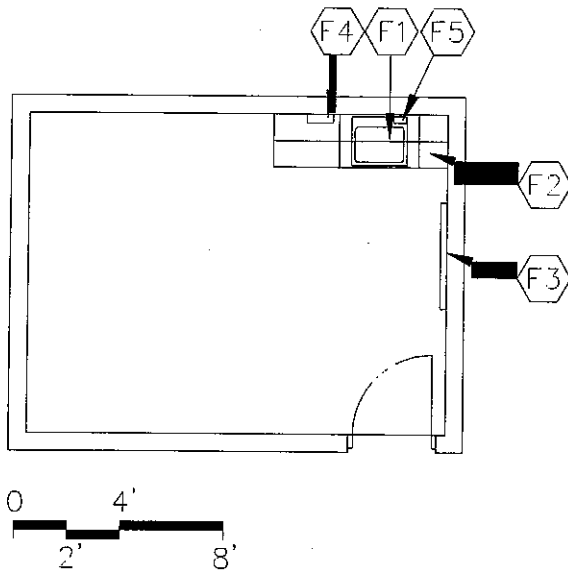
Base:
Resilient, porcelain tile, or terrazzo

Ceiling:
Suspended, acoustical

Walls:
Painted concrete masonry units

NOTES:

1. **Electrical:** duplex receptacles; multi-level switching; telecommunications grounding
2. **Technology:** Clocks; overhead projector; video ports; data ports; voice ports
3. **Plumbing:** Drinking water cooler

**FEATURES:****Fixed Equipment:**

- F1 Sink base cabinet
- F2 Base and wall cabinets
- F3 Tack board
- F4 Towel dispenser
- F5 Soap dispenser

LOOSE FURNISHINGS:

- Tables and chairs
- Refrigerator
- Microwave
- Waste receptacle

FINISHES:**Flooring:**

Resilient, porcelain tile, or terrazzo tile

Base:

Resilient base (option: porcelain tile base)

Ceiling:

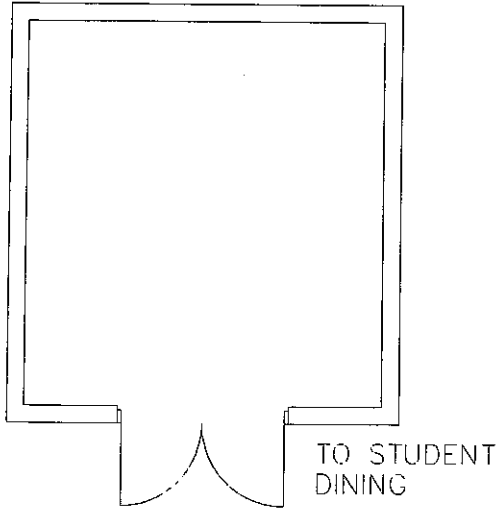
Suspended, acoustical

Walls:

Painted concrete masonry units

NOTES:

1. Electrical: duplex receptacles; single-level switching; receptacles for vending machines, refrigerator, and microwave
2. Technology: video port, voice port and phone; clock
3. Plumbing: Sink
4. Miscellaneous: Vending machines



FEATURES:
Fixed Equipment:
NA

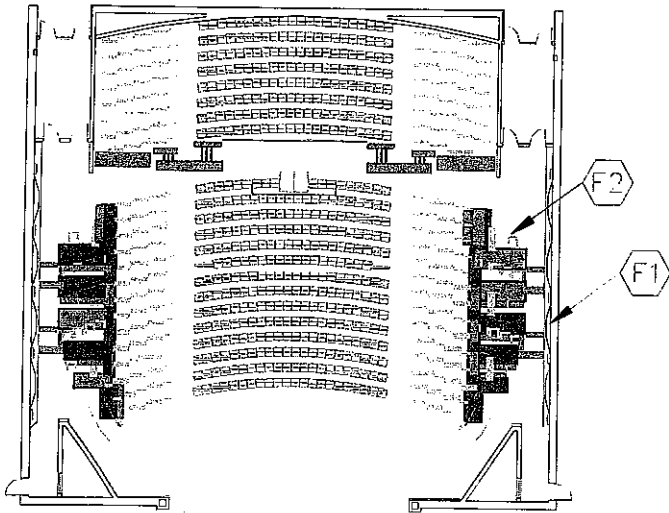
LOOSE FURNISHINGS:
NA

FINISHES:
Flooring:
Sealed concrete

Base:
Resilient base
Ceiling:
Suspended, acoustical or
Exposed, painted structure
Walls:
Painted concrete masonry units

NOTES:

1. Electrical: duplex receptacle; single-level switching



FEATURES:

Fixed Equipment

F1 Acoustical wall treatment

F2 Handicap wheelchair locations

Lighting catwalk

LOOSE FURNISHINGS:

Fixed auditorium seating

FINISHES:

Flooring:

Carpet and sealed concrete

Base:

Resilient base

Ceiling:

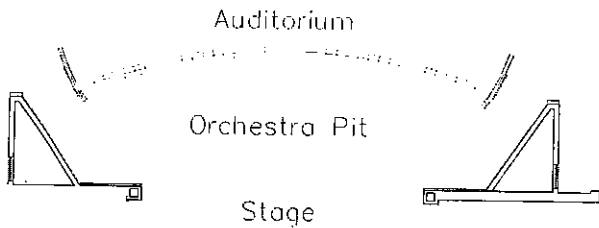
Painted, exposed structure; sound baffles

Walls:

Brick; painted concrete masonry units;
wood trim

NOTES:

1. Electrical: Special theatrical sound and lighting systems



FEATURES:
Fixed Equipment
Cover

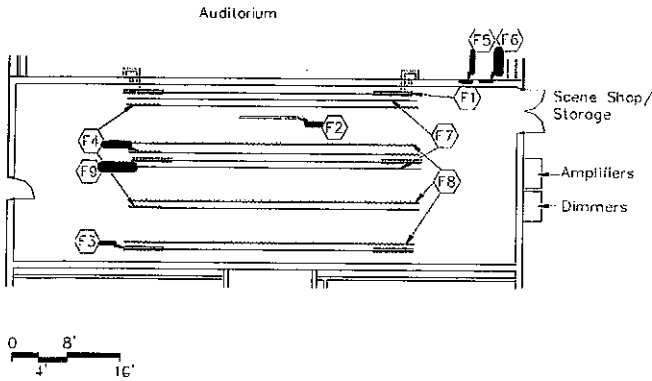
LOOSE FURNISHINGS:
Music stands
Music chairs
Conductor podium

FINISHES:
Flooring:
Resilient

Base:
Resilient base
Ceiling:
Painted, exposed structure
Walls:
Painted concrete masonry units

NOTES:

1. Electrical: Special lighting; adequate receptacles for instruments and lighting
2. Technology: each video, voice, data port, audio output



FEATURES:

Fixed Equipment

- F1 Front curtain, track, and valance or grand border
- F2 Projection screen
- F3 Rear curtain with track
- F4 Leg curtains, tracks, and/or pivots
- F5 Sound control console receptacle
- F6 Lighting control console receptacle
- F7 Light pipe
- F8 Border curtains
- F9 Mid-stage traveler

LOOSE FURNISHINGS:

NA

FINISHES:

Flooring:

- Stage: Softwood
- Thrust: Hardwood

Base:

Ventilated, resilient base

Ceiling:

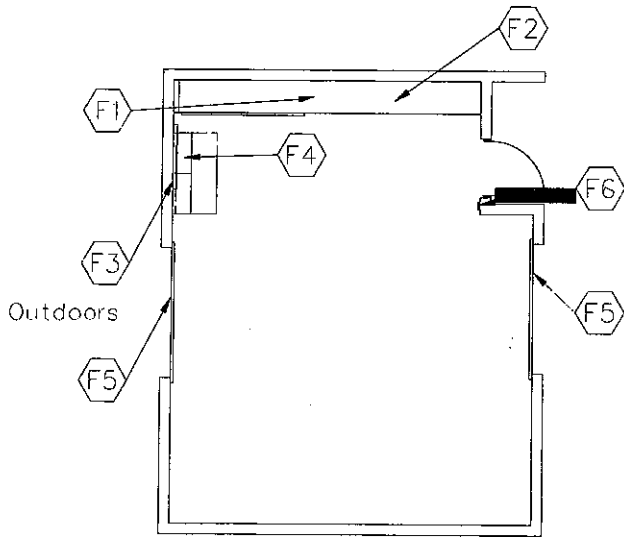
Painted, exposed structure

Walls:

Painted concrete masonry units

NOTES:

1. Electrical: Stage dimming system; theatrical lighting; duplex receptacles; telecommunications grounding
2. Technology: video ports and data ports – 1 on each side of proscenium opening



FEATURES:

- Fixed Equipment
 F1 Tall, lockable storage cabinets
 F2 Tall storage cabinets
 F3 Tack board
 F4 Work bench
 F5 Overhead door
 F6 Pencil sharpener support

LOOSE FURNISHINGS:

- Work tables
 Work bench stools
 Waste receptacle
 Pencil sharpener

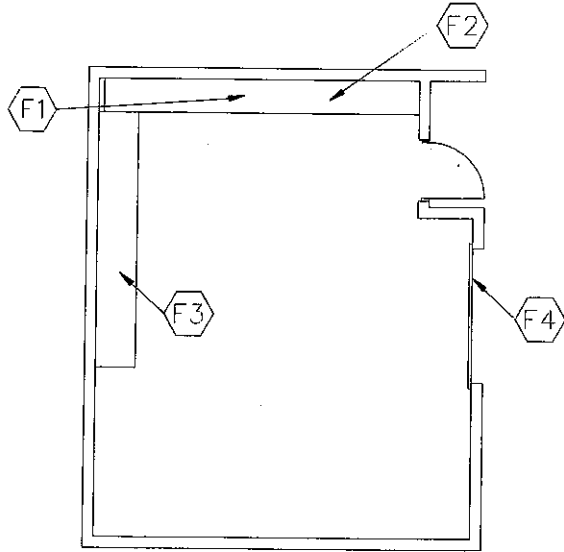
FINISHES:

Flooring:
 Sealed concrete

Base:
 Resilient base
 Ceiling:
 Painted, exposed structure
 Walls:
 Painted concrete masonry units

NOTES:

1. Electrical: duplex receptacles; single-level switching
2. Technology: each video, voice, and data ports; clock



- FEATURES:**
 Fixed Equipment
 F1 Tall, lockable storage cabinets
 F2 Tall storage cabinets
 F3 Base cabinets
 F4 Overhead door

- LOOSE FURNISHINGS:**
 Waste receptacle

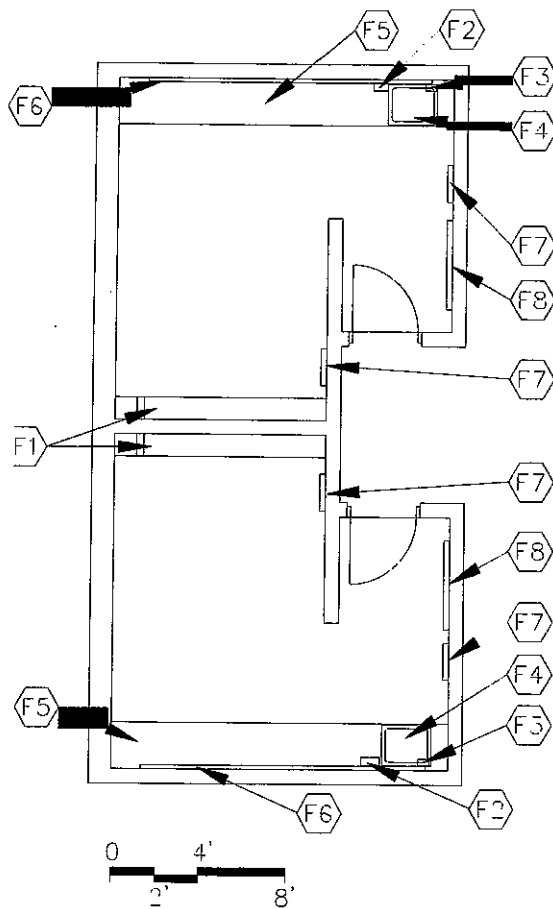
FINISHES:

Flooring:
 Sealed concrete

Base:
 Resilient base
 Ceiling:
 Painted, exposed structure
 Walls:
 Painted concrete masonry units

NOTES:

1. Electrical: duplex receptacles; single-level switching

**FEATURES:****Fixed Equipment**

- F1 108" high costume storage cabinets
- F2 Towel dispenser
- F3 Soap dispenser
- F4 Sink base cabinet
- F5 Work surface
- F6 48" high make-up mirrors -
Full length of work surface
- F7 20" wide x 60" high dressing mirrors
(2 minimum)
- F8 Tack board

LOOSE FURNISHINGS:

- Chairs
- Bench
- Mobile costume rack
- Wastebasket

FINISHES:

Flooring:
Resilient

Base:

Resilient base

Ceiling:

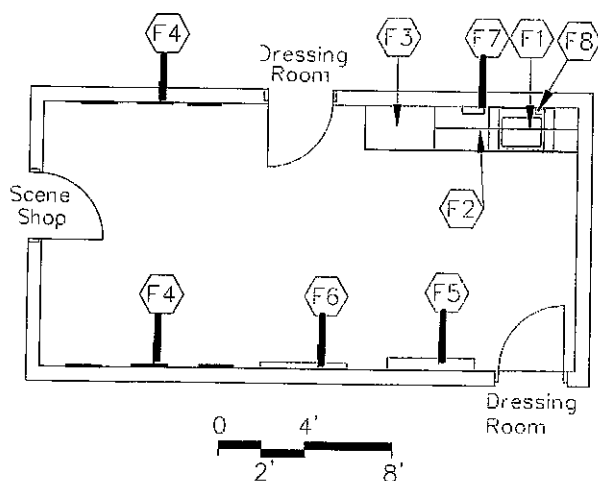
Suspended, acoustical

Walls:

Painted concrete masonry units

NOTES:

1. Electrical: duplex receptacles; duplex receptacle at each make-up station under mirror; incandescent lighting over make-up mirrors; fluorescent lighting overhead; single-level switching; telecommunications grounding
2. Technology: Clock
3. Plumbing: Sink; plumbing connections



FEATURES:

Fixed Equipment:

- F1 Sink base cabinet
- F2 Base cabinets
- F3 Tall storage cabinets
- F4 Mirrors
- F5 Chalk/marker board
- F6 Tack board
- F7 Towel dispenser
- F8 Soap dispenser

LOOSE FURNISHINGS:

- Lounge furniture
- Chairs/stools
- Wastebaskets

FINISHES:

Flooring:
Carpet

Base:

Resilient base

Ceiling:

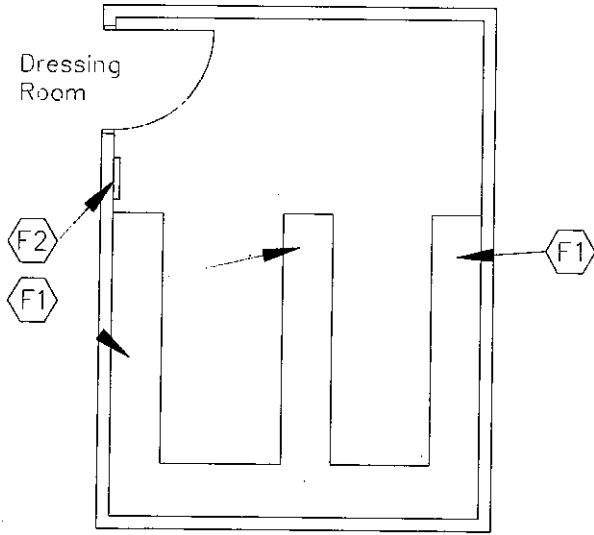
Suspended, acoustical

Walls:

Painted concrete masonry units

NOTES:

1. Electrical: duplex receptacles; multi-level switching
2. Plumbing: Sink; drinking fountain
3. Technology: video ports and monitors; voice port and phone



FEATURES:

Fixed Equipment:

- F1 High costume storage cabinets
- F2 Mirror

LOOSE FURNISHINGS:

NA

FINISHES:

Flooring:

Resilient

Base:

Resilient base

Ceiling:

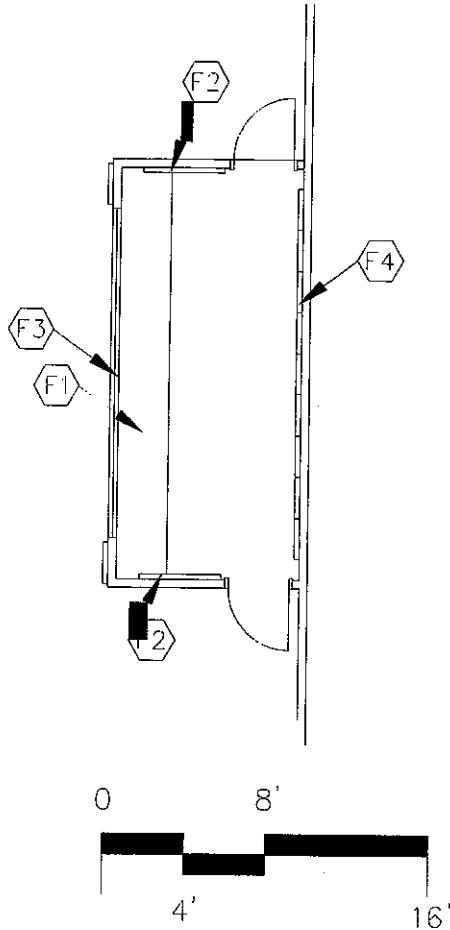
Suspended, acoustical

Walls:

Painted concrete masonry units

NOTES:

1. Electrical: duplex receptacle; single-level switching



FEATURES:

- Fixed Equipment**
 F1 Equipment/work surface
 F2 Tack board
 F3 Operable windows
 F4 Acoustical wall treatment

LOOSE FURNISHINGS:

- Chairs
 Wastebasket

FINISHES:

Flooring:
 Resilient

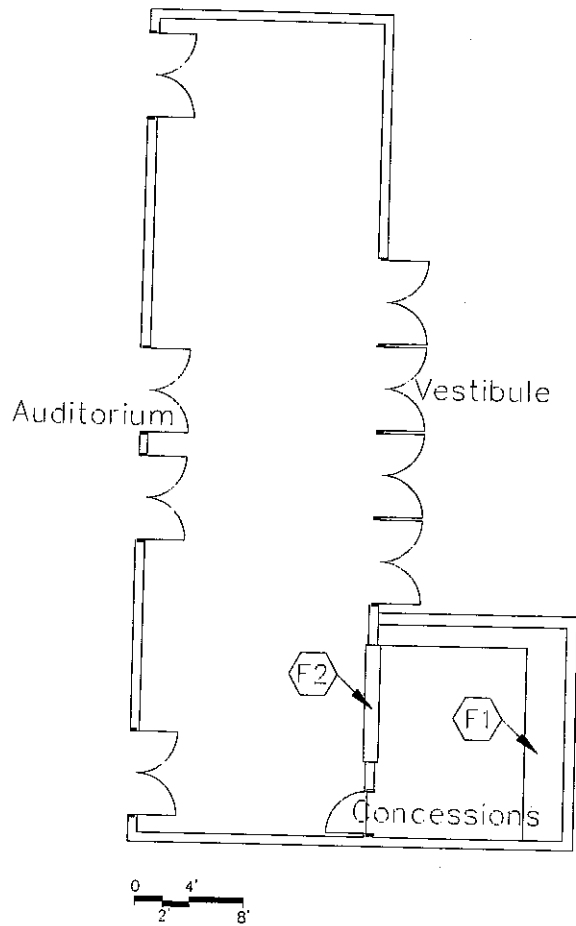
Base:
 Resilient base

Ceiling:
 Suspended, acoustical

Walls:
 Painted gypsum wallboard
 Acoustical wall treatment

NOTES:

1. Electrical: duplex receptacles; dimmable incandescent task lighting on work surface; fluorescent lighting overhead; single-level switching; telecommunications grounding; auditorium lighting wired through stage dimmer panel; provisions for hard-wired equipment; empty communications conduit with pull cable from stage for future video projection control; stage dimming system control panel
2. Technology: Clock; voice port and phone; video port, data ports



FEATURES: Fixed
Equipment: F1
Base cabinet
F2 Coiling door

LOOSE FURNISHINGS:
NA

FINISHES:

Flooring:

Porcelain tile or terrazzo

Base:

Porcelain tile or terrazzo base

Ceiling:

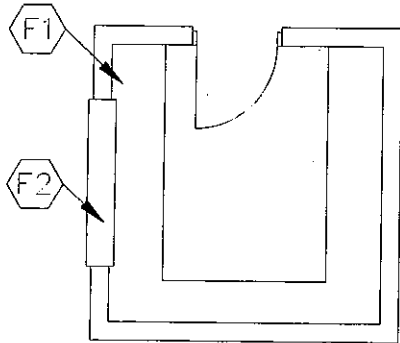
Suspended, acoustical

Walls:

Ceramic tile, brick, painted concrete masonry units, acoustical wall treatment

NOTES:

1. Electrical: duplex receptacles; multi-level switching; accent lighting; receptacles for concession equipment



FEATURES:
Fixed Equipment
F1 Base cabinets
F2 Coiling door

LOOSE FURNISHINGS:
Waste basket

FINISHES:

Flooring:
Resilient

Base:

Resilient base

Ceiling:

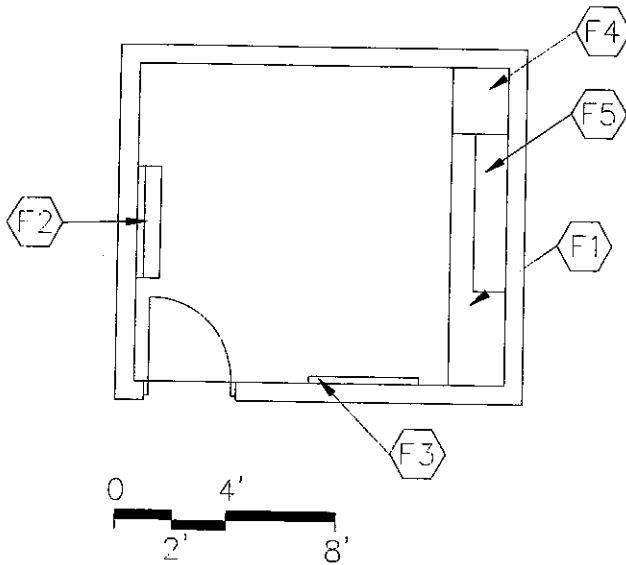
Suspended, acoustical

Walls:

Painted concrete masonry units

NOTES:

1. Electrical: duplex receptacles; single-level switching



FEATURES:

Fixed Equipment:

- F1 Work surface with file drawers
- F2 Chalk/marker board
- F3 Tack board
- F4 Tall wardrobe
- F5 Wall cabinets

LOOSE FURNISHINGS:

- Desk and chair
- Computer desk return
- Visitor chairs
- Wastebasket(s)

FINISHES:

Flooring:
Carpet

Base:

Resilient base

Ceiling:

Suspended, acoustical

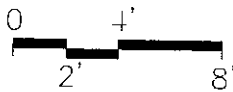
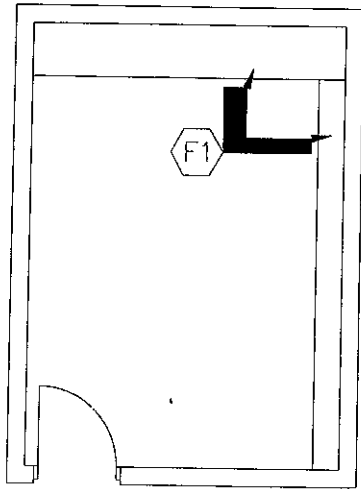
Walls:

Painted gypsum wallboard
over metal studs or

Painted concrete masonry units

NOTES:

1. Electrical: duplex receptacles; single-level switching
2. Technology: each data port, video port, voice port & phone; clock



FEATURES:
Fixed Equipment:
F1 Open metal shelving

LOOSE FURNISHINGS:
N/A

FINISHES:
Flooring:
Sealed concrete

Base:
Resilient base
Ceiling:
Suspended, acoustical or
Exposed, painted structure
Walls:
Painted concrete masonry units

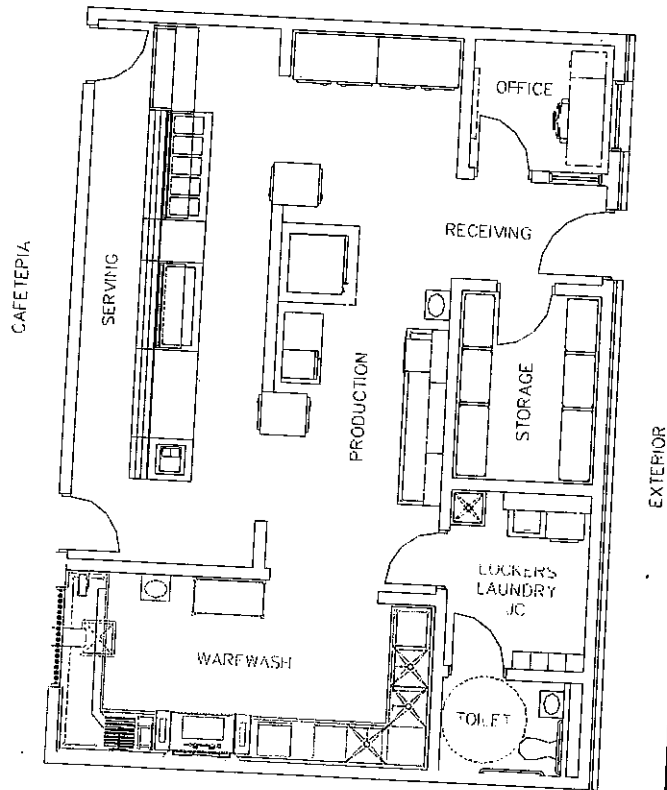
NOTES:

1. Electrical: duplex receptacle; single-level switching

This space consists of various areas:

- Production Area
- Serving Area
- Warewash
- Storage
- Receiving

Additional areas to be added: office, restroom,
locker room, janitorial closet



FEATURES:

- Fixed Equipment
- Food Service Equipment

LOOSE FURNISHINGS:

NA

NOTE:

Kitchen area must be located adjacent to exterior loading dock area to receive transported food from central kitchen.

FINISHES:

Flooring:

Quarry Tile

Base:

Quarry tile base

Ceiling:

Cleanable, suspended, acoustical

Walls:

Epoxy-painted concrete masonry units

NOTES:

1. Electrical: Dual level switching; duplex receptacles; connections to food service equipment
2. Technology: each voice port and phone, data port at cash register; clock
3. Plumbing: Hand washing lavatory; plumbing and gas connections; connections to food service equipment; floor drains
4. HVAC: Kitchen canopy exhaust system

This space consists of various areas:

- Production Area
- Serving Area
- Warewash
- Storage
- Receiving

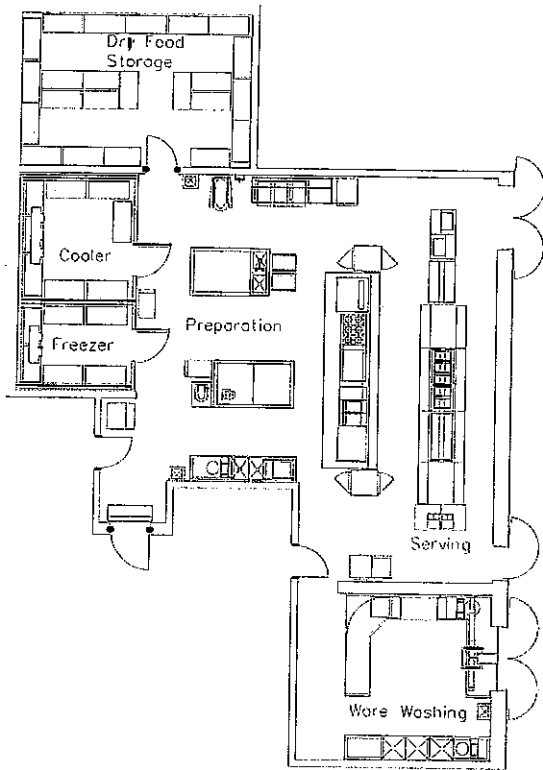
A space plate follows for each of these spaces.
Additional areas to be added: office, restroom,
locker room, janitorial closet

FEATURES:

- Fixed Equipment
- Food Service Equipment

LOOSE FURNISHINGS:

NA



FINISHES:

Flooring:
Quarry Tile

Base:

Quarry tile base

Ceiling:

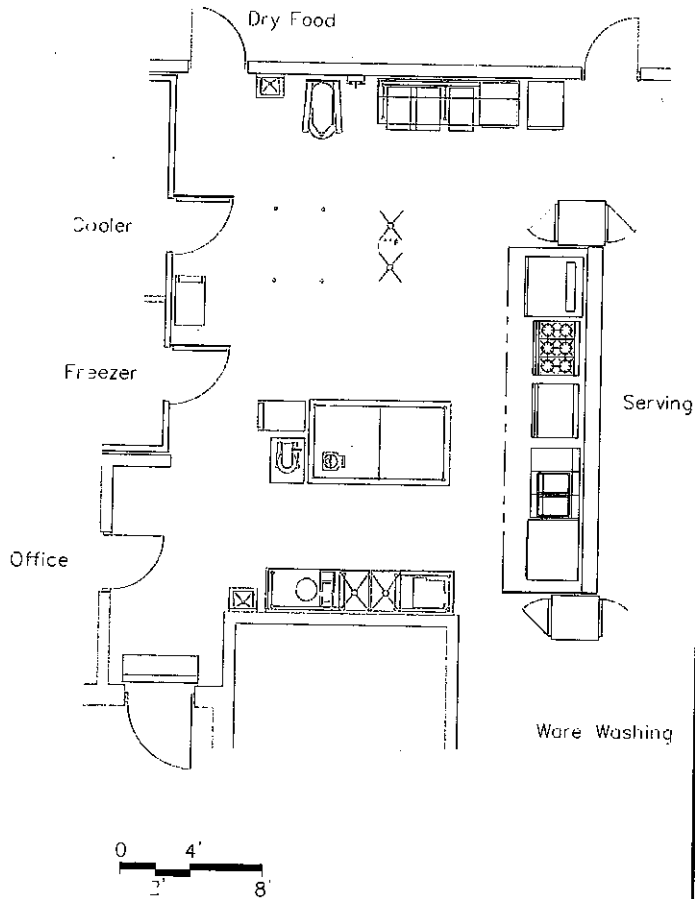
Cleanable, suspended, acoustical

Walls:

Epoxy-painted concrete masonry units

NOTES:

1. Electrical: Dual level switching; duplex receptacles; connections to food service equipment
2. Technology: each voice port and phone, data port at cash register; clock
3. Plumbing: Hand washing lavatory; plumbing and gas connections; connections to food service equipment; floor drains
4. HVAC: Kitchen canopy exhaust system



FEATURES:
Fixed Equipment:
Food service equipment

LOOSE FURNISHINGS:
NA

FINISHES:

Flooring:
Quarry Tile

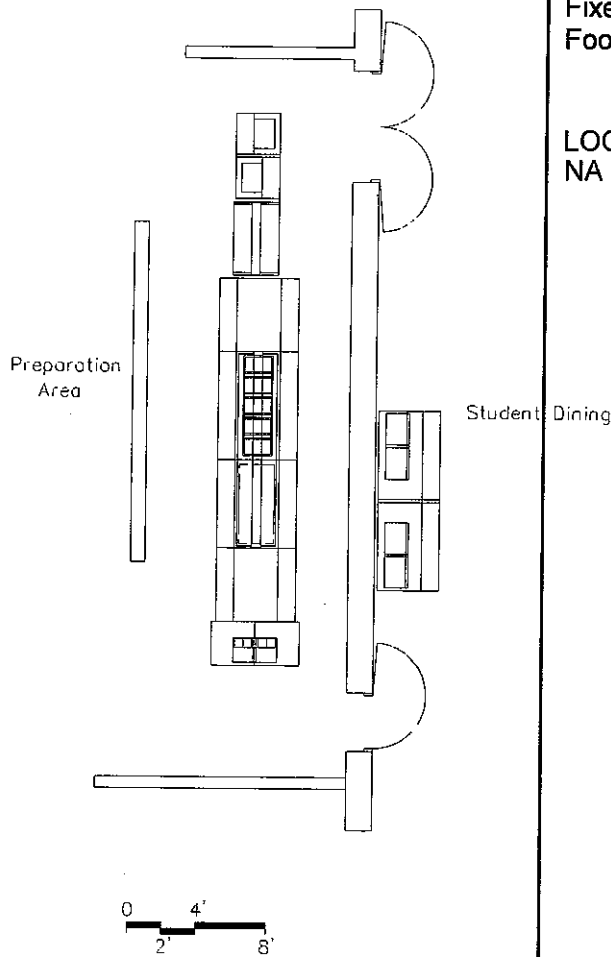
Base:
Quarry tile base

Ceiling:
Cleanable, suspendable, acoustical

Walls:
Epoxy-painted concrete masonry units

NOTES:

1. Electrical: duplex receptacles; dual-level switching; connections to food service equipment
2. Technology: Voice port & phone; clock
3. Plumbing: Plumbing and gas connections; hand washing lavatory; floor drains



FEATURES:
Fixed Equipment:
Food service equipment

LOOSE FURNISHINGS:
NA

FINISHES:

Flooring:
Quarry Tile (optional: porcelain tile)

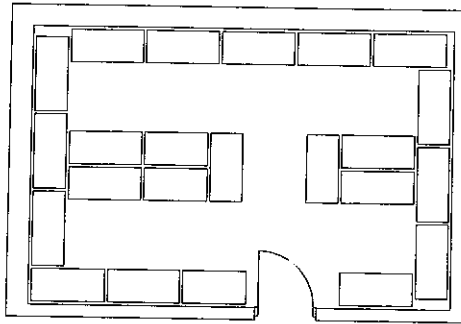
Base:
Quarry tile base (optional: PT)
Ceiling:
Cleanable, suspendable, acoustical
Walls:
Epoxy-painted concrete masonry units

NOTES:

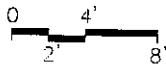
1. Electrical: duplex receptacles; dual-level switching; connections to food service equipment
2. Technology: Voice port & phone; clock; data port at cash register
3. Plumbing: Connections to food service equipment

FEATURES:
Fixed Equipment:
Food service equipment

LOOSE FURNISHINGS:
NA



Preparation Area



FINISHES:
Flooring:
Sealed concrete

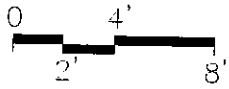
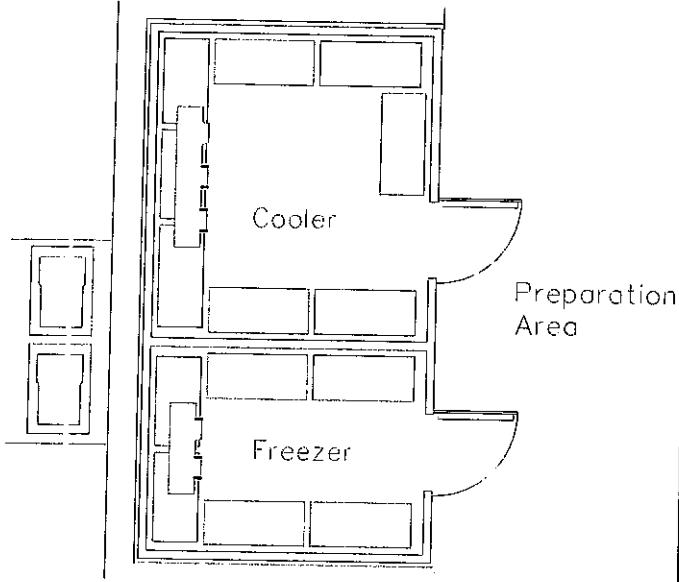
Base:
Resilient base
Ceiling:
Cleanable, suspendable, acoustical
Walls:
Epoxy-painted concrete masonry units

NOTES:

1. Electrical: duplex receptacle; single-level switching

FEATURES:
Fixed Equipment:
Food service equipment

LOOSE FURNISHINGS:
NA

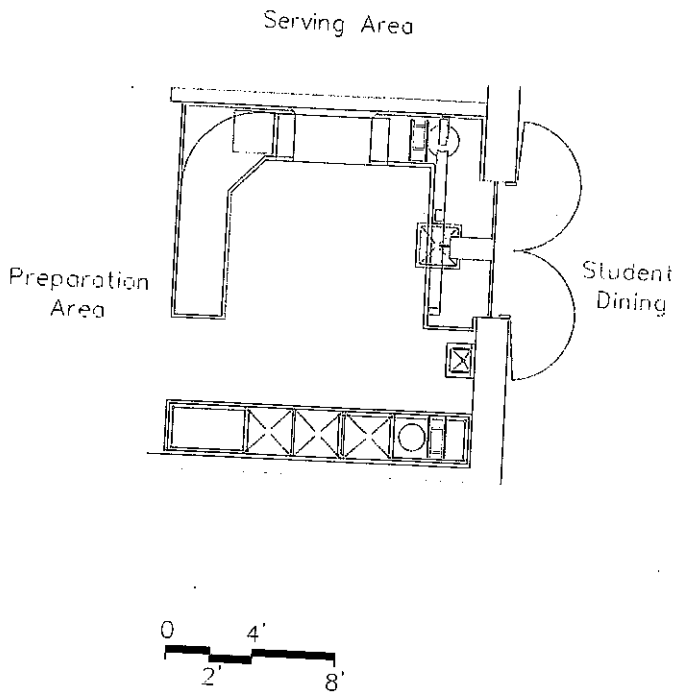


FINISHES:
Flooring:
Quarry Tile

Base:
Quarry tile base
Ceiling:
Manufactured insulated panel
Walls:
Manufactured insulated panel

NOTES:

1. Electrical: Single-level switching; electrical connections to freezer/cooler refrigeration equipment



FEATURES:
Fixed Equipment:
Food service equipment

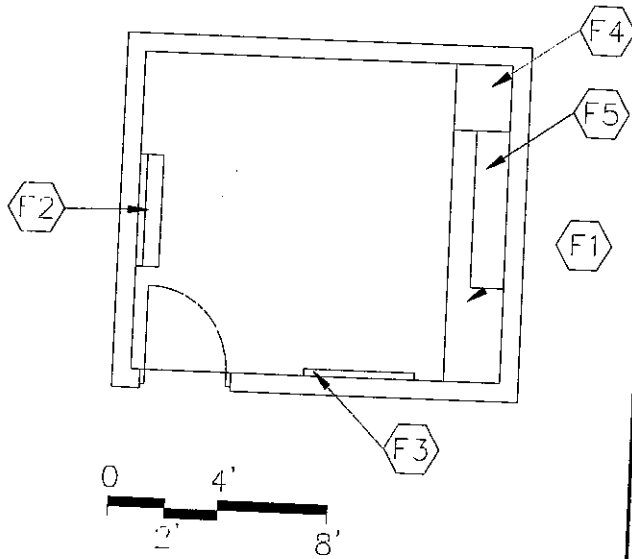
LOOSE FURNISHINGS:
NA

FINISHES:
Flooring:
Quarry Tile

Base:
Quarry tile base
Ceiling:
Cleanable, suspendable, acoustical
Walls:
Epoxy-painted concrete masonry units

NOTES:

1. Electrical: duplex receptacle; dual-level switching; connections to food service equipment
2. HVAC: Exhaust hood system
3. Plumbing: Lavatory



- FEATURES:**
Fixed Equipment:
F1 Work surface with file drawers
F2 Chalk/marker board
F3 Tack board
F4 Tall wardrobe
F5 Wall cabinets

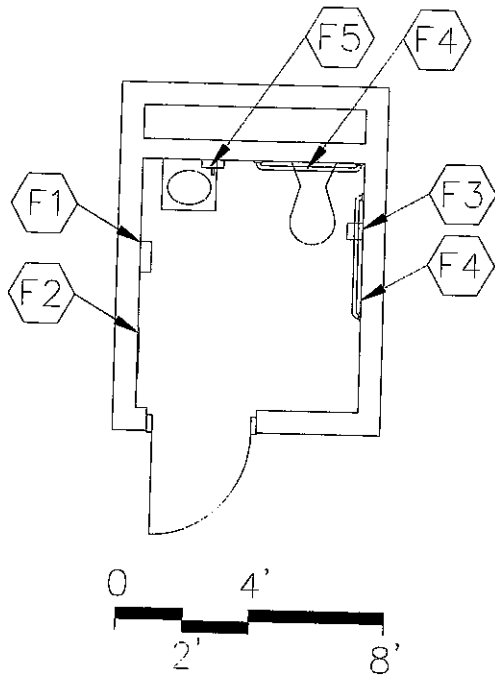
- LOOSE FURNISHINGS:**
Desk and chair
Computer desk return
Visitor chairs
Wastebasket

FINISHES:
Flooring:
Resilient

Base:
Resilient base
Ceiling:
Suspended, acoustical
Walls:
Painted concrete masonry units

NOTES:

1. Electrical: duplex receptacles; single-level switching
2. Technology: each data port, video port, voice port & phone; clock



FEATURES:

Fixed Equipment:

- F1 Towel dispenser
- F2 24" x 60" mirror
- F3 Toilet tissue holder
- F4 36" and 42" grab bar
- F5 Soap dispenser

LOOSE FURNISHINGS:

Wastebasket

FINISHES:

Flooring:

Resilient

Optional: ceramic mosaic tile, porcelain tile, or terrazzo

Base:

Resilient base (optional: CMT, PT, or TER)

Ceiling:

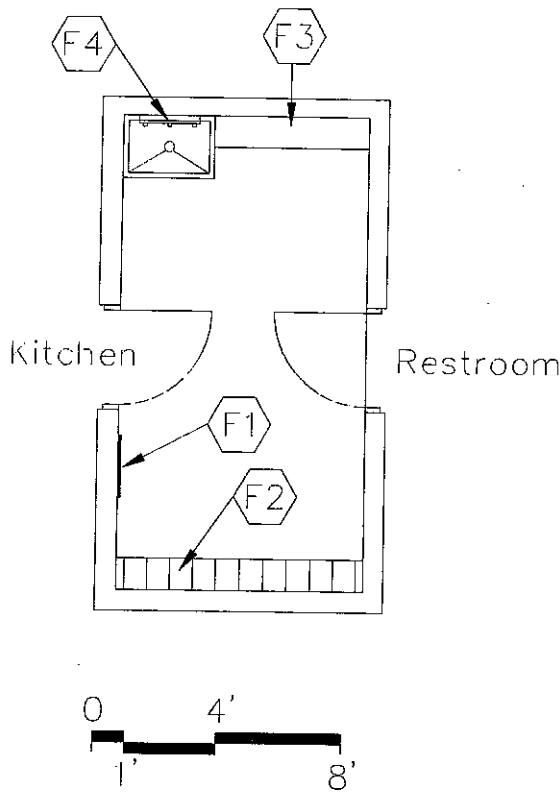
Suspended, acoustical

Walls:

Painted concrete masonry units

NOTES:

1. Plumbing: water closet and lavatory
2. Electrical: Single-level switching; duplex receptacle



FEATURES:

Fixed Equipment:

- F1 24" x 60" mirror
- F2 Lockers
- F3 Wall cabinets
- F4 Mop holder

LOOSE FURNISHINGS:

- Chairs
- Washer
- Dryer
- Wastebasket

FINISHES:

Flooring:
Resilient

Base:

Resilient base

Ceiling:

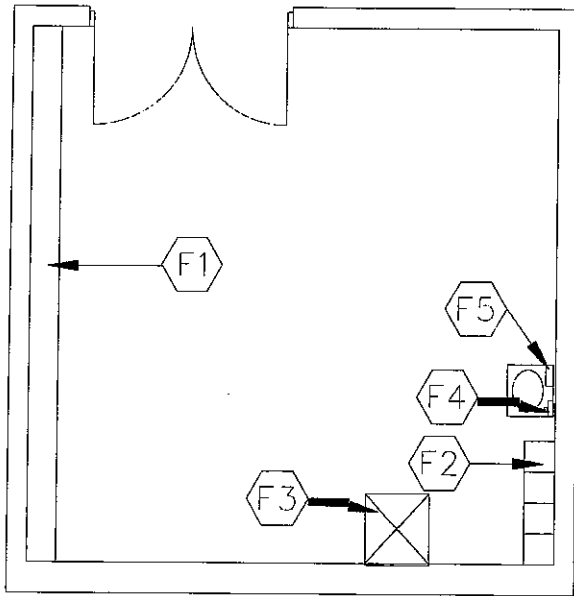
Suspended, acoustical, with high-impact, hold-down clips (option: exposed, painted pre-cast units)

Walls:

Painted concrete masonry units

NOTES:

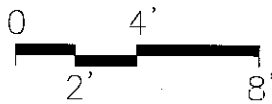
1. Plumbing: Floor service sink; floor drain
2. Electrical: Single-level switching; duplex receptacle
3. HVAC: Dryer vent system; exhaust air system
4. Technology: Clock



- F1 Metal shelving
- F2 Lockers
- F3 Mop holder
- F4 Soap dispenser
- F5 Towel dispenser

LOOSE FURNISHINGS:

- Workbench
- Stool
- Recycling bins
- Waste receptacles



FINISHES:

Flooring:
Sealed concrete

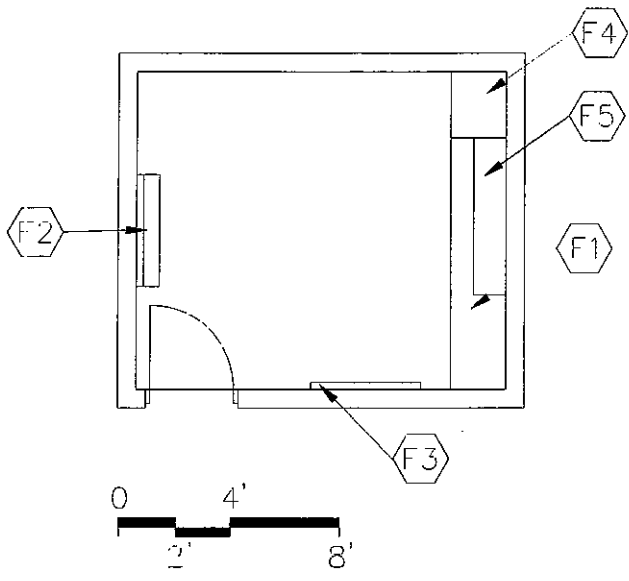
Base:
Resilient base

Ceiling:
Suspended, acoustical or painted structure

Walls:
Painted concrete masonry units

NOTES:

1. Electrical: duplex receptacle; single-level switching; electrical receptacles for custodial equipment
2. Plumbing: Floor service sink; handwash sink
3. Technology: Voice port and phone; clock



FEATURES:

Fixed Equipment:

- F1 Work surface with file drawers
- F2 Chalk/marker board
- F3 Tack board
- F4 Tall wardrobe
- F5 Wall cabinets

LOOSE FURNISHINGS:

- Desk and chair
- Computer desk return
- Visitor chairs
- Wastebasket

FINISHES:

Flooring:
Resilient

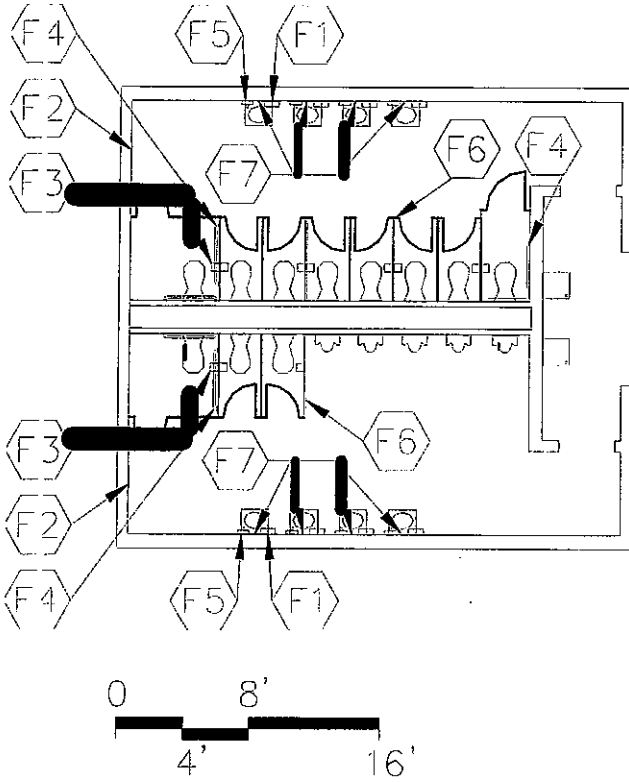
Base:
Resilient base

Ceiling:
Suspended, acoustical

Walls:
Painted concrete masonry units

NOTES:

1. Electrical: duplex receptacles; single-level switching
2. Technology: each data port, voice port & phone; clock; modem port for temperature controls computer



FEATURES:

Fixed Equipment:

- F1 Towel dispenser
- F2 24" x 60" mirror
- F3 Toilet tissue holder
- F4 36" and 42" grab bar
- F5 Soap dispenser
- F6 Toilet partitions
- F7 16" x 24" mirrors

LOOSE FURNISHINGS:

- Waste receptacles

FINISHES:

Flooring:

- Ceramic mosaic tile
- Optional: porcelain tile or terrazzo tile

Base:

- Ceramic mosaic tile base
- Optional: Structural glazed tile base or porcelain tile base

Ceiling:

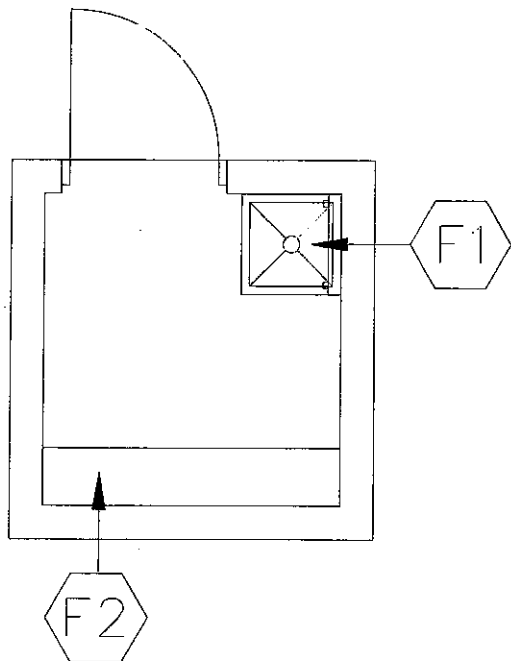
- Suspended, acoustical
- Option: Abuse-resistant gypsum wallboard

Walls:

- Painted concrete masonry units

NOTES:

1. Plumbing: water closets, urinals, lavatories, and hydrants; water coolers; floor drains
2. Electrical: Single-level switching; duplex receptacle



FEATURES:
 Fixed Equipment:
 F1 Mop holder
 F2 Wall cabinets

LOOSE FURNISHINGS:
 NA

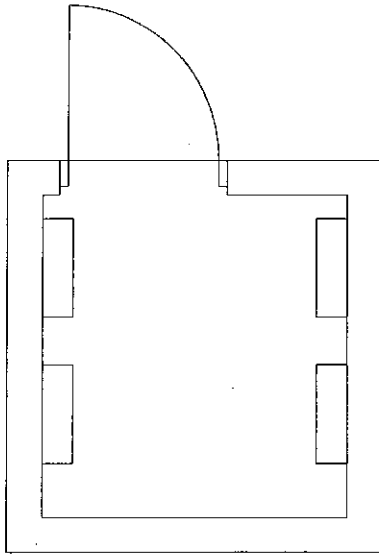
FINISHES:

Flooring:
 Sealed concrete

Base:
 Resilient base
 Ceiling:
 Painted structure
 Walls:
 Painted concrete masonry units

NOTES:

1. Electrical: duplex receptacle; single-level switching
2. Plumbing: Service sink and floor drain sink



FEATURES:
Fixed Equipment:
NA

LOOSE FURNISHINGS:
NA

FINISHES:

Flooring:
Sealed concrete

Base:
Resilient base
Ceiling:
Exposed, painted structure
Walls:
Painted concrete masonry units

NOTES:

1. Electrical: duplex receptacle; single-level switching; electrical switchgear

Corridors shall be a minimum of 8 feet wide.

Corridors are to meet the egress requirements applicable codes.

Instructional and activity areas shall be accessible by corridors without passing through another instructional or activity area.

Area of vestibules is to be included within area allotted for corridors.

Width of vestibules can be no less than minimum width of adjacent corridor.

Minimum corridor length recommended is 8 feet between doors.

Vestibules are to be provided at major entrances/exits.

FEATURES:

Fixed Equipment:

Fire extinguishers and cabinets

Recessed vinyl floor mats or surface mats

LOOSE FURNISHINGS:

Recycling bins and waste receptacles

FINISHES:

Flooring:

Resilient, porcelain tile, or terrazzo

NOTE: At entries adjacent to dining/commons area, match dining/commons flooring.

Base:

Resilient base (option: structural glazed tile)

Ceiling:

Suspended, acoustical

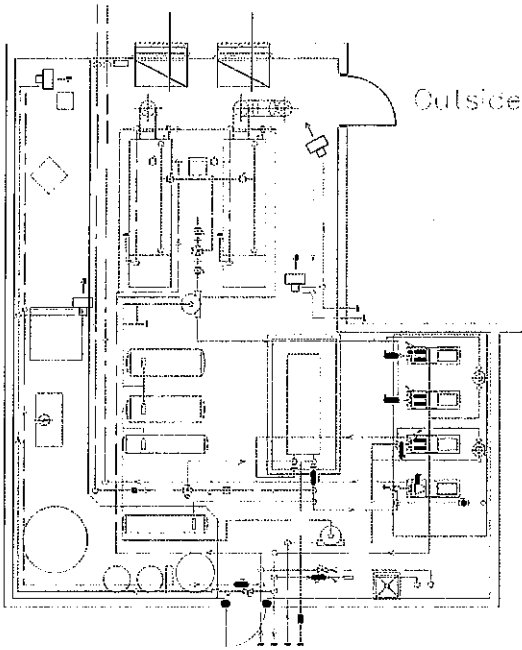
Option in vestibules: abuse-resistant gypsum wallboard

Walls:

Painted concrete masonry units

NOTES:

1. Electrical: Duplex receptacles; dual-level switching
2. Technology: Clocks, wireless access points; video ports
3. Plumbing: Drinking water coolers
4. Miscellaneous: Display cases



FEATURES:
Fixed Equipment:
To be determined by Design Professional

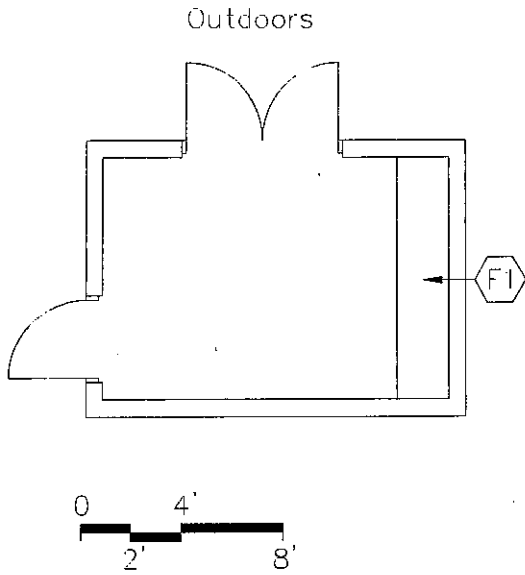
LOOSE FURNISHINGS:
NA

FINISHES:
Flooring:
Sealed concrete

Base:
Resilient base
Ceiling:
Exposed, painted structure
Walls:
Painted concrete masonry units
(option: can use metal panel on CMU or metal panel on metal framing wall system for penthouse)

NOTES:

1. Electrical: Dual-level switching; to be determined by Design Professional
2. Plumbing: To be determined by Design Professional



FEATURES:
Fixed Equipment:
F1 Open metal shelving

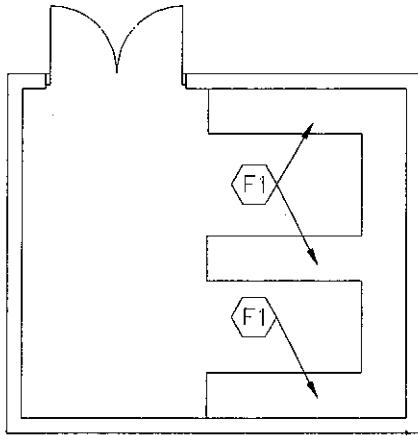
LOOSE FURNISHINGS:
NA

FINISHES:
Flooring:
Sealed concrete

Base:
Resilient base
Ceiling:
Exposed, painted structure
Walls:
Painted concrete masonry units

NOTES:

1. Electrical: Single-level switching; duplex receptacles



FEATURES:
Fixed Equipment:
F1 Open metal shelving

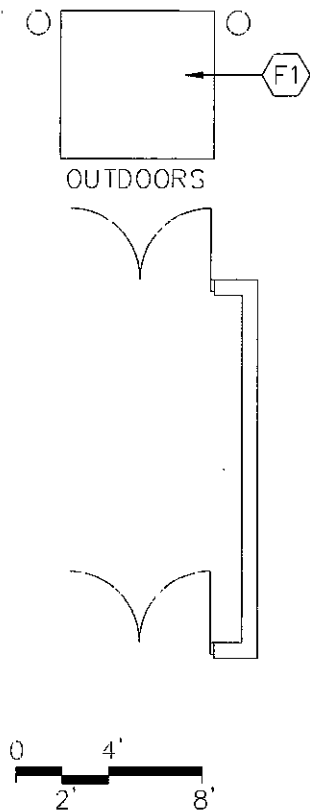
LOOSE FURNISHINGS:
NA

FINISHES:
Flooring:
Sealed concrete

Base:
Resilient base
Ceiling:
Exposed, painted structure
Walls:
Painted concrete masonry units

NOTES:

1. Electrical: Single-level switching; duplex receptacles



FEATURES:
Fixed Equipment:
F1 Loading dock leveler and dock bumpers

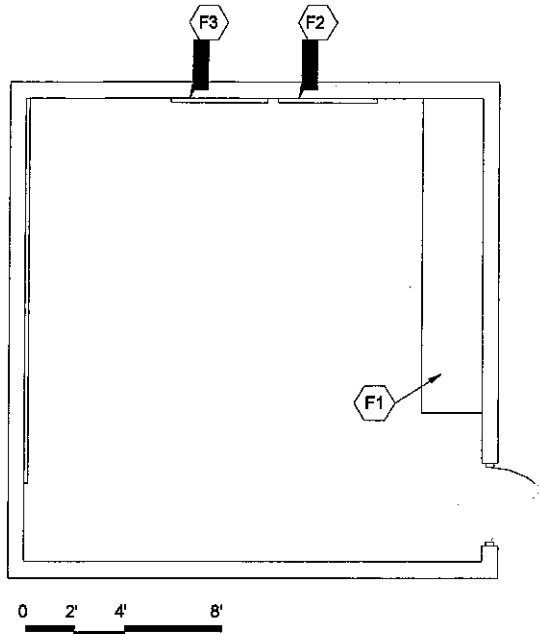
LOOSE FURNISHINGS:
NA

FINISHES:
Flooring:
Sealed concrete

Base:
Resilient base
Ceiling:
Painted, exposed structure
Walls:
Painted concrete masonry units

NOTES:

1. Electrical: Single-level switching; duplex receptacles



FEATURES:
Fixed Equipment:
F1 Open metal shelving
F2 Tack board
F3 Chalk/marker board

LOOSE FURNISHINGS:
Desk and chair
Wastebasket

FINISHES:
Flooring:
Resilient

Base:
Resilient base
Ceiling:
Suspended, acoustical
Walls:
Painted concrete masonry units

NOTES:

1. Electrical: duplex receptacles; single-level switching; telecommunications grounding
2. Technology: each data port, voice port & phone; technology equipment; plywood backboard
3. Miscellaneous: Provide distribution equipment with an equipment electrical ground.

Program Description:

Program provides instruction in planning, organizing, directing, and controlling the functions of an agricultural business.

FEATURES:**Fixed Equipment:**

Tall wardrobe w/file drawers
Chalk/marker board
Tack board
Pencil sharpener support
Sink base cabinet
Towel dispenser
Base cabinets
Tall storage cabinets
Soap dispenser

LOOSE FURNISHINGS:

Student chairs
Work tables
Computer workstation furniture
Teacher workstation/computer support and chair
File cabinet
Wastebasket
Pencil sharpener
Media cart

FINISHES:**Flooring:**

Carpet
Optional: Resilient

Base:

Resilient base

Ceiling:

Suspended, acoustical

Walls:

Painted concrete masonry units

NOTES:

1. Electrical: duplex receptacles; multi-level switching; fluorescent lighting-parabolic lenses
2. Technology: each video port, data port, voice port & phone; classroom area network (26 ports minimum); clock; LCD projector; digital camera; scanner; television; VCR/DVD player
3. Plumbing: Sink
4. Miscellaneous: Classroom area network file server; laser printer

Program Description:

Programs provide instruction in the operations or processes concerned with the selection, operation, maintenance, and use of agricultural power, agricultural machinery and equipment, structures, utilities, soil, and water management.

FEATURES: Fixed
 Equipment
 Chalk/marker board
 Tack board
 Tall storage cabinets
 Pencil sharpener support
 Paper towel dispensers
 Soap dispensers
 12'x14' motorized overhead sectional door to exterior
 Steel bollards at overhead door, both sides
 3'x7' hollow metal mandoor to exterior

LOOSE FURNISHINGS:

Workbenches with heavy-duty metal tops
 Stools or chairs
 Welding tables
 Wastebasket
 Pencil sharpener
 Various instructional equipment

FINISHES:

Flooring:
 Sealed concrete

Base:
 Resilient base
Ceiling:
 Painted, exposed structure
Walls:
 Painted concrete masonry units

NOTES:

1. Electrical: duplex receptacles; multi-level switching; 220-volt receptacles
2. Technology: video port and video display device; voice port and phone; data ports; clock
3. Plumbing: each washfountains, utility sinks, hose bibs; safety eyewash/shower; compressed air connections; floor drains; trench drain
4. HVAC: welding hood and exhaust; vehicle exhaust system

Program Description:

Program provides hands-on skill learning of using various pieces of agricultural equipment

FEATURES:

Fixed Equipment
NA

LOOSE FURNISHINGS:

Mobile tools cart

FINISHES:

Flooring:
Concrete

Base:
NA
Ceiling:
Exposed structure
Walls:
NA

NOTES:

1. Electrical: duplex receptacles

Program Description:

Program provides instruction in the principles and practices of producing, caring for, and marketing domesticated non-food animals. Examples of careers in this program include veterinary technicians, zoo keepers, kennel managers, grooming specialists, pet sales associates, and animal laboratory technicians.

FEATURES:

Fixed Equipment
NA

LOOSE FURNISHINGS:

Mobile material cart

FINISHES:

Flooring:

Concrete

Base:

NA

Ceiling:

NA

Walls:

NA

NOTES:

1. Electrical: duplex receptacles

Program Description:

Program provides instruction on the development and caring of ornamental plants and vegetable crops. Examples of careers in this program include floral design, landscape design, turfgrass management, and garden and nursery product sales.

FEATURES:

Fixed tables and benches
Chalk/marker board
Tack board
Tall storage cabinets
Paper towel dispensers
Soap dispensers
3'x7' hollow metal mandoor to exterior

LOOSE FURNISHINGS:

Work tables with heavy-duty tops
Stools or chairs
Various instructional materials

FINISHES:

Flooring:

½ Sealed concrete with drains
½ Earth floor

Base:

NA

Ceiling:

Glass structure – natural ventilation

Walls:

Glass and painted concrete masonry

NOTES:

1. Electrical: duplex receptacles; multi-level switching
2. Technology: voice port and phone; video port and video display device; data ports; clock;
3. Plumbing: washfountain; utility sinks, floor drains; trench drain; hose bibs
4. HVAC: Independent ventilation system

Program Description:

Program provides instruction on the development and caring of ornamental plants and vegetables from seed. Experience in the care and nurturing of plants in the exterior dormant season.

FEATURES: Fixed Equipment: Tables and benches Soap dispenser Towel dispenser

LOOSE FURNISHINGS: Work tables with heavy-duty tops

FINISHES:

Flooring:

Sealed concrete with drains

Base:

NA

Ceiling:

Glass structure – natural ventilation

Walls:

Glass and painted concrete masonry units

NOTES:

1. Electrical: duplex receptacles; outlets for "gro" lamps
2. Plumbing: Washfountain and utility sink; floor drains; hosebibbs
3. HVAC: Independent heating and ventilation system

Program Description:

Program provides instruction on the development and caring of plants that prefer shade areas and do not flourish in full sun.

FEATURES:

Fixed Equipment:
NA

LOOSE FURNISHINGS:

Work tables
Stools

FINISHES:

Flooring:
Sealed concrete

Base:
NA
Ceiling:
Painted
Walls:
Painted

NOTES:

1. Electrical: duplex receptacles
2. Plumbing: Hose bibb; floor drain

Program Description:

Program provides instruction on plants that live in water.

FEATURES:

Fixed Equipment:
NA

LOOSE FURNISHINGS:

Work tables
Stools

FINISHES:

Flooring:

Sealed concrete

Base:

Resilient base

Ceiling:

Painted, exposed structure

Walls:

Painted concrete masonry units

NOTES:

1. Electrical: duplex receptacles
2. Plumbing: utility sink, hose bibs, floor drain, washfountain

Program Description:

Program provides instruction in the principles and practices of conserving, improving, and productively managing natural resources, especially water.

FEATURES: Fixed
 Equipment
 Chalk/marker board
 Tack board
 Tall storage cabinets
 Pencil sharpener support
 Paper towel dispensers
 Soap dispensers

LOOSE FURNISHINGS:
 Workbenches with heavy-duty metal tops
 Stools or chairs
 Welding tables
 Wastebasket
 Pencil sharpener
 Various instructional materials

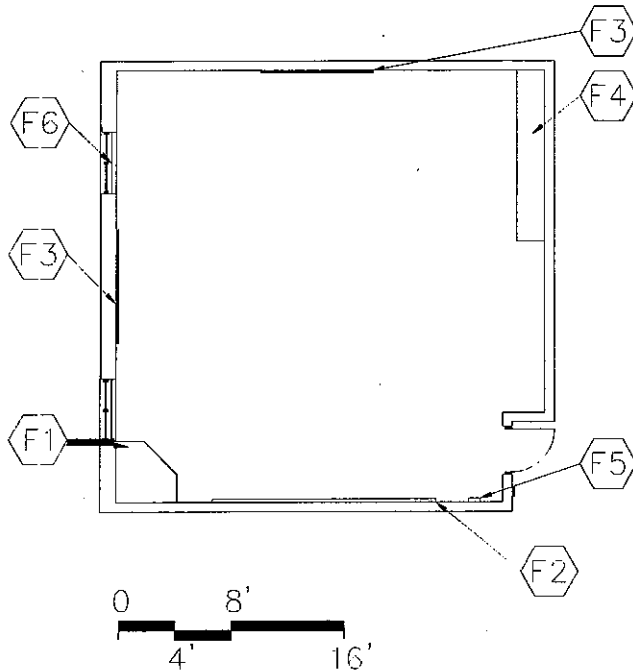
FINISHES:

Flooring:
 Sealed concrete

Base:
 Resilient base
Ceiling:
 Painted, exposed structure
Walls:
 Painted concrete masonry units

NOTES:

1. Electrical: duplex receptacles; multi-level switching; 220-volt receptacles
2. Technology: video port and video display device; voice port and phone; data ports; clock
3. Plumbing: washfountain, each utility sink, hose bib, floor drain; safety eyewash/shower; compressed air connections; natural gas connections; trench drain; master gas shut-off valve



- F1 Tall wardrobe w/file drawers
- F2 Chalk/marker board
- F3 Tack board
- F4 Base & wall cabinets
- F5 Pencil sharpener support
- F6 Windows with integral blinds

LOOSE FURNISHINGS:

- Student desks and chairs
- Computer workstation furniture
- Teacher workstation/computer support and chair
- File cabinet
- Low bookcases (fixed or mobile)
- Wastebasket
- Pencil sharpener
- Instructional microscope
- Media cart

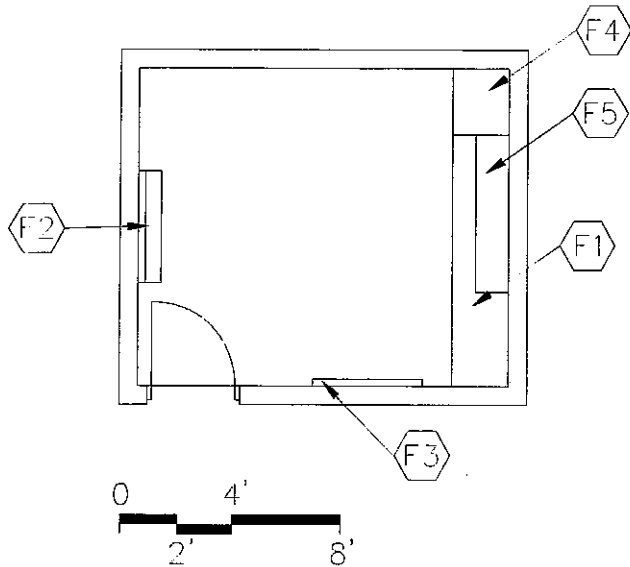
FINISHES:

- Flooring:
 - Carpet
 - Optional: All resilient

- Base:
 - Resilient base
- Ceiling:
 - Suspended, acoustical
- Walls:
 - Painted concrete masonry units

NOTES:

1. Electrical: duplex receptacles; multi-level switching
2. Technology: each video port, data port, voice port & phone; data ports for students; clock; LCD projector; printer; scanner; video camera; television with supports; VCR or DVD player



FEATURES:

Fixed Equipment:

- F1 Work surface with file drawers
- F2 Chalk/marker board
- F3 Tack board
- F4 Tall wardrobe
- F5 Wall cabinets

LOOSE FURNISHINGS:

- Desk and chair
- Computer desk return
- Visitor chairs
- Wastebasket

FINISHES:

Flooring:
Carpet

Base:

Resilient base

Ceiling:

Suspended, acoustical

Walls:

Painted gypsum wallboard
over metal studs

NOTES:

1. Electrical: duplex receptacles; single-level switching
2. Technology: each data port, video port, voice port & phone; clock

FEATURES:
 Fixed Equipment
 Towel dispenser
 24" x 60" mirror
 Toilet tissue holder
 36" and 42" grab bar
 Soap dispenser
 Lockers
 Wall cabinets

LOOSE FURNISHINGS:
 Wastebasket
 Chairs

FINISHES:

Flooring:

Resilient

Optional: Ceramic mosaic tile, porcelain tile,
 or terrazzo

Base:

Resilient base (optional: CMT, PT, or TER)

Ceiling:

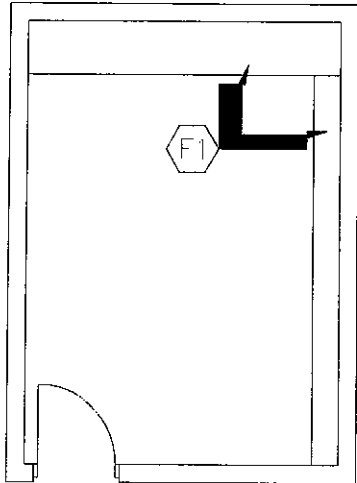
Suspended, acoustical

Walls:

Painted concrete masonry units

NOTES:

1. Electrical: Single-level switching; duplex receptacle
2. Plumbing: water closet and lavatory; floor drain



FEATURES:

Fixed Equipment:

F1 Open metal shelving

LOOSE FURNISHINGS:

N/A

FINISHES:

Flooring:
 Sealed concrete

Base:
 Resilient base

Ceiling:
 Suspended, acoustical or
 Painted, exposed structure

Walls:
 Painted concrete masonry units

NOTES:

1. Electrical: duplex receptacle; single-level switching

Program Description:

Program prepares individuals to plan, organize, direct, and control the functions and processes of a firm or organization. Includes instruction in human resource management, strategic planning, managing technology, general office functions, financial functions, supervisory functions, and business law.

FEATURES:**Fixed Equipment:**

Tall wardrobe w/file drawers
Chalk/marker board
Tack board
Pencil sharpener support
Base cabinets
Tall storage cabinets

LOOSE FURNISHINGS:

Student chairs
Work tables
Computer workstation furniture
Teacher workstation/computer support and chair
File cabinet
Wastebasket
Pencil sharpener
Media cart

FINISHES:**Flooring:**

Carpet
Optional: Resilient

Base:

Resilient base

Ceiling:

Suspended, acoustical

Walls:

Painted concrete masonry units

NOTES:

1. Electrical: duplex receptacles; multi-level switching; fluorescent lighting-parabolic lenses
2. Technology: each video port, data port, voice port & phone; classroom area network (26 ports minimum); clock; LCD projector; digital camera; scanner; television; VCR/DVD player
3. Miscellaneous: Classroom area network file server; laser printer

Program Description:

Program prepares individuals to provide administrative support services in a variety of business settings. Instructional emphasis will include office technology, financial functions, records management, and support tasks.

FEATURES:

Fixed Equipment:
Tall wardrobe w/file drawers
Chalk/marker board
Tack board
Pencil sharpener support
Base cabinets
Tall storage cabinets

LOOSE FURNISHINGS:

Student chairs
Work tables
Computer workstation furniture
Teacher workstation/computer support and chair
File cabinet
Wastebasket
Pencil sharpener
Media cart

FINISHES:**Flooring:**

Carpet
Optional: Resilient

Base:

Resilient base

Ceiling:

Suspended, acoustical

Walls:

Painted concrete masonry units

NOTES:

1. Electrical: duplex receptacles; multi-level switching; fluorescent lighting-parabolic lenses
2. Technology: each video port, data port, voice port & phone; classroom area network (26 ports minimum); clock; LCD projector; digital camera; scanner; television; VCR/DVD player
3. Miscellaneous: Classroom area network file server; laser printer

Program Description:

Program provides instruction and experiences for students to perform marketing functions in any business enterprise primarily engaged in travel services, lodging, leisure activities, attraction and entertainment events, convention services, transportation, and food services.

FEATURES:

Fixed Equipment:
Tall wardrobe w/file drawers
Chalk/marker board
Tack board
Pencil sharpener support
Base cabinets
Tall storage cabinets

LOOSE FURNISHINGS:

Student chairs
Work tables
Computer workstation furniture
Teacher workstation/computer support and chair
File cabinet
Wastebasket
Pencil sharpener
Media cart

FINISHES:**Flooring:**

Carpet
Optional: Resilient

Base:

Resilient base

Ceiling:

Suspended, acoustical

Walls:

Painted concrete masonry units

NOTES:

1. Electrical: duplex receptacles; multi-level switching; fluorescent lighting-parabolic lenses
2. Technology: each video port, data port, voice port & phone; classroom area network (26 ports minimum); clock; LCD projector; digital camera; scanner; television; VCR/DVD player
3. Miscellaneous: Classroom area network file server; laser printer

Program Description:

Program prepares individuals for employment in service and management occupations in the area of hospitality, lodging and facility care. Includes instruction and experiences to develop competencies in lodging services, guest relations, hotel security, guest and room services, environmental services, meeting and banquet services, and laundry and linen services.

FEATURES:**Fixed Equipment:**

Tall wardrobe w/file drawers
Chalk/marker board
Tack board
Pencil sharpener support
Base cabinets
Tall storage cabinets

LOOSE FURNISHINGS:

Student chairs
Work tables
Computer workstation furniture
Teacher workstation/computer support and chair
File cabinet
Wastebasket
Pencil sharpener
Media cart
Reception counter
Appliances such as dishwasher, oven, refrigerator, washer and dryer, microwave oven, etc.

FINISHES:**Flooring:**

Carpet

Optional: Resilient

Base:

Resilient base

Ceiling:

Suspended, acoustical

Walls:

Painted concrete masonry units

NOTES:

1. Electrical: duplex receptacles; multi-level switching
2. Technology: each video port, data port, voice port & phone; data ports; clock
3. Plumbing: utility sink
4. HVAC: Localized exhaust at laundry and oven area

Program Description:

Program provides instruction on various software programs used to provide graphics for organizations, and includes spatial and visual organization of graphic items on a page for maximum effect. This could include graphics used for marketing materials, newspapers, magazines, advertisements, technical brochures and manuals, websites, etc.

FEATURES:**Fixed Equipment:**

Tall wardrobe w/file drawers
Chalk/marker board
Tack board
Pencil sharpener support
Base cabinets
Tall storage cabinets

LOOSE FURNISHINGS:

Student chairs
Work tables
Computer workstation furniture
Teacher workstation/computer support and chair
File cabinet
Wastebasket
Pencil sharpener
Media cart

FINISHES:**Flooring:**

Carpet
Optional: Resilient

Base:

Resilient base

Ceiling:

Suspended, acoustical

Walls:

Painted concrete masonry units

NOTES:

1. Electrical: duplex receptacles; multi-level switching; fluorescent lighting-parabolic lenses
2. Technology: each video port, data port, voice port & phone; classroom area network (26 ports minimum); clock; LCD projector; digital camera; scanner; television; VCR/DVD player
3. Miscellaneous: Classroom area network file server; laser printer

Program Description:

Program provides instruction on various pieces of technology equipment including computer, printers, scanners, digital cameras, video cameras, etc. Students will learn to use these items to produce various pieces of information for presentations, news reports, magazines, etc.

FEATURES:**Fixed Equipment:**

Tall wardrobe w/file drawers
Chalk/marker board
Tack board
Pencil sharpener support
Base cabinets
Tall storage cabinets

LOOSE FURNISHINGS:

Student chairs
Work tables
Computer workstation furniture
Teacher workstation/computer support and chair
File cabinet
Wastebasket
Pencil sharpener
Media cart

FINISHES:**Flooring:**

Carpet
Optional: Resilient

Base:

Resilient base

Ceiling:

Suspended, acoustical

Walls:

Painted concrete masonry units

NOTES:

1. Electrical: duplex receptacles; multi-level switching; fluorescent lighting-parabolic lenses
2. Technology: each video port, data port, voice port & phone; classroom area network (26 ports minimum); clock; LCD projector; digital camera; scanner; television; VCR/DVD player
3. Miscellaneous: Classroom area network file server; laser printer

Program Description:

Program prepares individuals to provide and manage data systems for processing and retrieving internal business information, as well as responding to external data requests. Numerous programming languages will be introduced.

FEATURES:**Fixed Equipment:**

Tall wardrobe w/file drawers
Chalk/marker board
Tack board
Pencil sharpener support
Base cabinets
Tall storage cabinets

LOOSE FURNISHINGS:

Student chairs
Work tables
Computer workstation furniture
Teacher workstation/computer support and chair
File cabinet
Wastebasket
Pencil sharpener
Media cart

FINISHES:**Flooring:**

Carpet
Optional: Resilient

Base:

Resilient base

Ceiling:

Suspended, acoustical

Walls:

Painted concrete masonry units

NOTES:

1. Electrical: duplex receptacles; multi-level switching; fluorescent lighting-parabolic lenses
2. Technology: each video port, data port, voice port & phone; classroom area network (26 ports minimum); clock; LCD projector; digital camera; scanner; television; VCR/DVD player
3. Miscellaneous: Classroom area network file server; laser printer

Program Description:

Program provides planned learning experiences concerned with systemizing information about transactions and activities into accounts and quantitative records, as well as paying and receiving money.

FEATURES:**Fixed Equipment:**

Tall wardrobe w/file drawers
Chalk/marker board
Tack board
Pencil sharpener support
Base cabinets
Tall storage cabinets

LOOSE FURNISHINGS:

Student chairs
Work tables
Computer workstation furniture
Teacher workstation/computer support and chair
File cabinet
Wastebasket
Pencil sharpener
Media cart

FINISHES:**Flooring:**

Carpet
Optional: Resilient

Base:

Resilient base

Ceiling:

Suspended, acoustical

Walls:

Painted concrete masonry units

NOTES:

1. Electrical: duplex receptacles; multi-level switching; fluorescent lighting-parabolic lenses
2. Technology: each video port, data port, voice port & phone; classroom area network (26 ports minimum); clock; LCD projector; digital camera; scanner; television; VCR/DVD player
3. Miscellaneous: Classroom area network file server; laser printer

Program Description:

Program provides instruction concerned with systemizing information about transactions and activities into accounts. Including paying and receiving money, as well as investing and long-term financial planning.

FEATURES:

Fixed Equipment:
Tall wardrobe w/file drawers
Chalk/marker board
Tack board
Pencil sharpener support
Base cabinets
Tall storage cabinets

LOOSE FURNISHINGS:

Student chairs
Work tables
Computer workstation furniture
Teacher workstation/computer support and chair
File cabinet
Wastebasket
Pencil sharpener
Media cart

FINISHES:**Flooring:**

Carpet
Optional: Resilient

Base:

Resilient base

Ceiling:

Suspended, acoustical

Walls:

Painted concrete masonry units

NOTES:

1. Electrical: duplex receptacles; multi-level switching; fluorescent lighting-parabolic lenses
2. Technology: each video port, data port, voice port & phone; classroom area network (26 ports minimum); clock; LCD projector; digital camera; scanner; television; VCR/DVD player
3. Miscellaneous: Classroom area network file server; laser printer

Program Description:

Program provides systematic study of marketing policies, developing a marketing plan for a product or service, setting and achieving marketing goals, and overall marketing involvement in the success of a firm or organization.

FEATURES:**Fixed Equipment:**

Tall wardrobe w/file drawers
Chalk/marker board
Tack board
Pencil sharpener support
Base cabinets
Tall storage cabinets

LOOSE FURNISHINGS:

Student chairs
Work tables
Computer workstation furniture
Teacher workstation/computer support and chair
File cabinet
Wastebasket
Pencil sharpener
Media cart

FINISHES:**Flooring:**

Carpet
Optional: Resilient

Base:

Resilient base

Ceiling:

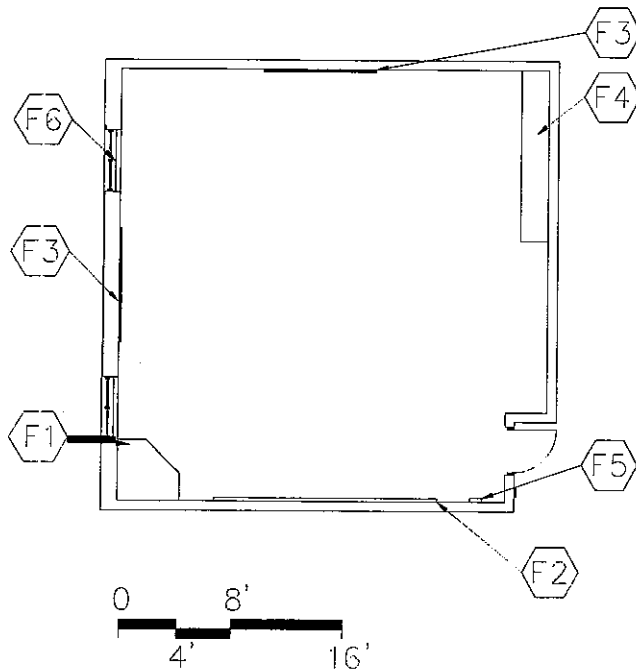
Suspended, acoustical

Walls:

Painted concrete masonry units

NOTES:

1. Electrical: duplex receptacles; multi-level switching; fluorescent lighting-parabolic lenses
2. Technology: each video port, data port, voice port & phone; classroom area network (26 ports minimum); clock; LCD projector; digital camera; scanner; television; VCR/DVD player
3. Miscellaneous: Classroom area network file server; laser printer



- F1 Tall wardrobe w/file drawers
- F2 Chalk/marker board
- F3 Tack board
- F4 Base & wall cabinets
- F5 Pencil sharpener support
- F6 Windows with integral blinds

LOOSE FURNISHINGS:

- Student desks and chairs
- Computer workstation furniture
- Teacher workstation/computer support and chair
- File cabinet
- Low bookcases (fixed or mobile)
- Wastebasket
- Pencil sharpener
- Instructional microscope
- Media cart

FINISHES:

Flooring:

- Carpet
- Optional: All resilient

Base:

- Resilient base

Ceiling:

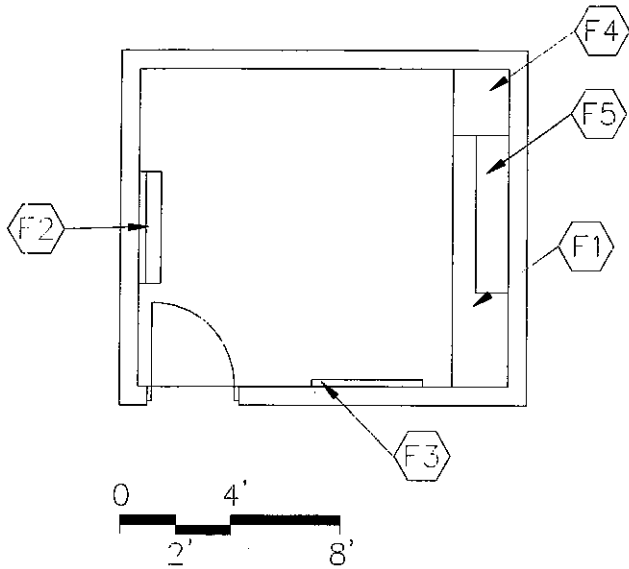
- Suspended, acoustical

Walls:

- Painted concrete masonry units

NOTES:

1. Electrical: duplex receptacles; multi-level switching
2. Technology: each video port, data port, voice port & phone; data ports for students; clock; LCD projector; printer; scanner; video camera; television with supports; VCR or DVD player



FEATURES:

Fixed Equipment:

- F1 Work surface with file drawers
- F2 Chalk/marker board
- F3 Tack board
- F4 Tall wardrobe
- F5 Wall cabinets

LOOSE FURNISHINGS:

- Desk and chair
- Computer desk return
- Visitor chairs
- Wastebasket

FINISHES:

Flooring:

Carpet

Base:

Resilient base

Ceiling:

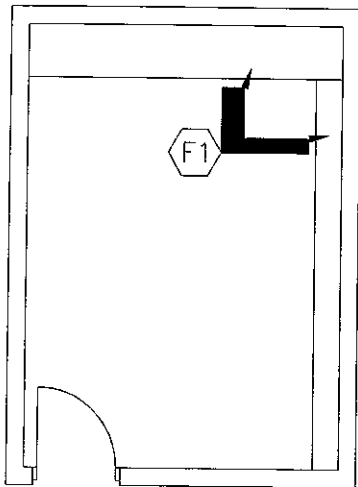
Suspended, acoustical

Walls:

Painted gypsum wallboard
over metal studs

NOTES:

1. Electrical: duplex receptacles; single-level switching
2. Technology: each data port, video port, voice port & phone; clock



FEATURES:

Fixed Equipment:

F1 Open metal shelving

LOOSE FURNISHINGS:

N/A

FINISHES:

Flooring:

Sealed concrete

Base:

Resilient base

Ceiling:

Suspended, acoustical or
Painted, exposed structure

Walls:

Painted concrete masonry units

NOTES:

1. Electrical: duplex receptacle; single-level switching

Program Description:

Program prepares students for family life, work life, and careers by providing opportunities to develop the knowledge, skills, attitudes, and behaviors needed to become responsible citizens.

FEATURES:

Fixed Equipment:
 Tall wardrobe w/file drawers
 Chalk/marker board
 Tack board
 Pencil sharpener support
 Sink base cabinet
 Towel dispenser
 Soap dispenser
 Base cabinets
 Tall storage cabinets

LOOSE FURNISHINGS:

Student chairs
 Work tables
 Computer workstation furniture
 Teacher workstation/computer support and chair
 File cabinet
 Wastebasket
 Pencil sharpener
 Media cart

FINISHES:

Flooring:

Carpet
 Optional: Resilient

Base:

Resilient base

Ceiling:

Suspended, acoustical

Walls:

Painted concrete masonry units

NOTES:

1. Electrical: duplex receptacles; multi-level switching; fluorescent lighting-parabolic lenses
2. Technology: each video port, data port, voice port & phone; classroom area network (26 ports minimum); clock; LCD projector; digital camera; scanner; television; VCR/DVD player
3. Plumbing: Sink
4. Miscellaneous: Classroom area network file server; laser printer

Program Description:

Program prepares students for providing nourishing meals for themselves and others through buying groceries, organizing and storing of food items, preparation of food items, cleaning and storage of kitchen items, and planning well-balanced meals.

FEATURES:

Fixed Equipment:

- Sink base cabinet
- Towel dispensers
- Soap dispensers
- Base cabinets
- Tall storage cabinets

LOOSE FURNISHINGS:

- Student chairs
- Tables
- Wastebaskets
- Microwaves
- Refrigerators
- Ranges and ovens
- Dishwasher

FINISHES:

Flooring:
Resilient

Base:

Resilient base

Ceiling:

Suspended, acoustical

Walls:

Painted concrete masonry units

NOTES:

1. Electrical: duplex receptacles; multi-level switching
2. Technology: each video port, data port, voice port & phone
3. HVAC: Localized exhaust at range/oven area
4. Plumbing: Sinks

Program Description:

Program instructs students on how to create clothing from a bolt of material, as well as the necessities of mending clothes. This includes button replacement, shortening of pants, taking in or letting out of garments, reading a pattern, cutting material, and sewing a garment.

FEATURES:**Fixed Equipment:**

Base cabinets
Tall storage cabinets

LOOSE FURNISHINGS:

Student chairs
Work tables
Wastebaskets
Sewing machines

FINISHES:**Flooring:**

Resilient

Base:

Resilient base

Ceiling:

Suspended, acoustical

Walls:

Painted concrete masonry units

NOTES:

1. Electrical: duplex receptacles; multi-level switching
2. Technology: each video port, data port, voice port & phone

FEATURES:

Fixed Equipment:

- Mirror
- Base cabinet

LOOSE FURNISHINGS:

- Pedestal for standing on
- Stool
- Wastebasket

FINISHES:

- Flooring:**
Resilient

- Base:**
Resilient base
- Ceiling:**
Suspended, acoustical
- Walls:**
Painted concrete masonry units

NOTES:

1. Electrical: duplex receptacles; single-level switching

FEATURES:
Fixed Equipment:
Wall cabinet

LOOSE FURNISHINGS:
Washer
Dryer
Hanging bar/rack
Clothes basket
Wastebasket

FINISHES:
Flooring:
Resilient

Base:
Resilient base
Ceiling:
Suspended, acoustical
Walls:
Painted concrete masonry units

NOTES:

1. Electrical: duplex receptacles; single-level switching; receptacle for washer and dryer
2. HVAC: Localized exhaust at laundry area

Program Description:

Program prepares students for training in the service of food in public dining with skills in etiquette and efficient service techniques.

FEATURES:**Fixed Equipment:**

Tall wardrobe w/file drawers
Chalk/marker board
Tack board
Pencil sharpener support
Sink base cabinet
Towel dispenser
Soap dispenser
Base cabinets
Tall storage cabinets

LOOSE FURNISHINGS:

Student chairs
Work tables
Computer workstation furniture
Teacher workstation/computer support and chair
File cabinet
Wastebasket
Pencil sharpener
Media cart

FINISHES:**Flooring:**

Carpet
Optional: Resilient

Base:

Resilient base

Ceiling:

Suspended, acoustical

Walls:

Painted concrete masonry units

NOTES:

1. Electrical: duplex receptacles; multi-level switching; fluorescent lighting-parabolic lenses
2. Technology: each video port, data port, voice port & phone; classroom area network (26 ports minimum); clock; LCD projector; digital camera; scanner; television; VCR/DVD player
3. Plumbing: Sink
4. Miscellaneous: Classroom area network file server; laser printer

Program Description:

Program prepares students for employment in managerial, production, and service jobs for a variety of food service and/or baking operations. Instruction and experiences develop the students' abilities in selection,

FEATURES:**Fixed Equipment:**

Tall wardrobe w/file drawers
Chalk/marker board
Tack board
Pencil sharpener support
Sink base cabinet
Towel dispenser
Soap dispenser
Base cabinets
Tall storage cabinets

LOOSE FURNISHINGS:

Student chairs
Work tables
Computer workstation furniture
Teacher workstation/computer support and chair
File cabinet
Wastebasket
Pencil sharpener
Media cart

FINISHES:**Flooring:**

Carpet
Optional: Resilient

Base:

Resilient base

Ceiling:

Suspended, acoustical

Walls:

Painted concrete masonry units

NOTES:

1. Electrical: duplex receptacles; multi-level switching; fluorescent lighting-parabolic lenses
2. Technology: each video port, data port, voice port & phone; classroom area network (26 ports minimum); clock; LCD projector; digital camera; scanner; television; VCR/DVD player
3. Plumbing: Sink
4. Miscellaneous: Classroom area network file server; laser printer

FEATURES:

Fixed Equipment:

Sink base cabinet
Towel dispensers
Soap dispensers
Base cabinets
Tall storage cabinets

LOOSE FURNISHINGS:

Student chairs
Tables
Wastebaskets
Microwaves
Refrigerators
Ranges and ovens
Dishwasher

FINISHES:

Flooring:
Resilient

Base:

Resilient base

Ceiling:

Suspended, acoustical

Walls:

Painted concrete masonry units

NOTES:

1. Electrical: duplex receptacles; multi-level switching
2. Technology: each video port, data port, voice port & phone
3. HVAC: Localized exhaust at range/oven area
4. Plumbing: Sinks

Program Description:

Program provides organized learning experiences concerned with keeping the physical structure of a building in good repair. Instruction includes awareness of the upkeep and maintenance of building components and furnishings, including procedures to service or replace components as required.

FEATURES:

Fixed Equipment:

- Tall wardrobe w/file drawers
- Chalk/marker board
- Tack board
- Pencil sharpener support
- Sink base cabinet
- Towel dispenser
- Soap dispenser
- Base cabinets
- Tall storage cabinets

LOOSE FURNISHINGS:

- Student chairs
- Work tables
- Computer workstation furniture
- Teacher workstation/computer support and chair
- File cabinet
- Wastebasket
- Pencil sharpener
- Media cart

FINISHES:

Flooring:

Sealed concrete

Base:

Resilient base

Ceiling:

Painted, exposed structure

Walls:

Painted concrete masonry units

NOTES:

1. Electrical: duplex receptacles; multi-level switching; fluorescent lighting-parabolic lenses
2. Technology: each video port, data port, voice port & phone; classroom area network (26 ports minimum); clock; LCD projector; digital camera; scanner; television; VCR/DVD player
3. Plumbing: Sink
4. Miscellaneous: Classroom area network file server; laser printer

Program Description:

Program prepares students for employment in child care and guidance. Includes instruction and experiences to develop competencies in teaching and guiding young children. Includes promoting physical, intellectual, social, and emotional growth and development of children, as well as the laws, regulations, and policies related to providing child care services.

FEATURES:

Fixed Equipment:

Tall wardrobe w/file drawers
 Chalk/marker board
 Tack board
 Pencil sharpener support
 Sink base cabinet
 Towel dispenser
 Soap dispenser
 Base cabinets
 Tall storage cabinets
 Open casework – coats
 Windows with integral blinds

LOOSE FURNISHINGS:

Student desks and chairs
 Tables and chairs for small children
 Low mobile storage units
 Computer workstation furniture
 Teacher workstation/computer support and chair
 File cabinet
 Wastebasket
 Pencil sharpener

FINISHES:

Flooring:

60% Carpet
 40% Resilient

Base:

Resilient base

Ceiling:

Suspended, acoustical

Walls:

Painted concrete masonry units

NOTES:

1. Electrical: duplex receptacles; multi-level switching
2. Technology: each video port, data port, voice port & phone; data ports; clock; overhead projector
3. Plumbing: sinks (1 with drinking fountain)

FEATURES:

Fixed Equipment:
Wall cabinet

LOOSE FURNISHINGS:

Washer
Dryer
Hanging bar/rack
Clothes basket
Wastebasket

FINISHES:

Flooring:
Resilient

Base:

Resilient base

Ceiling:

Suspended, acoustical

Walls:

Painted concrete masonry units

NOTES:

1. Electrical: duplex receptacles; single-level switching; receptacle for washer and dryer
2. HVAC: Localized exhaust at laundry area

Program Description:

Program prepares students for providing a and arm massaging. Keeping records, sanitizing, hygiene, and customer relations are also a part of this program.

FEATURES:**Fixed Equipment:**

Tack board
Pencil sharpener support
Sink base cabinets
Towel dispensers
Soap dispensers
Base cabinets
Reception counter
Adjustable display shelving
Windows with integral blinds

LOOSE FURNISHINGS:

Student hair stations
File cabinet
Wastebasket
Pencil sharpener
Portable demonstration stage

FINISHES:**Flooring:**

Resilient

Base:

Resilient base

Ceiling:

Suspended, acoustical

Walls:

Painted concrete masonry units

NOTES:

1. Electrical: duplex receptacles; multi-level switching
2. Technology: each video port, data port, voice port & phone; clock
3. Plumbing: Hair washing sinks
4. HVAC: Ventilation for odors

FEATURES:
Fixed Equipment:
Sink base cabinets
Towel dispensers
Soap dispensers
Base cabinets

LOOSE FURNISHINGS:
Wastebasket
Table and chairs

FINISHES:

Flooring:
Resilient

Base:
Resilient base
Ceiling:
Suspended, acoustical
Walls:
Painted concrete masonry units

NOTES:

1. Electrical: duplex receptacles; single-level switching
2. Technology: Clock
3. Plumbing: Sinks
4. HVAC: Independent ventilation

FEATURES:

Fixed Equipment:
Sink base cabinet
Towel dispenser
Soap dispenser
Base cabinet

LOOSE FURNISHINGS:

Wastebasket
Student hair station

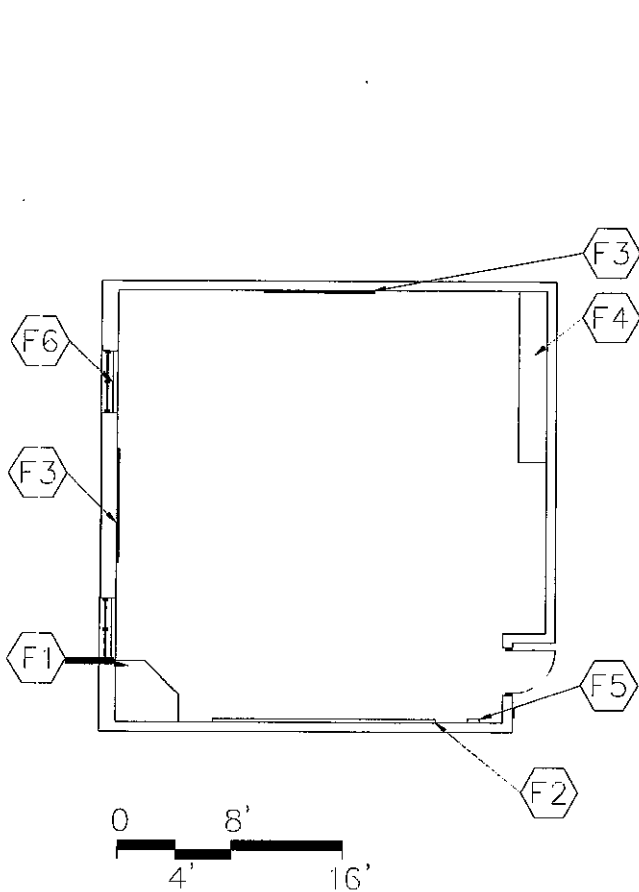
FINISHES:

Flooring:
Resilient

Base:
Resilient base
Ceiling:
Suspended, acoustical
Walls:
Painted concrete masonry units

NOTES:

1. Electrical: duplex receptacles; single-level switching
2. Technology: Clock
3. Plumbing: Sink



- F1 Tall wardrobe w/file drawers
- F2 Chalk/marker board
- F3 Tack board
- F4 Base & wall cabinets
- F5 Pencil sharpener support
- F6 Windows with integral blinds

LOOSE FURNISHINGS:

- Student desks and chairs
- Computer workstation furniture
- Teacher workstation/computer support and chair
- File cabinet
- Low bookcases (fixed or mobile)
- Wastebasket
- Pencil sharpener
- Instructional microscope
- Media cart

FINISHES:

Flooring:

- Carpet
- Optional: All resilient

Base:

- Resilient base

Ceiling:

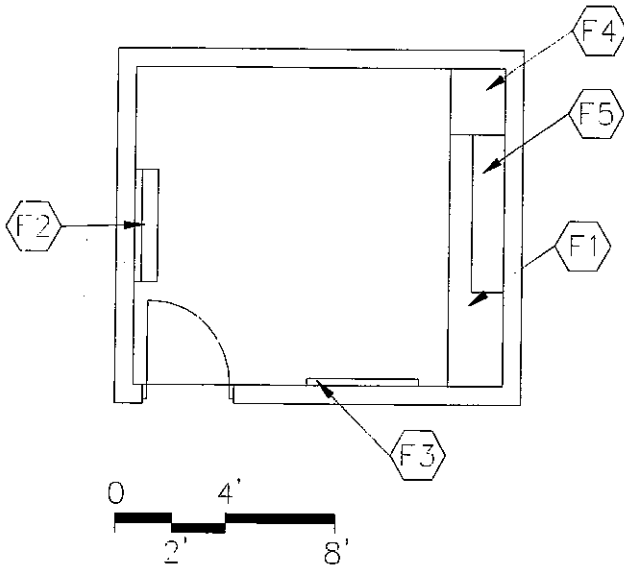
- Suspended, acoustical

Walls:

- Painted concrete masonry units

NOTES:

1. Electrical: duplex receptacles; multi-level switching
2. Technology: each video port, data port, voice port & phone; data ports for students; clock; LCD projector; printer; scanner; video camera; television with supports; VCR or DVD player



FEATURES:

Fixed Equipment:

- F1 Work surface with file drawers
- F2 Chalk/marker board
- F3 Tack board
- F4 Tall wardrobe
- F5 Wall cabinets

LOOSE FURNISHINGS:

- Desk and chair
- Computer desk return
- Visitor chairs
- Wastebasket

FINISHES:

Flooring:
Carpet

Base:

Resilient base

Ceiling:

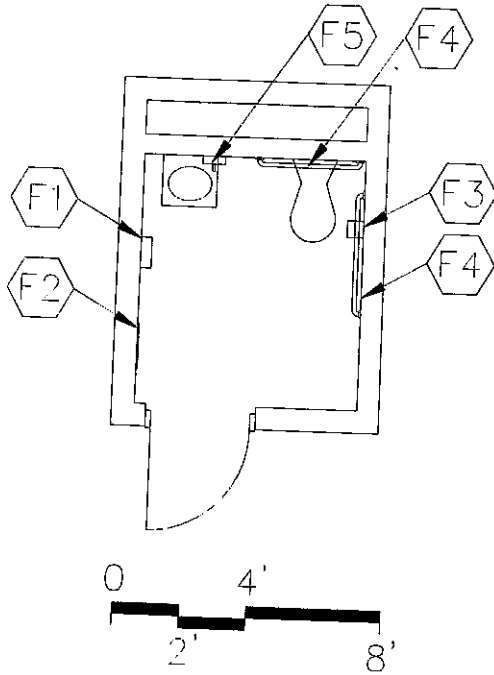
Suspended, acoustical

Walls:

Painted gypsum wallboard
over metal studs

NOTES:

1. Electrical: duplex receptacles; single-level switching
2. Technology: each data port, video port, voice port & phone; clock



FEATURES:

Fixed Equipment:

- F1 Towel dispenser
- F2 24" x 60" mirror
- F3 Toilet tissue holder
- F4 36" and 42" grab bar
- F5 Soap dispenser

LOOSE FURNISHINGS:

Wastebasket

FINISHES:

Flooring:

Resilient

Optional: ceramic mosaic tile, porcelain tile, or terrazzo

Base:

Resilient base (optional: CMT, PT, or TER)

Ceiling:

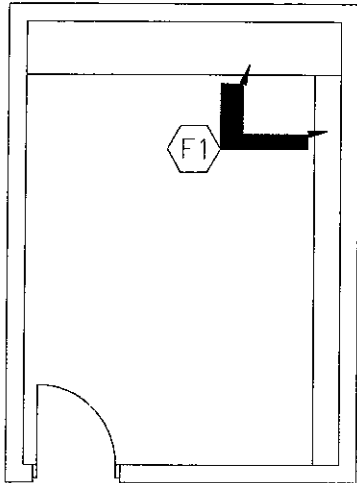
Suspended, acoustical

Walls:

Painted concrete masonry units

NOTES:

1. Plumbing: water closet and lavatory
2. Electrical: duplex receptacle; single-level switching



FEATURES:

Fixed Equipment:

F1 Open metal shelving

LOOSE FURNISHINGS:

N/A

FINISHES:

Flooring:
Sealed concrete

Base:
Resilient base
Ceiling:
Suspended, acoustical or
Painted, exposed structure
Walls:
Painted concrete masonry units

NOTES:

1. Electrical: duplex receptacle; single-level switching

Program Description:

Program provides instruction in the mathematical and scientific principles and technical skills in support of the design, development, and use of integrated manufacturing systems. Includes problem solving in design, testing, systems logistics, material flow, and the calibration and maintenance of instruments.

FEATURES: Fixed
Equipment
Chalk/marker board
Tack board
Tall storage cabinets
Pencil sharpener support
Paper towel dispensers
Soap dispensers
12'x14' motorized overhead sectional door to exterior
Steel bollards at overhead door, both sides
3'x7' hollow metal mandoor to exterior

LOOSE FURNISHINGS:

Workbenches with heavy-duty metal tops
Stools or chairs
Welding tables
Wastebasket
Pencil sharpener

FINISHES:**Flooring:**

Sealed concrete

Base:

Resilient base

Ceiling:

Painted, exposed structure

Walls:

Painted concrete masonry units

NOTES:

1. Electrical: duplex receptacles; multi-level switching; 220-volt receptacles
2. Technology: video port and video display device; voice port and phone; data ports; clock
3. Plumbing: washfountains, utility sinks, hose bibs; safety eyewash/shower; compressed air connections; floor drains; trench drain
4. HVAC: welding hood and exhaust

Program Description:

Program allows students to become proficient in the installation, repair, and maintenance of air-conditioning systems. Include is instruction related to electrical principles, electric motors, controls, refrigeration, piping systems, and heating and air-conditioning principles and practices.

FEATURES: Fixed
 Equipment
 Chalk/marker board
 Tack board
 Tall storage cabinets
 Pencil sharpener support
 Paper towel dispensers
 Soap dispensers
 12'x14' motorized overhead sectional door to exterior
 Steel bollards at overhead door, both sides
 3'x7' hollow metal mandoor to exterior

LOOSE FURNISHINGS:

Workbenches with heavy-duty metal tops
 Stools or chairs
 Welding tables
 Wastebasket
 Pencil sharpener

FINISHES:**Flooring:**

Sealed concrete

Base:

Resilient base

Ceiling:

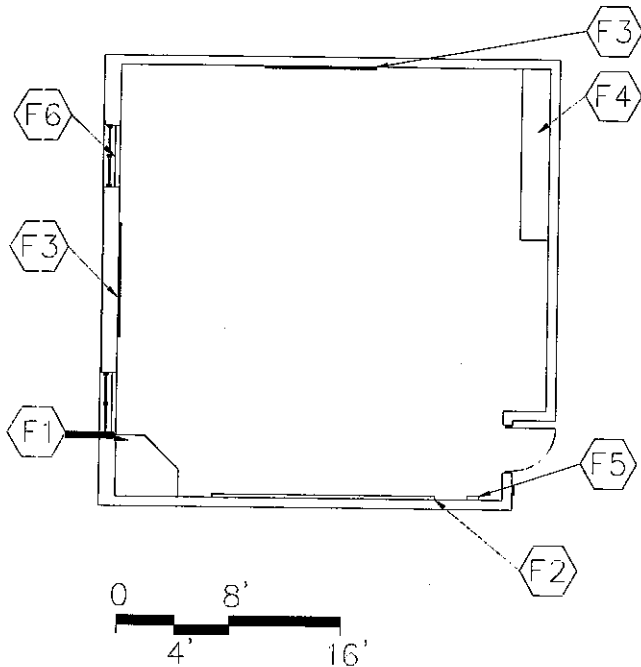
Painted, exposed structure

Walls:

Painted concrete masonry units

NOTES:

1. Electrical: duplex receptacles; multi-level switching; 220-volt receptacles; 277 volt receptacles; 408 volt receptacles
2. Technology: video port and video display device; voice port and phone; data ports; clock
3. Plumbing: each washfountains, utility sinks, hose bibs; safety eyewash/shower; compressed air connections; floor drains; trench drain
4. HVAC: welding hood and exhaust



- F1 Tall wardrobe w/file drawers
- F2 Chalk/marker board
- F3 Tack board
- F4 Base & wall cabinets
- F5 Pencil sharpener support
- F6 Windows with integral blinds

LOOSE FURNISHINGS:

- Student desks and chairs
- Computer workstation furniture
- Teacher workstation/computer support and chair
- File cabinet
- Low bookcases (fixed or mobile)
- Wastebasket
- Pencil sharpener
- Instructional microscope
- Media cart

FINISHES:

Flooring:

- Carpet
- Optional: All resilient

Base:

- Resilient base

Ceiling:

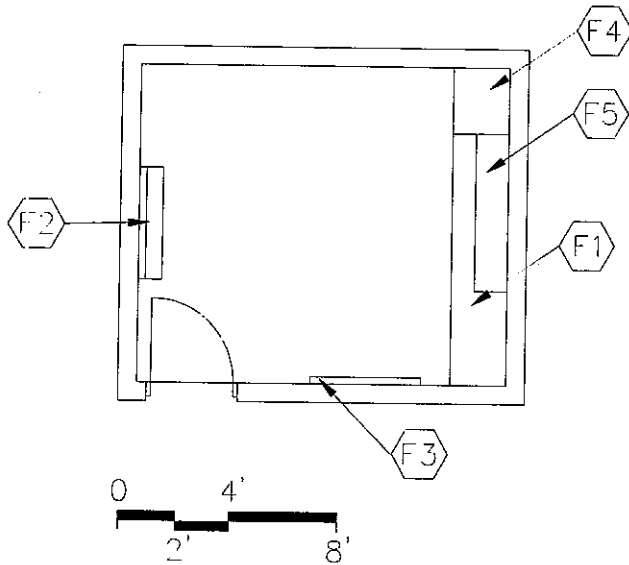
- Suspended, acoustical

Walls:

- Painted concrete masonry units

NOTES:

1. Electrical: duplex receptacles; multi-level switching
2. Technology: each video port, data port, voice port & phone; data ports for students; clock; LCD projector; printer; scanner; video camera; television with supports; VCR or DVD player



FEATURES:

Fixed Equipment:

- F1 Work surface with file drawers
- F2 Chalk/marker board
- F3 Tack board
- F4 Tall wardrobe
- F5 Wall cabinets

LOOSE FURNISHINGS:

- Desk and chair
- Computer desk return
- Visitor chairs
- Wastebasket

FINISHES:

Flooring:
Carpet

Base:

Resilient base

Ceiling:

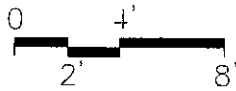
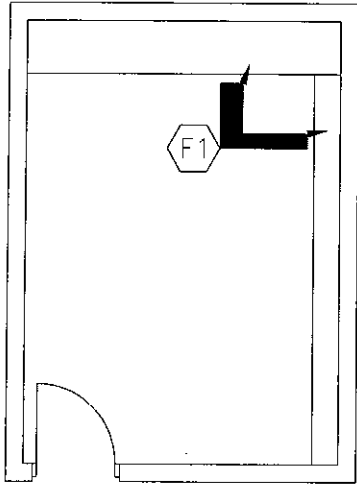
Suspended, acoustical

Walls:

Painted gypsum wallboard
over metal studs

NOTES:

1. Electrical: duplex receptacles; single-level switching
2. Technology: each data port, video port, voice port & phone; clock



FEATURES:

Fixed Equipment:

F1 Open metal shelving

LOOSE FURNISHINGS:

N/A

FINISHES:

Flooring:

Sealed concrete

Base:

Resilient base

Ceiling:

Suspended, acoustical or
Painted, exposed structure

Walls:

Painted concrete masonry units

NOTES:

1. Electrical: duplex receptacle; single-level switching

Program Description:

Program instructs students on the proper ways to lay out print advertisements; including newspapers, magazines, trade journals, etc. Will include the use of many

FEATURES:**Fixed Equipment:**

Chalk/marker board
Tack board
Pencil sharpener support
Base cabinets
Tall storage cabinets

LOOSE FURNISHINGS:

Student chairs
Work tables
Computer workstation furniture
Teacher workstation/computer support and chair
File cabinet
Wastebasket
Pencil sharpener

FINISHES:

Flooring:
Resilient

Base:

Resilient base

Ceiling:

Suspended, acoustical

Walls:

Painted concrete masonry units

NOTES:

1. Electrical: duplex receptacles; multi-level switching
2. Technology: each video port, data port, voice port & phone
3. Miscellaneous: Color laser printer

Program Description:
Program prepares individuals for diversified work experience with training in verbal and written communication.

FEATURES:
Fixed Equipment:
Chalk/marker board
Tack board
Pencil sharpener support
Base cabinets
Tall storage cabinets

LOOSE FURNISHINGS:
Student chairs
Work tables
Computer workstation furniture
Teacher workstation/computer support and chair
File cabinet
Wastebasket
Pencil sharpener

FINISHES:

Flooring:
Carpet
Optional: Resilient

Base:
Resilient base
Ceiling:
Suspended, acoustical
Walls:
Painted concrete masonry units

NOTES:

1. Electrical: duplex receptacles; multi-level switching
2. Technology: each video port, data port, voice port & phone
3. Miscellaneous: Color laser printer

Program Description:

Organized, specialized learning experience that includes theory, laboratory, and studio work as each relates to all phases of camera uses and photographic processing. Instruction includes composition and color dynamics; contact printing and enlarging; film development; airbrush and retouching; coloring; copying; utilization of camera, meters, and other photographic equipment. Areas of study include portrait, commercial, and industry photography, leading to employment as a Commercial Photographer, Airbrush Artist, Camera person (offset printing), Audiovisual Projectionist, and Camera person (broadcasting).

FEATURES:**Fixed Equipment:**

Base cabinets
Tall storage cabinets
Chalk/marker board
Tack board

LOOSE FURNISHINGS:

Student chairs
Work tables
Wastebasket

FINISHES:**Flooring:**

Carpet
Optional: Resilient

Base:

Resilient base

Ceiling:

Suspended, acoustical

Walls:

Painted concrete masonry units

NOTES:

1. Electrical: duplex receptacles; multi-level switching
2. Technology: each video port, data port, voice port & phone
3. Plumbing: Safety shower/eyewash

FEATURES:

Fixed Equipment:

- Base cabinets
- Tall storage cabinets
- Pencil sharpener support
- Chalk/marker board
- Tack board
- Sink base cabinets
- Paper towel dispenser
- Soap dispenser

LOOSE FURNISHINGS:

- Student chairs/stools
- Work tables with epoxy tops
- Teacher station & chair
- Pencil sharpener
- Wastebasket

FINISHES:

Flooring:
Resilient

Base:

Resilient base

Ceiling:

Suspended, acoustical

Walls:

Painted concrete masonry units

NOTES:

1. Electrical: duplex receptacles; multi-level switching; fluorescent lighting
2. Technology: video port, voice port & phone; data ports; overhead projector
3. Plumbing: Sinks

FEATURES:

Fixed Equipment:

Epoxy top sink base cabinets
Wall cabinets
Epoxy shelving
Towel dispenser
Soap dispenser
Access via revolving darkroom room

LOOSE FURNISHINGS:

Wastebasket

FINISHES:

Flooring:

Resilient

Base:

Resilient base

Ceiling:

Suspended, acoustical

Walls:

Painted concrete masonry units

NOTES:

1. Electrical: duplex receptacles; single-level switching; keyed fluorescent lighting; darkroom lighting on keyed switch
2. Technology: video port, voice port & phone; data ports; overhead projector
3. Plumbing: Eyewash; sinks
4. HVAC: Independent ventilation

Program Description:

Program involves theory, lab, and shop work for all phases of layout, composition,

FEATURES:**Fixed Equipment:**

Tall wardrobe w/file drawers
Chalk/marker board
Tack board
Pencil sharpener support
Base cabinets
Tall storage cabinets
Sink base cabinets
Towel dispensers
Soap dispensers

LOOSE FURNISHINGS:

Student chairs
Work tables
Computer workstation furniture
Teacher workstation/computer support and chair
File cabinet
Wastebasket
Pencil sharpener

FINISHES:

Flooring:
Resilient

Base:

Resilient base

Ceiling:

Suspended, acoustical

Walls:

Painted concrete masonry units

NOTES:

1. **Electrical:** duplex receptacles; multi-level switching; 220-volt service; emergency shutoff for printing equipment; safety lights over plate making area; overhead electrical drops for printing equipment
2. **Technology:** video port, voice port & phone; clock; data ports
3. **Plumbing:** Sinks

Program Description:

Program involves all concepts related to the production of a musical, a play, etc.

FEATURES: Fixed
Equipment: Acoustical
wall treatment

LOOSE FURNISHINGS:
Student tables and chairs

FINISHES:

Flooring:
Carpet

Base:

Resilient base

Ceiling:

Suspended, acoustical

Walls:

Painted concrete masonry units

NOTES:

1. Electrical: duplex receptacles; multi-level switching;
2. Technology: video port, data port, voice port & phone; clock

FEATURES:**Fixed Equipment:**

108" high costume storage cabinet
Sink base cabinet
Towel dispenser
Soap dispenser
Tack board
Work surface
48" high make-up mirrors
20" wide x 60" high dressing mirrors

LOOSE FURNISHINGS:

Chairs
Bench
Mobile costume rack
Wastebasket

FINISHES:**Flooring:**

Resilient

Base:

Resilient base

Ceiling:

Suspended, acoustical

Walls:

Painted concrete masonry units

NOTES:

1. Electrical: duplex receptacles; incandescent lighting over make-up mirrors; fluorescent lighting overhead; single-level switching; telecommunications grounding
2. Technology: video port, data port, voice port & phone; clock
3. Plumbing: Sinks

FEATURES: Fixed
Equipment: Open
metal shelving

LOOSE FURNISHINGS:
NA

FINISHES:

Flooring:
Sealed concrete

structure

Base:
Resilient base
Ceiling:
Suspended, acoustical or painted

Walls:
Painted concrete masonry units

NOTES:

1. Electrical: duplex receptacles; single-level switching

RADIO/TV BROADCASTING LAB
WD-AV-10**Program Description:**

Program involves all concepts related to the

broadcasting arena includes radio interviews, television interviews, news reports, and coverage of sporting and entertainment events.

FEATURES: Fixed
Equipment: Acoustical
wall treatment

LOOSE FURNISHINGS:
Student tables and chairs
Stage furniture

FINISHES:

Flooring:

Resilient

Base:

Resilient base

Ceiling:

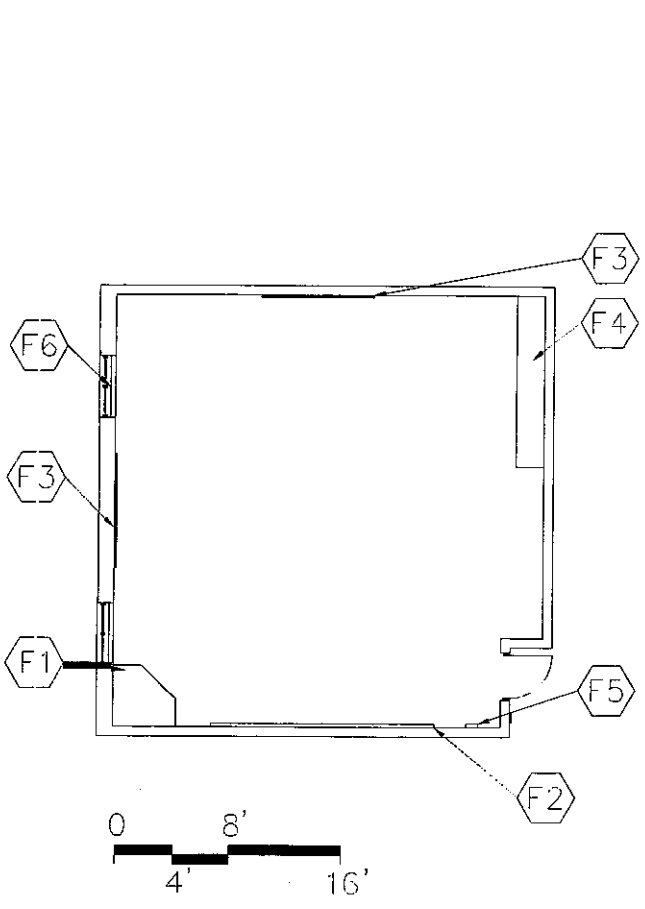
Suspended, acoustical

Walls:

Painted concrete masonry units

NOTES:

1. **Electrical:** duplex receptacles; multi-level switching
2. **Technology:** each video port, data port, voice port & phone; clock



- F1 Tall wardrobe w/file drawers
- F2 Chalk/marker board
- F3 Tack board
- F4 Base & wall cabinets
- F5 Pencil sharpener support
- F6 Windows with integral blinds

LOOSE FURNISHINGS:

- Student desks and chairs
- Computer workstation furniture
- Teacher workstation/computer support and chair
- File cabinet
- Low bookcases (fixed or mobile)
- Wastebasket
- Pencil sharpener
- Instructional microscope
- Media cart

FINISHES:

Flooring:

- Carpet
- Optional: All resilient

Base:

- Resilient base

Ceiling:

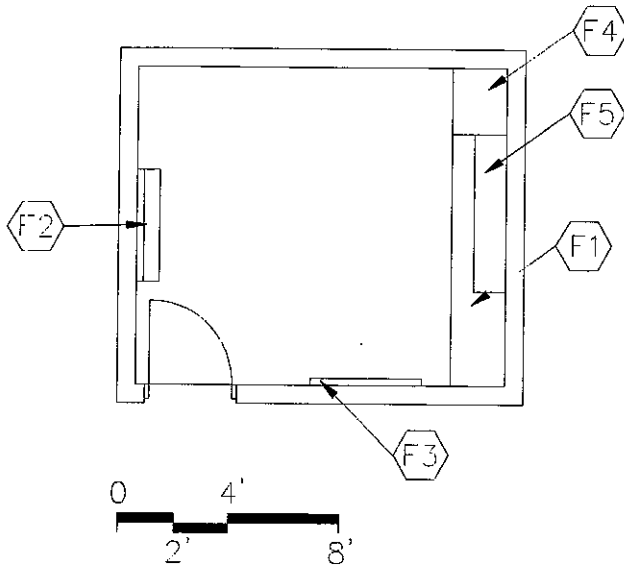
- Suspended, acoustical

Walls:

- Painted concrete masonry units

NOTES:

1. Electrical: duplex receptacles; multi-level switching
2. Technology: video port, data port, voice port & phone; data ports for students; clock; LCD projector; printer; scanner; video camera; television with supports; VCR or DVD player



FEATURES:

Fixed Equipment:

- F1 Work surface with file drawers
- F2 Chalk/marker board
- F3 Tack board
- F4 Tall wardrobe
- F5 Wall cabinets

LOOSE FURNISHINGS:

- Desk and chair
- Computer desk return
- Visitor chairs
- Wastebasket

FINISHES:

Flooring:

Carpet

Base:

Resilient base

Ceiling:

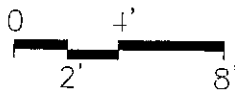
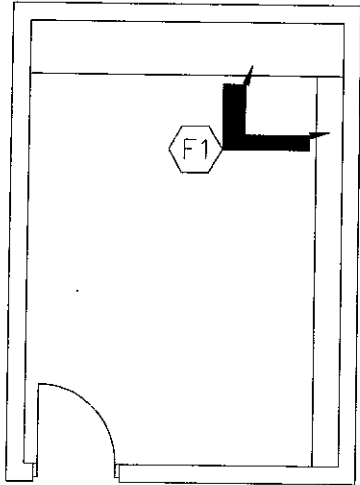
Suspended, acoustical

Walls:

Painted gypsum wallboard
over metal studs

NOTES:

1. Electrical: duplex receptacles; single-level switching
2. Technology: each data port, video port, voice port & phone; clock



FEATURES:

Fixed Equipment:

F1 Open metal shelving

LOOSE FURNISHINGS:

N/A

FINISHES:

Flooring:

Sealed concrete

Base:

Resilient base

Ceiling:

Suspended, acoustical or

Painted, exposed structure

Walls:

Painted concrete masonry units

NOTES:

1. Electrical: duplex receptacle; single-level switching

Program Description:
Program involves instruction in ROTC programs.

FEATURES: Fixed
Equipment:
Chalk/marker board
Tack board
Tall storage cabinets
Pencil sharpener support

LOOSE FURNISHINGS:
Student tables and chairs
Wastebasket
Pencil sharpener

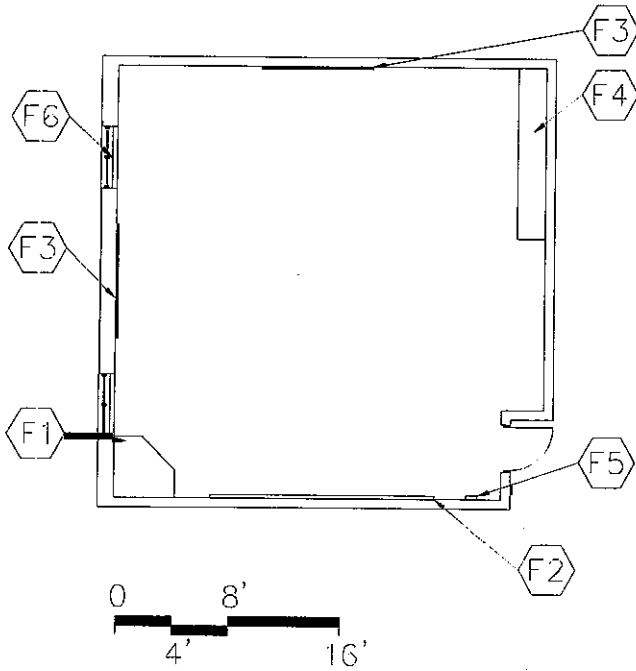
FINISHES:

Flooring:
Resilient

Base:
Resilient base
Ceiling:
Suspended, acoustical
Walls:
Painted concrete masonry units

NOTES:

1. Electrical: duplex receptacles; multi-level switching
2. Technology: video port, data port, voice port & phone; clock



- F1 Tall wardrobe w/file drawers
- F2 Chalk/marker board
- F3 Tack board
- F4 Base & wall cabinets
- F5 Pencil sharpener support
- F6 Windows with integral blinds

LOOSE FURNISHINGS:

- Student desks and chairs
- Computer workstation furniture
- Teacher workstation/computer support and chair
- File cabinet
- Low bookcases (fixed or mobile)
- Wastebasket
- Pencil sharpener
- Instructional microscope
- Media cart

FINISHES:

Flooring:

- Carpet
- Optional: All resilient

Base:

- Resilient base

Ceiling:

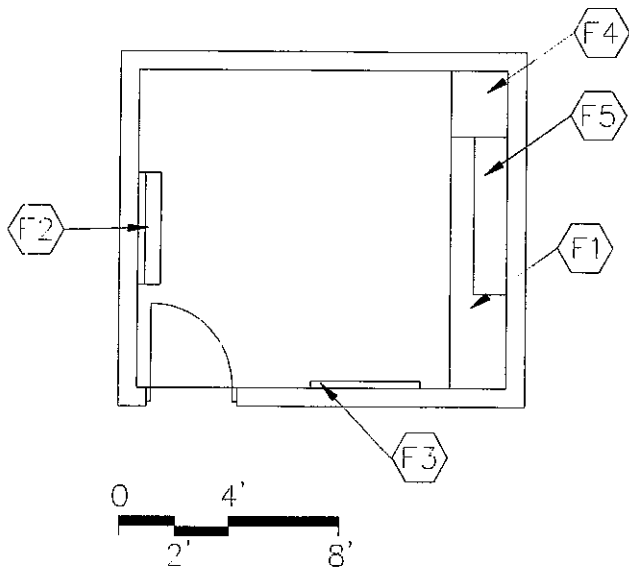
- Suspended, acoustical

Walls:

- Painted concrete masonry units

NOTES:

1. Electrical: duplex receptacles; multi-level switching
2. Technology: video port, data port, voice port & phone; data ports for students; clock; LCD projector; printer; scanner; video camera; television with supports; VCR or DVD player



FEATURES:

Fixed Equipment:

- F1 Work surface with file drawers
- F2 Chalk/marker board
- F3 Tack board
- F4 Tall wardrobe
- F5 Wall cabinets

LOOSE FURNISHINGS:

- Desk and chair
- Computer desk return
- Visitor chairs
- Wastebasket

FINISHES:

Flooring:

Carpet

Base:

Resilient base

Ceiling:

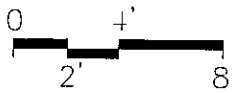
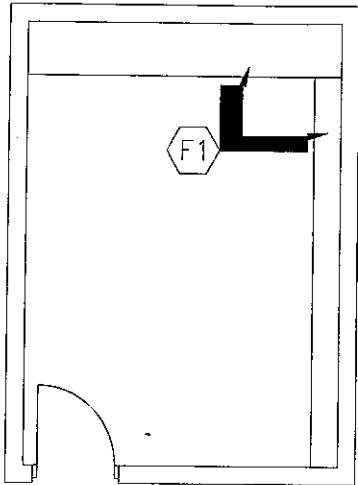
Suspended, acoustical

Walls:

Painted gypsum wallboard
over metal studs

NOTES:

1. Electrical: duplex receptacles; single-level switching
2. Technology: data port, video port, voice port & phone; clock



FEATURES:

Fixed Equipment:

F1 Open metal shelving

LOOSE FURNISHINGS:

N/A

FINISHES:

Flooring:

Sealed concrete

Base:

Resilient base

Ceiling:

Suspended, acoustical or
Painted, exposed structure

Walls:

Painted concrete masonry units

NOTES:

1. Electrical: duplex receptacle; single-level switching

Program Description:

Program involves instruction for direct nursing care . Instruction includes safety and infection control, first aid and COR, legal and ethical responsibilities, treatments and procedures, basic care, and early treatment of disease.

FEATURES:

Fixed Equipment:
 Chalk/marker board
 Tack board
 Tall storage cabinets
 Pencil sharpener support
 Sink base cabinets
 Towel dispenser
 Soap dispenser

LOOSE FURNISHINGS:

Student tables and chairs
 Teacher station and chair
 Wastebasket
 Pencil sharpener

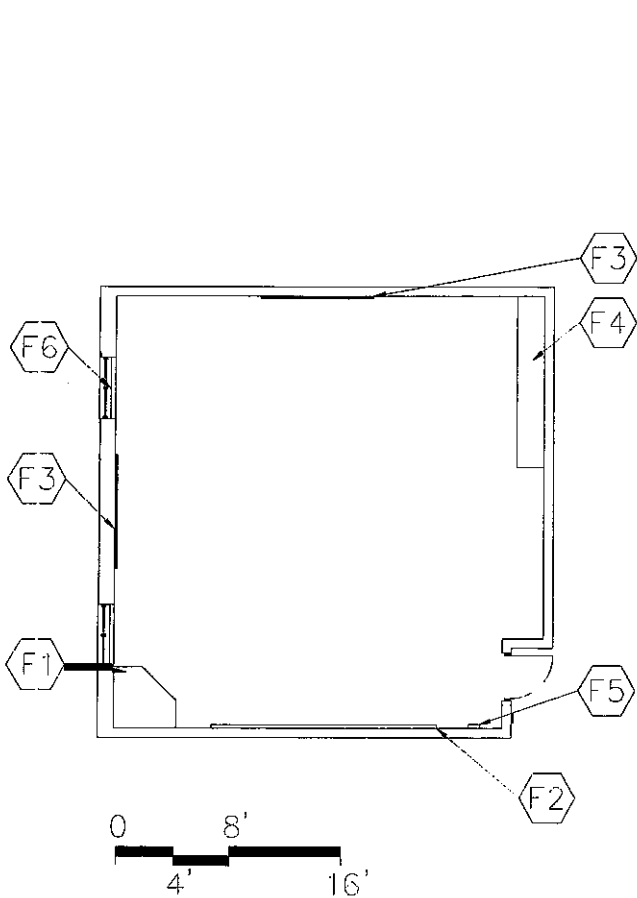
FINISHES:

Flooring:
 Resilient

Base:
 Resilient base
 Ceiling:
 Suspended, acoustical
 Walls:
 Painted concrete masonry units

NOTES:

1. Electrical: duplex receptacles; multi-level switching
2. Technology: video port, data port, voice port & phone; clock
3. Plumbing: Sinks



- F1 Tall wardrobe w/file drawers
- F2 Chalk/marker board
- F3 Tack board
- F4 Base & wall cabinets
- F5 Pencil sharpener support
- F6 Windows with integral blinds

- LOOSE FURNISHINGS:**
- Student desks and chairs
 - Computer workstation furniture
 - Teacher workstation/computer support and chair
 - File cabinet
 - Low bookcases (fixed or mobile)
 - Wastebasket
 - Pencil sharpener
 - Instructional microscope
 - Media cart

FINISHES:

Flooring:

- Carpet
- Optional: All resilient

Base:

- Resilient base

Ceiling:

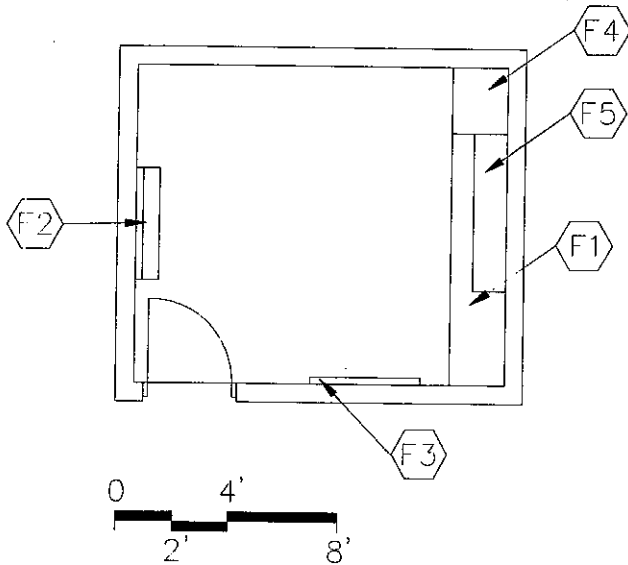
- Suspended, acoustical

Walls:

- Painted concrete masonry units

NOTES:

1. Electrical: duplex receptacles; multi-level switching
2. Technology: video port, data port, voice port & phone; data ports for students; clock; LCD projector; printer; scanner; video camera; television with supports; VCR or DVD player



FEATURES:

Fixed Equipment:

- F1 Work surface with file drawers
- F2 Chalk/marker board
- F3 Tack board
- F4 Tall wardrobe
- F5 Wall cabinets

LOOSE FURNISHINGS:

- Desk and chair
- Computer desk return
- Visitor chairs
- Wastebasket

FINISHES:

Flooring:

Carpet

Base:

Resilient base

Ceiling:

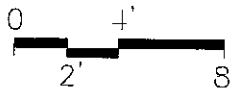
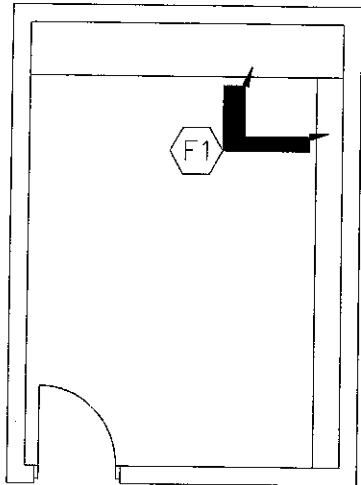
Suspended, acoustical

Walls:

Painted gypsum wallboard
over metal studs

NOTES:

1. Electrical: duplex receptacles; single-level switching
2. Technology: data port, video port, voice port & phone; clock



FEATURES:
Fixed Equipment:
F1 Open metal shelving

LOOSE FURNISHINGS:
N/A

FINISHES:
Flooring:
Sealed concrete

Base:
Resilient base
Ceiling:
Suspended, acoustical or
Painted, exposed structure
Walls:
Painted concrete masonry units

NOTES:

1. Electrical: duplex receptacle; single-level switching

Program Description:

Program involves training designed to assist the police department in solving a case hypotheses, and keeping good records of everything is essential.

FEATURES:

Fixed Equipment:

- Chalk/marker board
- Tack board
- Tall storage cabinets
- Pencil sharpener support
- Sink base cabinets
- Towel dispenser
- Soap dispenser
- Windows with integral blinds

LOOSE FURNISHINGS:

- Student tables and chairs
- Teacher station and chair
- Wastebasket
- Pencil sharpener

FINISHES:

Flooring:

Resilient

Base:

Resilient base

Ceiling:

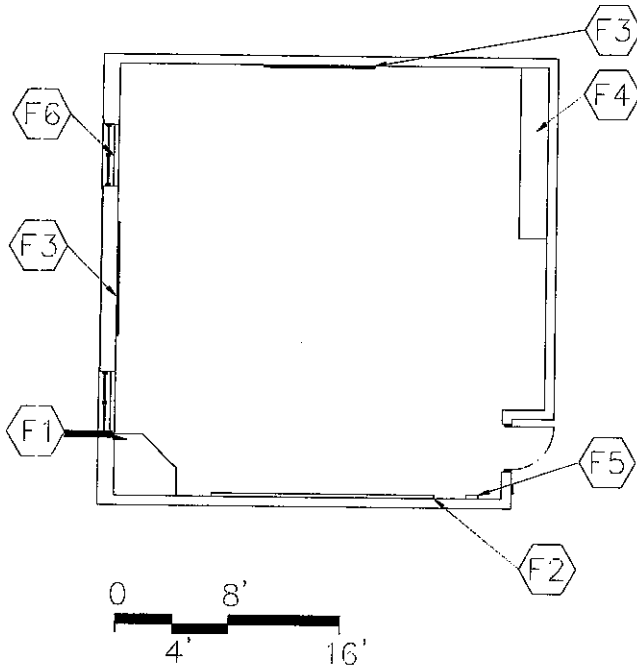
Suspended, acoustical

Walls:

Painted concrete masonry units

NOTES:

1. Electrical: duplex receptacles; multi-level switching; fluorescent lighting
2. Technology: video port, voice port & phone; clock; data ports; overhead projector
3. Plumbing: Sinks



- F1 Tall wardrobe w/file drawers
- F2 Chalk/marker board
- F3 Tack board
- F4 Base & wall cabinets
- F5 Pencil sharpener support
- F6 Windows with integral blinds

LOOSE FURNISHINGS:

- Student desks and chairs
- Computer workstation furniture
- Teacher workstation/computer support and chair
- File cabinet
- Low bookcases (fixed or mobile)
- Wastebasket
- Pencil sharpener
- Instructional microscope
- Media cart

FINISHES:

Flooring:

- Carpet
- Optional: All resilient

Base:

- Resilient base

Ceiling:

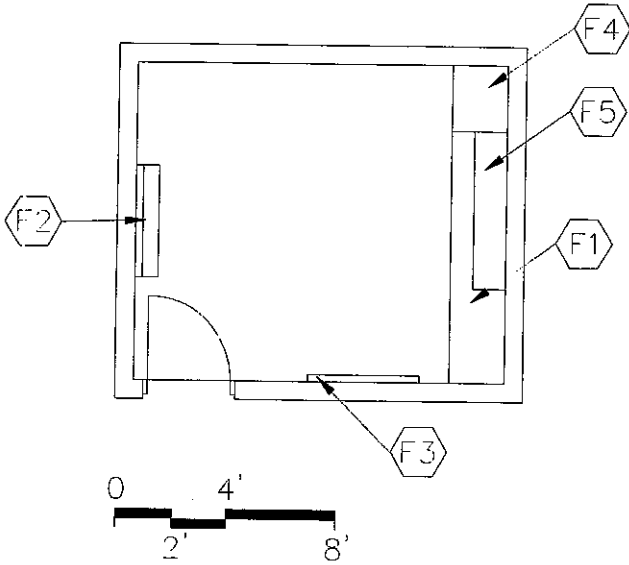
- Suspended, acoustical

Walls:

- Painted concrete masonry units

NOTES:

1. Electrical: duplex receptacles; multi-level switching
2. Technology: video port, data port, voice port & phone; data ports for students; clock; LCD projector; printer; scanner; video camera; television with supports; VCR or DVD player



FEATURES:

Fixed Equipment:

- F1 Work surface with file drawers
- F2 Chalk/marker board
- F3 Tack board
- F4 Tall wardrobe
- F5 Wall cabinets

LOOSE FURNISHINGS:

- Desk and chair
- Computer desk return
- Visitor chairs
- Wastebasket

FINISHES:

Flooring:
Carpet

Base:

Resilient base

Ceiling:

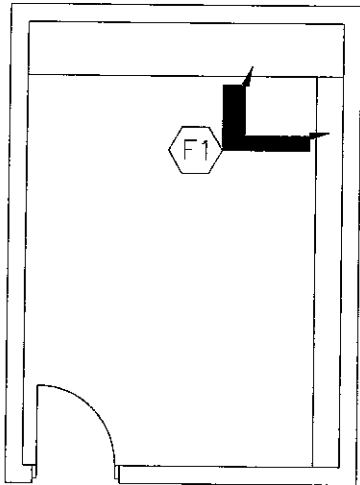
Suspended, acoustical

Walls:

Painted gypsum wallboard
over metal studs

NOTES:

1. Electrical: duplex receptacles; single-level switching
2. Technology: data port, video port, voice port & phone; clock



FEATURES:

Fixed Equipment:

F1 Open metal shelving

LOOSE FURNISHINGS:

N/A

FINISHES:

Flooring:

Sealed concrete

Base:

Resilient base

Ceiling:

Suspended, acoustical or
Painted, exposed structure

Walls:

Painted concrete masonry units

NOTES:

1. Electrical: duplex receptacle; single-level switching

Program Description:

Students learn construction, maintenance, and repair of digital, analog, and microprocessor circuits in applications such as communications equipment, consumer equipment, and industrial equipment.

FEATURES:

- Fixed Equipment
- Chalk/marker board
- Tack board
- Base and wall cabinets
- Tall storage cabinets
- Pencil sharpener support
- Windows with integral blinds

LOOSE FURNISHINGS:

- Worktables with storage below
- Stools or chairs
- Wastebasket
- Pencil sharpener

FINISHES:

Flooring:

- Carpet
- Optional: Resilient

Base:

- Resilient base

Ceiling:

- Painted, exposed structure

Walls:

- Painted concrete masonry units

NOTES:

1. Electrical: duplex receptacles; multi-level switching; fluorescent lighting-parabolic lenses
2. Technology: video port, voice port and phone, data port (26) data ports; clock; overhead projector

Program Description:

Program instruction includes the mass production of products such as window frames, molding, trims, and panels; as well as the manufacturing of furniture, store fixtures, office furnishings. Students will learn to read blueprints, the identification and selection of woods and finishes; cutting, shaping, and assembling parts by using hand tools and woodworking machines; installing hardware; and refinishing furniture.

FEATURES: Fixed
 Equipment
 Chalk/marker board
 Tack board
 Tall storage cabinets
 Pencil sharpener support
 Towel dispensers
 Soap dispensers
 12'x14' motorized overhead sectional door to exterior
 3'x7' hollow metal mandoor to exterior
 Steel bollards at overhead door, both sides

LOOSE FURNISHINGS:
 Worktables with heavy-duty wooden tops
 Stools or chairs
 Wastebasket
 Pencil sharpener

FINISHES:

Flooring:
 Sealed concrete

Base:
 Resilient base
Ceiling:
 Painted, exposed structure
Walls:
 Painted concrete masonry units

NOTES:

1. Electrical: duplex receptacles; multi-level switching; high-intensity lighting
2. Technology: video port, voice port and phone; data ports; clock
3. Plumbing: Washfountain; trench drain; safety eyewash/shower; floor drains, utility sinks, hose bibbs; compressed air connections
4. HVAC: Dust collection system

Program Description:

Program instruction of the maintenance of machinery and mechanical equipment of an industrial plant or factory. Inspection, disassembly, repair, and reassembly of machines and equipment is included in the training experience.

FEATURES:

Fixed Equipment
Chalk/marker board
Tack board
Tall storage cabinets
Pencil sharpener support
Towel dispensers
Soap dispensers
12'x14' motorized overhead sectional door to exterior
3'x7' hollow metal mandoor to exterior
Steel bollards at overhead door, both sides

LOOSE FURNISHINGS:

Worktables with heavy-duty wooden tops
Stools or chairs
Wastebasket
Pencil sharpener

FINISHES:

Flooring:
Sealed concrete

Base:
Resilient base
Ceiling:
Painted, exposed structure
Walls:
Painted concrete masonry units

NOTES:

1. Electrical: duplex receptacles; multi-level switching; high-intensity lighting; 208b 3-phase service; 480v 3-phase service; 220v receptacles
2. Technology: video port, voice port and phone; data ports; clock
3. Plumbing: Washfountain; trench drain; safety eyewash/shower; floor drains, utility sinks, hose bibbs; compressed air connections
4. HVAC: Welding hood and exhaust

Program Description:

Program instruction through classroom and shop learning experiences for all aspects of shaping metal parts. Involves making computations relating to work dimensions, tooling, feeds, and speeds of machinery. Includes work on the bench, lathes, shapers, milling machines, grinders, drills, and gauges.

FEATURES:

Fixed Equipment
Chalk/marker board
Tack board
Tall storage cabinets
Pencil sharpener support
Towel dispensers
Soap dispensers
12'x14' motorized overhead sectional door to exterior
3'x7' hollow metal mandoor to exterior
Steel bollards at overhead door, both sides

LOOSE FURNISHINGS:

Worktables with heavy-duty wooden tops
Stools or chairs
Wastebasket
Pencil sharpener

FINISHES:

Flooring:
Sealed concrete

Base:

Resilient base

Ceiling:

Painted, exposed structure

Walls:

Painted concrete masonry units

NOTES:

1. Electrical: duplex receptacles; multi-level switching; high-intensity lighting; 480v 3-phase service; 220v receptacles
2. Technology: video port, voice port and phone; data ports; clock
3. Plumbing: Washfountain; trench drain; safety eyewash/shower; utility sinks; hose bibs; compressed air connections

Program Description:

Program instruction teaches the theory of electrical circuitry, simple gearing, linkages, and lubrication in the operation, maintenance, and repair of components.

FEATURES:

Fixed Equipment
 Chalk/marker board
 Tack board
 Tall storage cabinets
 Pencil sharpener support
 Towel dispensers
 Soap dispensers
 12'x14' motorized overhead sectional door to exterior
 3'x7' hollow metal mandoor to exterior
 Steel bollards at overhead door, both sides

LOOSE FURNISHINGS:

Worktables with heavy-duty wooden tops
 Stools or chairs
 Wastebasket
 Pencil sharpener

FINISHES:**Flooring:**

Sealed concrete

Base:

Resilient base

Ceiling:

Painted, exposed structure

Walls:

Painted concrete masonry units

NOTES:

1. Electrical: duplex receptacles; multi-level switching; high-intensity lighting; 220v receptacles
2. Technology: video port & video display device, voice port and phone; data ports; clock
3. Plumbing: Washfountain; trench drain; safety eyewash/shower; utility sinks; hose bibs; compressed air connections

Program Description:

Program instruction includes all types of metal welding, brazing, and flame cutting. Instruction includes properties of metals, blueprint reading, electrical principles, and mechanical drawing.

FEATURES:

- Fixed Equipment
- Chalk/marker board
- Tack board
- Tall storage cabinets
- Pencil sharpener support
- Towel dispensers
- Soap dispensers
- 12'x14' motorized overhead sectional door to exterior
- 3'x7' hollow metal mandoor to exterior
- Steel bollards at overhead door, both sides
- Overhead hoist crane

LOOSE FURNISHINGS:

- Worktables with heavy-duty metal tops
- Stools or chairs
- Wastebasket
- Pencil sharpener
- Steel tube storage rack
- Sheet steel storage rack

FINISHES:

Flooring:
Sealed concrete

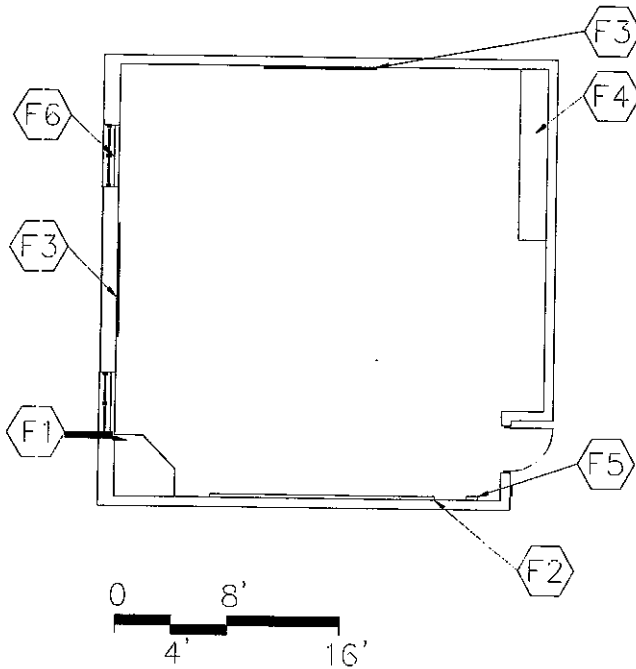
Base:
Resilient base

Ceiling:
Painted, exposed structure

Walls:
Painted concrete masonry units

NOTES:

1. Electrical: duplex receptacles; multi-level switching; high-intensity lighting; 220v receptacles; 480v 3 phase service
2. Technology: video port & video display device, voice port and phone; data ports; clock
3. Plumbing: Washfountain; trench drain; safety eyewash/shower; utility sinks; hose bibs; floor drains; compressed air connections
4. HVAC: Welding hood and exhaust



- F1 Tall wardrobe w/file drawers
- F2 Chalk/marker board
- F3 Tack board
- F4 Base & wall cabinets
- F5 Pencil sharpener support
- F6 Windows with integral blinds

- LOOSE FURNISHINGS:**
- Student desks and chairs
 - Computer workstation furniture
 - Teacher workstation/computer support and chair
 - File cabinet
 - Low bookcases (fixed or mobile)
 - Wastebasket
 - Pencil sharpener
 - Instructional microscope
 - Media cart

FINISHES:

Flooring:

- Carpet
- Optional: All resilient

Base:

- Resilient base

Ceiling:

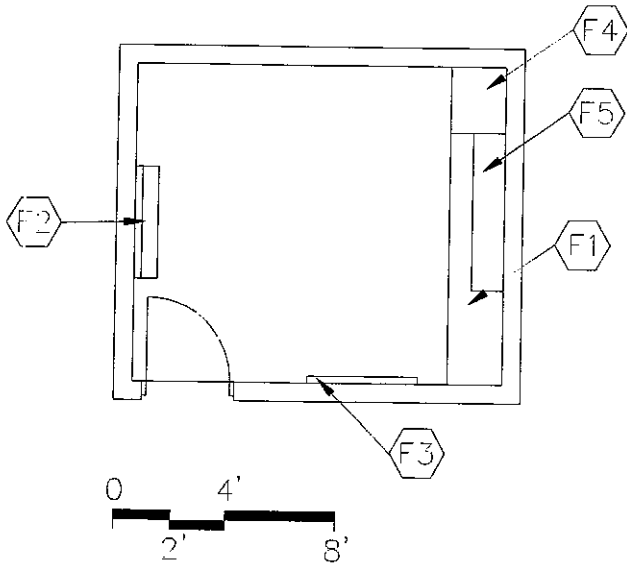
- Suspended, acoustical

Walls:

- Painted concrete masonry units

NOTES:

1. Electrical: duplex receptacles; multi-level switching
2. Technology: video port, data port, voice port & phone; data ports for students; clock; LCD projector; printer; scanner; video camera; television with supports; VCR or DVD player



FEATURES:

Fixed Equipment:

- F1 Work surface with file drawers
- F2 Chalk/marker board
- F3 Tack board
- F4 Tall wardrobe
- F5 Wall cabinets

LOOSE FURNISHINGS:

- Desk and chair
- Computer desk return
- Visitor chairs
- Wastebasket

FINISHES:

Flooring:

Carpet

Base:

Resilient base

Ceiling:

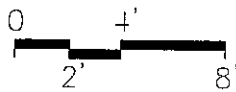
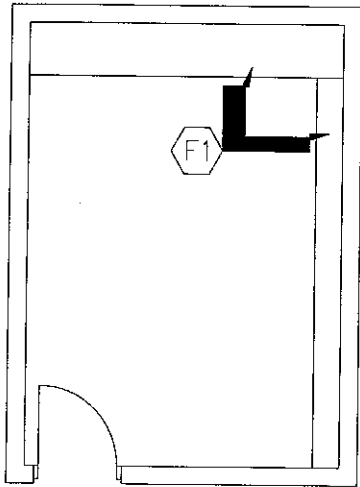
Suspended, acoustical

Walls:

Painted gypsum wallboard
over metal studs

NOTES:

1. Electrical: duplex receptacles; single-level switching
2. Technology: data port, video port, voice port & phone; clock



FEATURES:
Fixed Equipment:
F1 Open metal shelving

LOOSE FURNISHINGS:
N/A

FINISHES:

Flooring:
Sealed concrete

Base:
Resilient base
Ceiling:
Suspended, acoustical or
Painted, exposed structure
Walls:
Painted concrete masonry units

NOTES:

1. Electrical: duplex receptacle; single-level switching

Program Description:

Learning experiences include theory, lab, and shop work, as it relates to the gathering and translation of data or specifications; and the planning, preparation, and interpretation of mechanical and/or architectural drawings and sketches.

FEATURES:**Fixed Equipment:**

Tall wardrobe w/file drawers
Chalk/marker board
Tack board
Pencil sharpener support
Base & wall cabinets Tall storage cabinets
Windows with integral blinds

LOOSE FURNISHINGS:

Student chairs
Work tables
Computer workstation furniture
Teacher workstation/computer support and chair
File cabinet
Wastebasket
Pencil sharpener

FINISHES:**Flooring:**

Carpet
Optional: Resilient

Base:

Resilient base

Ceiling:

Suspended, acoustical

Walls:

Painted concrete masonry units

NOTES:

1. Electrical: duplex receptacles; multi-level switching; fluorescent lighting-parabolic lenses
2. Technology: video port, data port, voice port & phone; classroom area network (26 ports minimum); clock; overhead projector
3. Miscellaneous: Classroom area network file server; laser printer

Program Description:

Program provides instruction designed to prepare a person to gain entry level experiences in an engineering technology cluster program.

FEATURES:**Fixed Equipment:**

Tall wardrobe w/file drawers
Chalk/marker board
Tack board
Pencil sharpener support
Base & wall cabinets Tall storage cabinets
Windows with integral blinds

LOOSE FURNISHINGS:

Student chairs
Work tables
Computer workstation furniture
Teacher workstation/computer support and chair
File cabinet
Wastebasket
Pencil sharpener

FINISHES:**Flooring:**

Carpet
Optional: Resilient

Base:

Resilient base

Ceiling:

Suspended, acoustical

Walls:

Painted concrete masonry units

NOTES:

1. Electrical: duplex receptacles; multi-level switching; fluorescent lighting-parabolic lenses
2. Technology: video port, data port, voice port & phone; classroom area network (26 ports minimum); clock; overhead projector
3. Miscellaneous: Classroom area network file server; laser printer

Program Description:
 Program provides instruction in geographical information systems (GIS) with applications of map data.

FEATURES:
Fixed Equipment:
 Tall wardrobe w/file drawers
 Chalk/marker board
 Tack board
 Pencil sharpener support
 Base & wall cabinets
 Tall storage cabinets

LOOSE FURNISHINGS:
 Student chairs
 Work tables
 Computer workstation furniture
 Teacher workstation/computer support and chair
 File cabinet
 Wastebasket
 Pencil sharpener

FINISHES:
Flooring:
 Carpet
 Optional: Resilient

Base:
 Resilient base
Ceiling:
 Suspended, acoustical
Walls:
 Painted concrete masonry units

NOTES:

1. Electrical: duplex receptacles; multi-level switching; fluorescent lighting-parabolic lenses
2. Technology: video port, data port, voice port & phone; classroom area network (26 ports minimum); clock; overhead projector
3. Miscellaneous: Classroom area network file server; laser printer

Program Description:

Program provides instruction in beginning engineering areas. Broad exposure to areas such as civil, industrial, mechanical,

FEATURES:**Fixed Equipment:**

Tall wardrobe w/file drawers
Chalk/marker board
Tack board
Pencil sharpener support
Base & wall cabinets
Tall storage cabinets

LOOSE FURNISHINGS:

Student chairs
Work tables
Computer workstation furniture
Teacher workstation/computer support and chair
File cabinet
Wastebasket
Pencil sharpener

FINISHES:**Flooring:**

Carpet
Optional: Resilient

Base:

Resilient base

Ceiling:

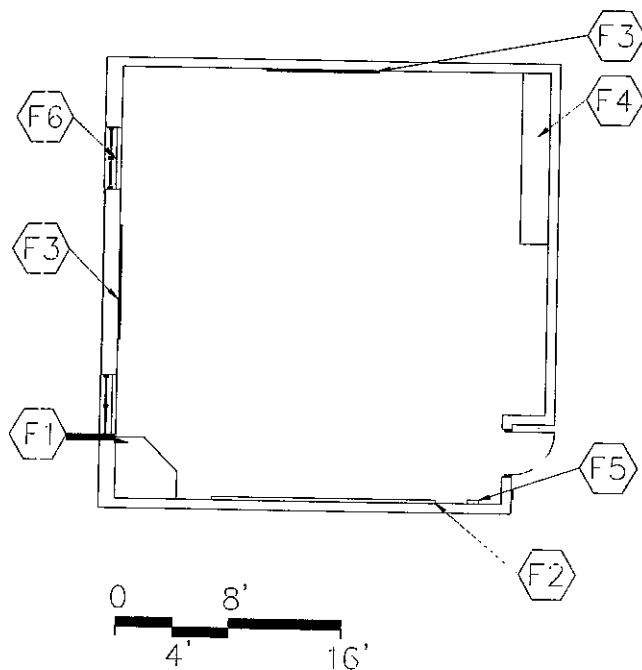
Suspended, acoustical

Walls:

Painted concrete masonry units

NOTES:

1. Electrical: duplex receptacles; multi-level switching; fluorescent lighting-parabolic lenses
2. Technology: video port, data port, voice port & phone; classroom area network (26 ports minimum); clock; overhead projector
3. Miscellaneous: Classroom area network file server



- F1 Tall wardrobe w/file drawers
- F2 Chalk/marker board
- F3 Tack board
- F4 Base & wall cabinets
- F5 Pencil sharpener support
- F6 Windows with integral blinds

LOOSE FURNISHINGS:

- Student desks and chairs
- Computer workstation furniture
- Teacher workstation/computer support and chair
- File cabinet
- Low bookcases (fixed or mobile)
- Wastebasket
- Pencil sharpener
- Instructional microscope
- Media cart

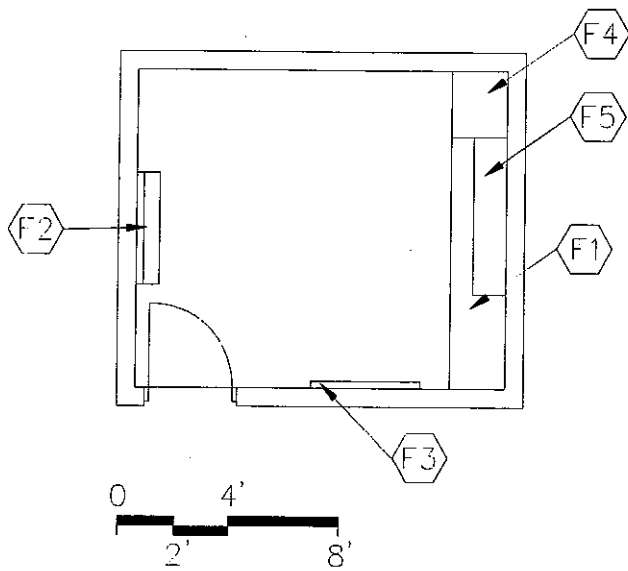
FINISHES:

- Flooring:**
 Carpet
 Optional: All resilient

- Base:**
 Resilient base
Ceiling:
 Suspended, acoustical
Walls:
 Painted concrete masonry units

NOTES:

1. Electrical: duplex receptacles; multi-level switching
2. Technology: video port, data port, voice port & phone; data ports for students; clock; LCD projector; printer; scanner; video camera; television with supports; VCR or DVD player



FEATURES:

Fixed Equipment:

- F1 Work surface with file drawers
- F2 Chalk/marker board
- F3 Tack board
- F4 Tall wardrobe
- F5 Wall cabinets

LOOSE FURNISHINGS:

- Desk and chair
- Computer desk return
- Visitor chairs
- Wastebasket

FINISHES:

Flooring:
Carpet

Base:

Resilient base

Ceiling:

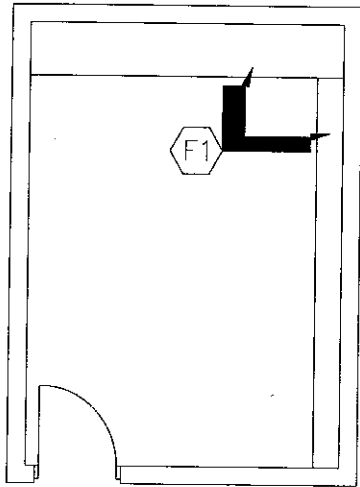
Suspended, acoustical

Walls:

Painted gypsum wallboard
over metal studs

NOTES:

1. Electrical: duplex receptacles; single-level switching
2. Technology: data port, video port, voice port & phone; clock



FEATURES:
Fixed Equipment:
F1 Open metal shelving

LOOSE FURNISHINGS:
N/A

FINISHES:
Flooring:
Sealed concrete

Base:
Resilient base
Ceiling:
Suspended, acoustical or
Painted, exposed structure
Walls:
Painted concrete masonry units

NOTES:

1. Electrical: duplex receptacle; single-level switching

Program Description:

Programs provide instruction of all phases of the repair of damaged bodies and fenders. Includes metal straightening by hammering; smoothing areas by filing, grinding, or sanding; concealment of imperfections; painting; and replacement of body components, including trim.

FEATURES: Fixed
Equipment
Chalk/marker board
Tack board
Tall storage cabinets
Pencil sharpener support
Paper towel dispensers
Soap dispensers
12'x14' motorized overhead sectional door to exterior
Steel bollards at overhead door, both sides
3'x7' hollow metal mandoor to exterior
Paint booth
Paint prep station
Paint mixing station
3 car lifts
2 frame racks

LOOSE FURNISHINGS:

Workbenches with heavy-duty metal tops
Stools or chairs
Wastebasket
Pencil sharpener

FINISHES:**Flooring:**

Sealed concrete

Base:

Resilient base

Ceiling:

Painted, exposed structure

Walls:

Painted concrete masonry units

NOTES:

1. Electrical: duplex receptacles; multi-level switching; 220-volt receptacles; high-intensity lighting
2. Technology: video port and video display device; voice port and phone; data ports; clock
3. Plumbing: washfountains, utility sinks, hose bibs; safety eyewash/shower; compressed air connections; floor drains; trench drain
4. HVAC: Paint booth supply and exhaust system

Program Description:

Programs provide instruction of all components of the vehicle, including engine, transmissions, steering, suspension, brakes, and electrical/electronic systems. Includes training through the use of diagnostic and testing equipment used in the repair process.

FEATURES: Fixed
 Equipment
 Chalk/marker board
 Tack board
 Tall storage cabinets
 Pencil sharpener support
 Paper towel dispensers
 Soap dispensers
 12'x14' motorized overhead sectional door to exterior
 Steel bollards at overhead door, both sides
 3'x7' hollow metal mandoor to exterior
 3 car lifts
 2 frame racks

LOOSE FURNISHINGS:

Workbenches with heavy-duty metal tops
 Stools or chairs
 Wastebasket
 Pencil sharpener

FINISHES:

Flooring:
 Sealed concrete

Base:
 Resilient base
Ceiling:
 Painted, exposed structure
Walls:
 Painted concrete masonry units

NOTES:

1. Electrical: duplex receptacles; multi-level switching; 220-volt receptacles; high-intensity lighting
2. Technology: video port and video display device; voice port and phone; data ports; clock
3. Plumbing: washfountains, utility sinks, hose bibs; safety eyewash/shower; compressed air connections; (4) floor drains; trench drain
4. HVAC: Vehicle exhaust system

Program Description:

Classroom and lab learning experiences for the inspection, repair, servicing, and overhauling of all airplane parts, including engines, propellers, instruments, airframes, fuel and oil tanks, control cables, and hydraulic units.

FEATURES: Fixed
Equipment
Chalk/marker board
Tack board
Tall storage cabinets
Pencil sharpener support
Paper towel dispensers
Soap dispensers
35'x45' motorized overhead door
Steel bollards at overhead door, both sides
3'x7' hollow metal mandoor to exterior

LOOSE FURNISHINGS:

Workbenches with heavy-duty metal tops
Stools or chairs
Wastebasket
Pencil sharpener

FINISHES:**Flooring:**

Sealed concrete

Base:

Resilient base

Ceiling:

Painted, exposed structure

Walls:

Painted concrete masonry units

NOTES:

1. Electrical: duplex receptacles; multi-level switching; 220-volt receptacles; high-intensity lighting
2. Technology: video port and video display device, voice port and phone; data ports; clock
3. Plumbing: washfountains, utility sinks; (3) hose bibs; safety eyewash/shower; compressed air connections; floor drain/trench drain
4. HVAC: Vehicle exhaust system

Program Description:

Program provides instruction in avionics, which includes computer experience in determining wind and weather information.

FEATURES:**Fixed Equipment:**

Tall wardrobe w/file drawers
Chalk/marker board
Tack board
Pencil sharpener support
Base cabinets
Tall storage cabinets

LOOSE FURNISHINGS:

Student chairs
Work tables
Computer workstation furniture
Teacher workstation/computer support and chair
File cabinet
Wastebasket
Pencil sharpener

FINISHES:**Flooring:**

Carpet
Optional: Resilient

Base:

Resilient base

Ceiling:

Suspended, acoustical

Walls:

Painted concrete masonry units

NOTES:

1. Electrical: duplex receptacles; multi-level switching; fluorescent lighting-parabolic lenses
2. Technology: video port, data port, voice port & phone; classroom area network (26 ports minimum); clock; LCD projector; digital camera; scanner; television; VCR/DVD player
3. Miscellaneous: Classroom area network file server

Program Description:

Program prepares individuals in the service and repair of truck vehicles. Instruction includes diagnosis, maintenance, and repair of diesel engines; including the drive train, suspension, brakes, hydraulic units, cooling systems, and electrical systems.

FEATURES: Fixed
 Equipment
 Chalk/marker board
 Tack board
 Tall storage cabinets
 Pencil sharpener support
 Paper towel dispensers
 Soap dispensers
 12'x14' motorized overhead door
 Steel bollards at overhead door, both sides
 3'x7' hollow metal mandoor to exterior
 3 truck lifts
 1 frame rack

LOOSE FURNISHINGS:

Workbenches with heavy-duty metal tops
 Stools or chairs
 Wastebasket
 Pencil sharpener

FINISHES:

Flooring:
 Sealed concrete

Base:
 Resilient base
Ceiling:
 Painted, exposed structure
Walls:
 Painted concrete masonry units

NOTES:

1. Electrical: duplex receptacles; multi-level switching; 220-volt receptacles; high-intensity lighting
2. Technology: video port and video display device; voice port and phone; data ports; clock
3. Plumbing washfountains, utility sinks, hose bibs; safety eyewash/shower; compressed air connections; floor drains; trench drain
4. HVAC: Vehicle exhaust system

Program Description:

Program prepares individuals in the service and repair of portable power equipment, e.g., lawnmowers, motorboats, chainsaws, and rototillers. Includes principles of internal-combustion engine operation, reading technical manuals, and customer relations.

FEATURES: Fixed
 Equipment
 Chalk/marker board
 Tack board
 Tall storage cabinets
 Pencil sharpener support
 Paper towel dispensers
 Soap dispensers
 12'x14' motorized overhead door
 Steel bollards at overhead door, both sides
 3'x7' hollow metal mandoor to exterior

LOOSE FURNISHINGS:

Workbenches with heavy-duty metal tops
 Stools or chairs
 Wastebasket
 Pencil sharpener
 Welding tables

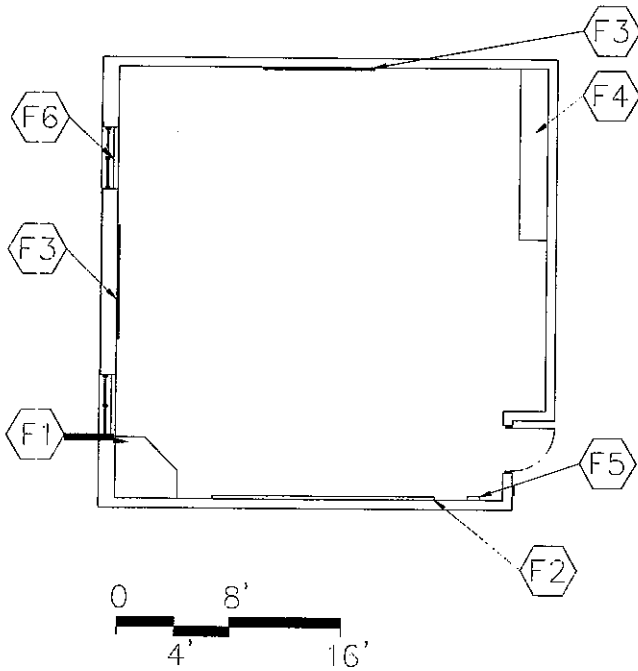
FINISHES:

Flooring:
 Sealed concrete

Base:
 Resilient base
Ceiling:
 Painted, exposed structure
Walls:
 Painted concrete masonry units

NOTES:

1. Electrical: duplex receptacles; multi-level switching; 220-volt receptacles; high-intensity lighting
2. Technology: video port and video display device; voice port and phone; data ports; clock
3. Plumbing: washfountains, utility sinks, hose bibs; safety eyewash/shower; compressed air connections; floor drains; trench drain
4. HVAC: Welding hood and exhaust



- F1 Tall wardrobe w/file drawers
- F2 Chalk/marker board
- F3 Tack board
- F4 Base & wall cabinets
- F5 Pencil sharpener support
- F6 Windows with integral blinds

LOOSE FURNISHINGS:

- Student desks and chairs
- Computer workstation furniture
- Teacher workstation/computer support and chair
- File cabinet
- Low bookcases (fixed or mobile)
- Wastebasket
- Pencil sharpener
- Instructional microscope
- Media cart

FINISHES:

Flooring:

- Carpet
- Optional: All resilient

Base:

- Resilient base

Ceiling:

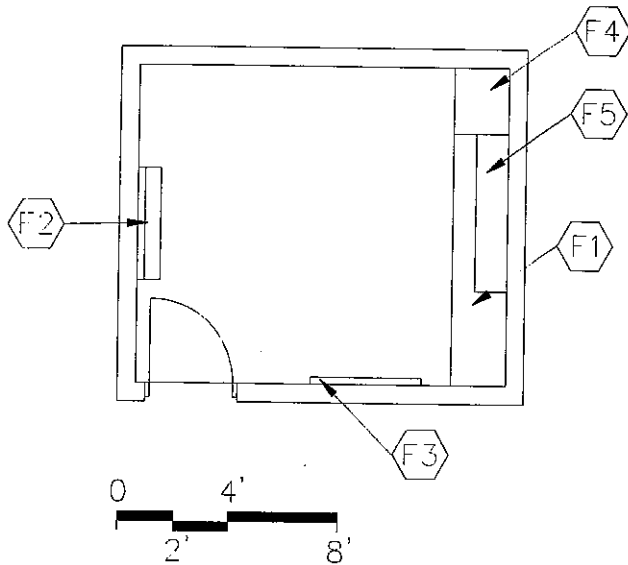
- Suspended, acoustical

Walls:

- Painted concrete masonry units

NOTES:

1. Electrical: duplex receptacles; multi-level switching
2. Technology: video port, data port, voice port & phone; data ports for students; clock; LCD projector; printer; scanner; video camera; television with supports; VCR or DVD player



FEATURES:

Fixed Equipment:

- F1 Work surface with file drawers
- F2 Chalk/marker board
- F3 Tack board
- F4 Tall wardrobe
- F5 Wall cabinets

LOOSE FURNISHINGS:

- Desk and chair
- Computer desk return
- Visitor chairs
- Wastebasket

FINISHES:

Flooring:
Carpet

Base:

Resilient base

Ceiling:

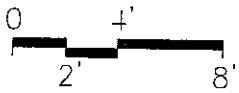
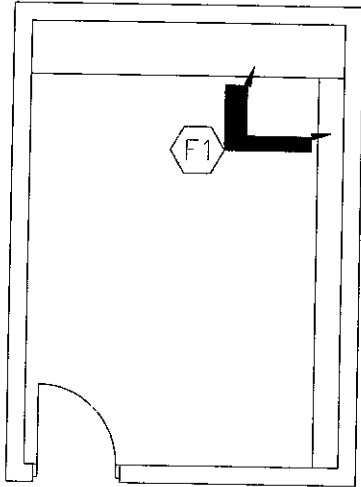
Suspended, acoustical

Walls:

Painted gypsum wallboard
over metal studs

NOTES:

1. Electrical: duplex receptacles; single-level switching
2. Technology: data port, video port, voice port & phone; clock



FEATURES:

Fixed Equipment:

F1 Open metal shelving

LOOSE FURNISHINGS:

N/A

FINISHES:

Flooring:

Sealed concrete

Base:

Resilient base

Ceiling:

Suspended, acoustical or

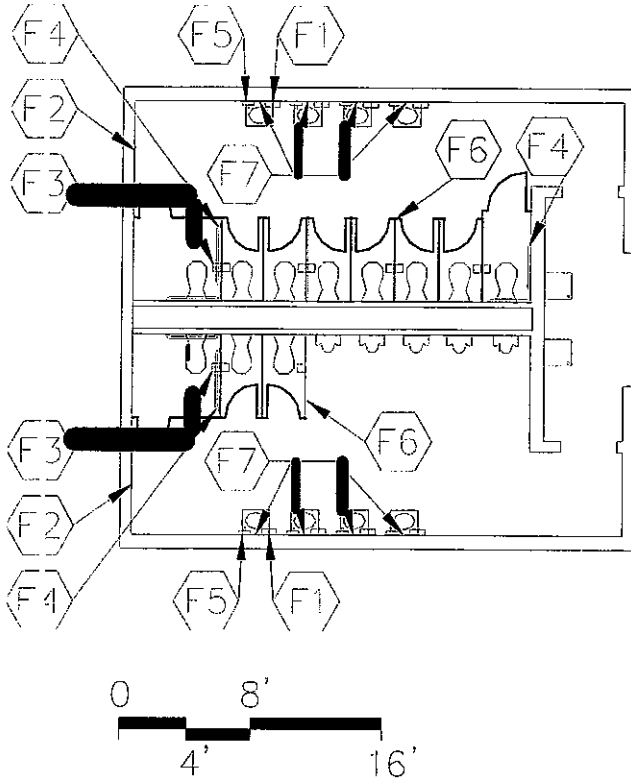
Painted, exposed structure

Walls:

Painted concrete masonry units

NOTES:

1. Electrical: duplex receptacle; single-level switching



FEATURES:

Fixed Equipment:

- F1 Towel dispenser
- F2 24" x 60" mirror
- F3 Toilet tissue holder
- F4 36" and 42" grab bar
- F5 Soap dispenser
- F6 Toilet partitions
- F7 16" x 24" mirrors

LOOSE FURNISHINGS:

- Waste receptacles

FINISHES:

Flooring:

- Ceramic mosaic tile
- Optional: porcelain tile or terrazzo tile

Base:

- Ceramic mosaic tile base
- Optional: Structural glazed tile base or porcelain tile base

Ceiling:

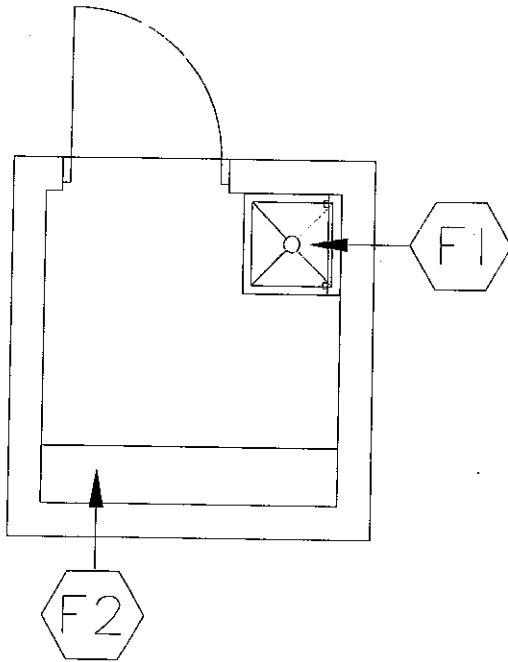
- Suspended, acoustical
- Option: Abuse-resistant gypsum wallboard

Walls:

- Painted concrete masonry units

NOTES:

1. Plumbing: water closets, urinals, lavatories, and hydrants; water coolers; floor drains
2. Electrical: Single-level switching; duplex receptacle



FEATURES:
Fixed Equipment:
 F1 Mop holder
 F2 Wall cabinets

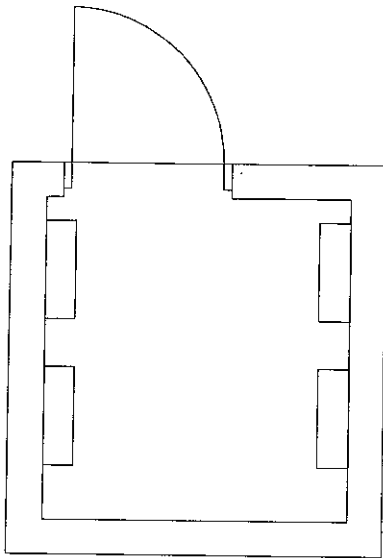
LOOSE FURNISHINGS:
 NA

FINISHES:
Flooring:
 Sealed concrete

Base:
 Resilient base
Ceiling:
 Painted structure
Walls:
 Painted concrete masonry units

NOTES:

1. Electrical: duplex receptacle; single-level switching
2. Plumbing: Service sink and floor drain sink



FEATURES:
Fixed Equipment:
NA

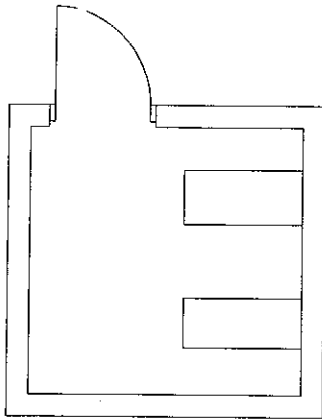
LOOSE FURNISHINGS:
NA

FINISHES:
Flooring:
Sealed concrete

Base:
Resilient base
Ceiling:
Exposed, painted structure
Walls:
Painted concrete masonry units

NOTES:

1. Electrical: duplex receptacle; single-level switching; electrical switchgear



FEATURES:
Fixed Equipment:
NA

LOOSE FURNISHINGS:
NA

FINISHES:

Flooring:
Sealed concrete

Base:
Resilient base
Ceiling:
Exposed, painted structure
Walls:
Painted concrete masonry units

NOTES:

1. Electrical: duplex receptacle; single-level switching; telecommunications grounding
2. Technology: Technology equipment; plywood backboard

Corridors shall be a minimum of 8 feet wide.

Corridors are to meet the egress requirements applicable codes.

Instructional and activity areas shall be accessible by corridors without passing through another instructional or activity area.

Area of vestibules is to be included within area allotted for corridors.

Width of vestibules can be no less than minimum width of adjacent corridor.

Minimum corridor length recommended is 8 feet between doors.

Vestibules are to be provided at major entrances/exits.

FEATURES:**Fixed Equipment:**

Fire extinguishers and cabinets
Recessed vinyl floor mats or surface mats

LOOSE FURNISHINGS:

Recycling bins and waste receptacles

FINISHES:**Flooring:**

Resilient, porcelain tile, or terrazzo

NOTE: At entries adjacent to dining/commons area, match dining/commons flooring.

Base:

Resilient base (option: structural glazed tile)

Ceiling:

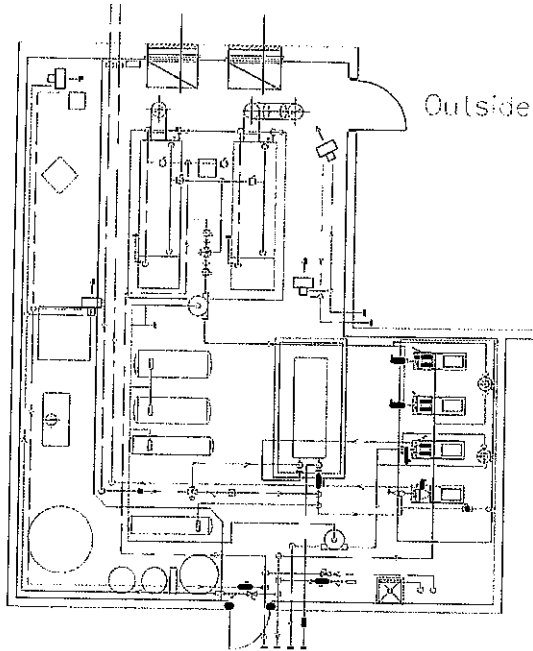
Suspended, acoustical
Option in vestibules: abuse-resistant gypsum wallboard

Walls:

Painted concrete masonry units

NOTES:

1. Electrical: Duplex receptacles; dual-level switching
2. Technology: Clocks, wireless access points; video ports
3. Plumbing: Drinking water coolers
4. Miscellaneous: Display cases



FEATURES:
Fixed Equipment:
To be determined by Design Professional

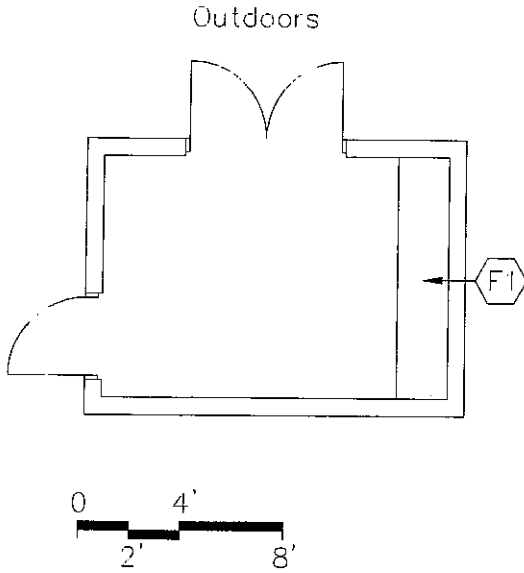
LOOSE FURNISHINGS:
NA

FINISHES:
Flooring:
Sealed concrete

Base:
Resilient base
Ceiling:
Exposed, painted structure
Walls:
Painted concrete masonry units
(option: can use metal panel on CMU or metal panel on metal framing wall system for penthouse)

NOTES:

1. Electrical: Dual-level switching; to be determined by Design Professional
2. Plumbing: To be determined by Design Professional



FEATURES:
Fixed Equipment:
F1 Open metal shelving

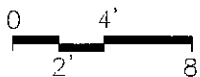
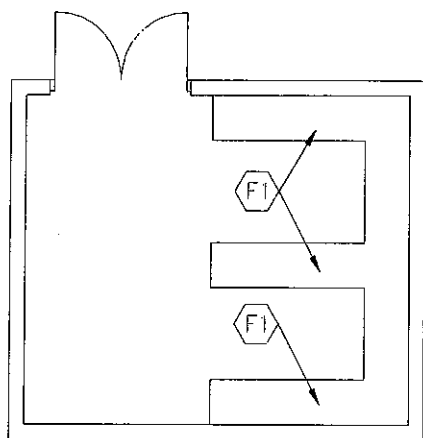
LOOSE FURNISHINGS:
NA

FINISHES:
Flooring:
Sealed concrete

Base:
Resilient base
Ceiling:
Exposed, painted structure
Walls:
Painted concrete masonry units

NOTES:

1. Electrical: Single-level switching; duplex receptacles



FEATURES:
Fixed Equipment:
F1 Open metal shelving

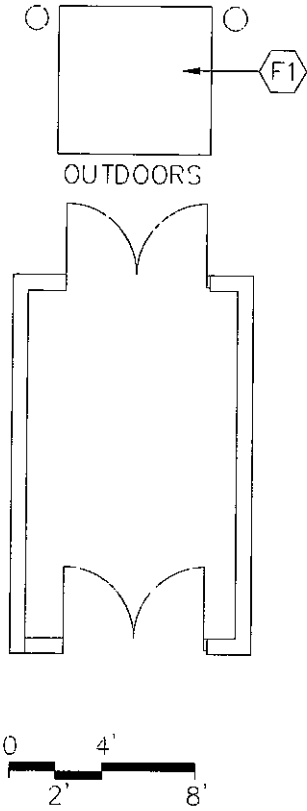
LOOSE FURNISHINGS:
NA

FINISHES:
Flooring:
Sealed concrete

Base:
Resilient base
Ceiling:
Exposed, painted structure
Walls:
Painted concrete masonry units

NOTES:

1. Electrical: Single-level switching; duplex receptacles



FEATURES:

Fixed Equipment:

F1 Loading dock leveler and dock bumpers

LOOSE FURNISHINGS:

NA

FINISHES:

Flooring:
Sealed concrete

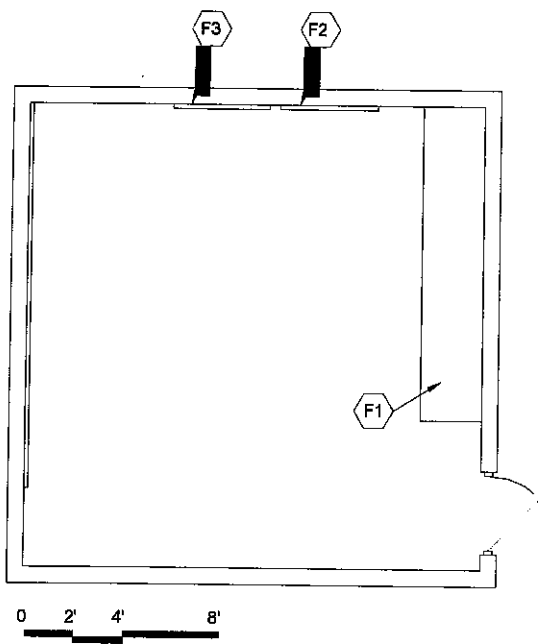
Base:
Resilient base

Ceiling:
Painted, exposed structure

Walls:
Painted concrete masonry units

NOTES:

1. Electrical: Single-level switching; duplex receptacles



FEATURES:
Fixed Equipment:
F1 Open metal shelving
F2 Tack board
F3 Chalk/marker board

LOOSE FURNISHINGS:
Desk and chair
Wastebasket

FINISHES:
Flooring:
Resilient

Base:
Resilient base
Ceiling:
Suspended, acoustical
Walls:
Painted concrete masonry units

NOTES:

1. Electrical: duplex receptacles; single-level switching; telecommunications grounding
2. Technology: data port, voice port & phone; technology equipment; plywood backboard
3. Miscellaneous: Provide distribution equipment with an equipment electrical ground.